

MODEL : BBT6312 4'6" BED

ASSEMBLY INSTRUCTIONS

Read this instruction carefully. See hardware and furniture part list for guidance. Be sure all parts are complete, before you assemble. Place all wooden furniture parts on a clean and flat soft surface to prevent from being scratched. Follow the figure to start assembling.

- CAUTIONS :**
1. Do not FULLY - TIGHTEN the nut or bolt until all nut or bolt is ready assembled.
 2. Do not OVER - TIGHTEN the nut or bolt to avoid causing damages to the thread.
 3. Keep all hardware parts out of reach of children.

NOTE : THE LIST AND QUANTITY SHOWN ARE FOR 1 UNIT ASSEMBLY.

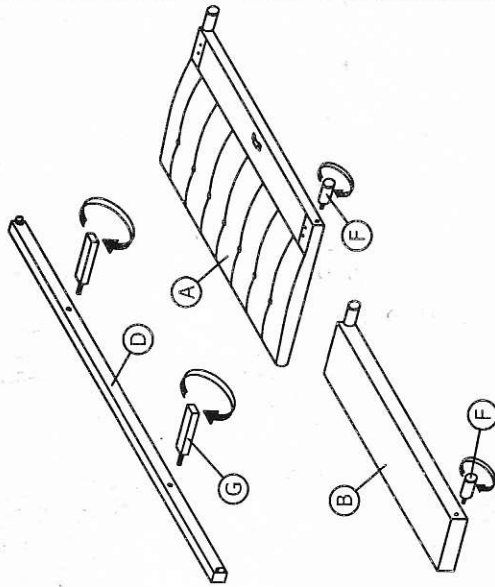
PART LIST

ITEM	DESCRIPTION	QTY
A	HEADBOARD	1 PC
B	FOOTBOARD	1 PC
C	SIDE RAIL	2 PCS
D	CENTEL RAIL	1 PC
E	CENTEL SUPPORT	2 PCS
F	BED LEG	2 PCS
G	CENTER SUPPORT LEG	2 PCS
H	BED SLAT	24 PCS

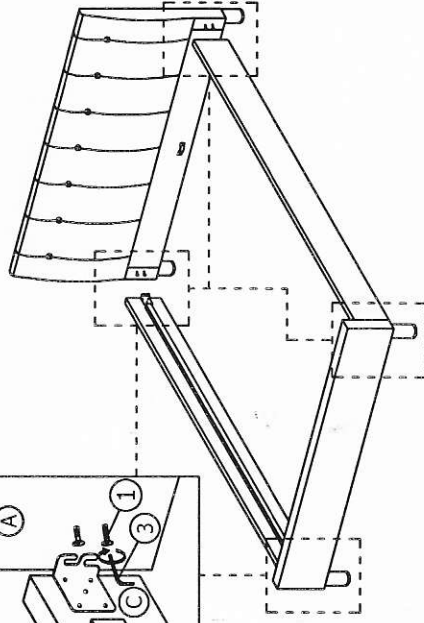
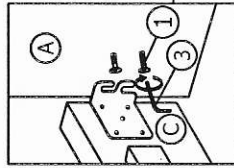
PART LIST

ITEM	DESCRIPTION	QTY
1	JCBB BOLT M8 x 30mm	8 PCS
2	WOOD SCREW M3.5 x 16mm	8 PCS
3	M5 ALLEN KEY	1 PC
4	BED SLAT SIDE FITTER	24 PCS
5	BED SLAT CENTER FITTER	12 PCS

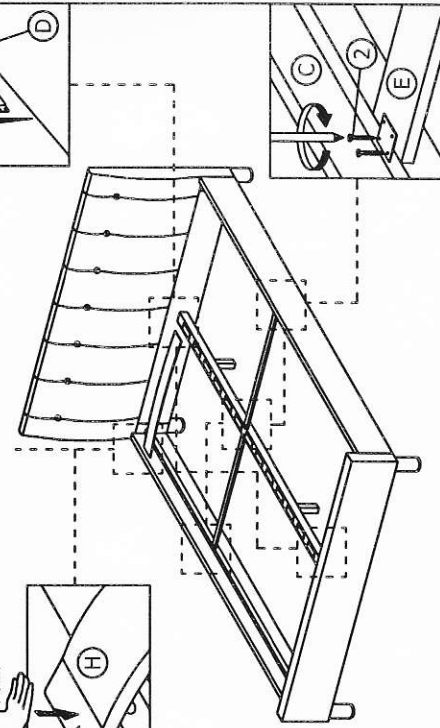
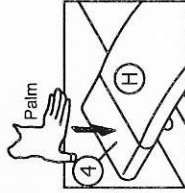
STEP 1



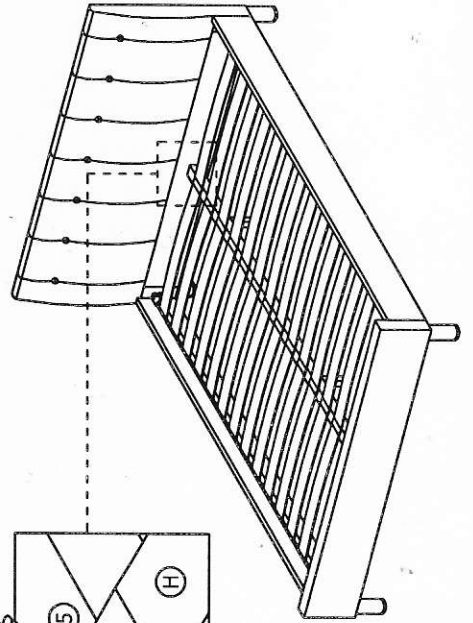
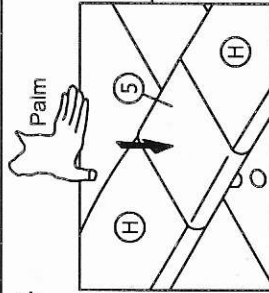
STEP 2



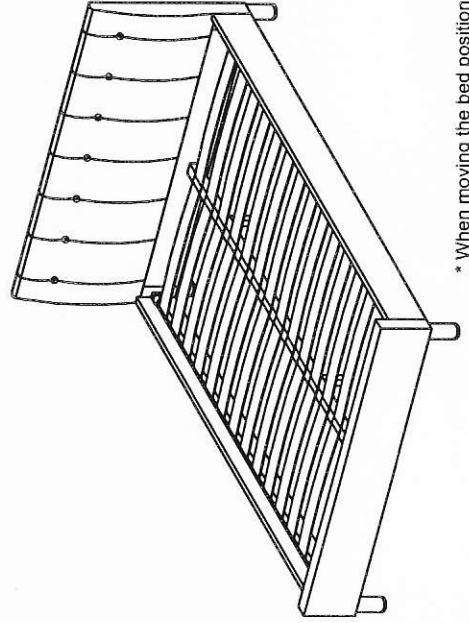
STEP 3



STEP 4



STEP 5



* When moving the bed position, the center support legs must be adjust to avoid any broken problem.