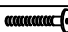

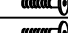
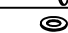
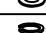
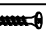




Read this instruction carefully. See hardware and furniture part list for guidance. Be sure all parts are complete, before you assemble. Place all wooden furniture parts on a clean and flat soft surface to prevent from being scratched. Follow the figure to start assembling.

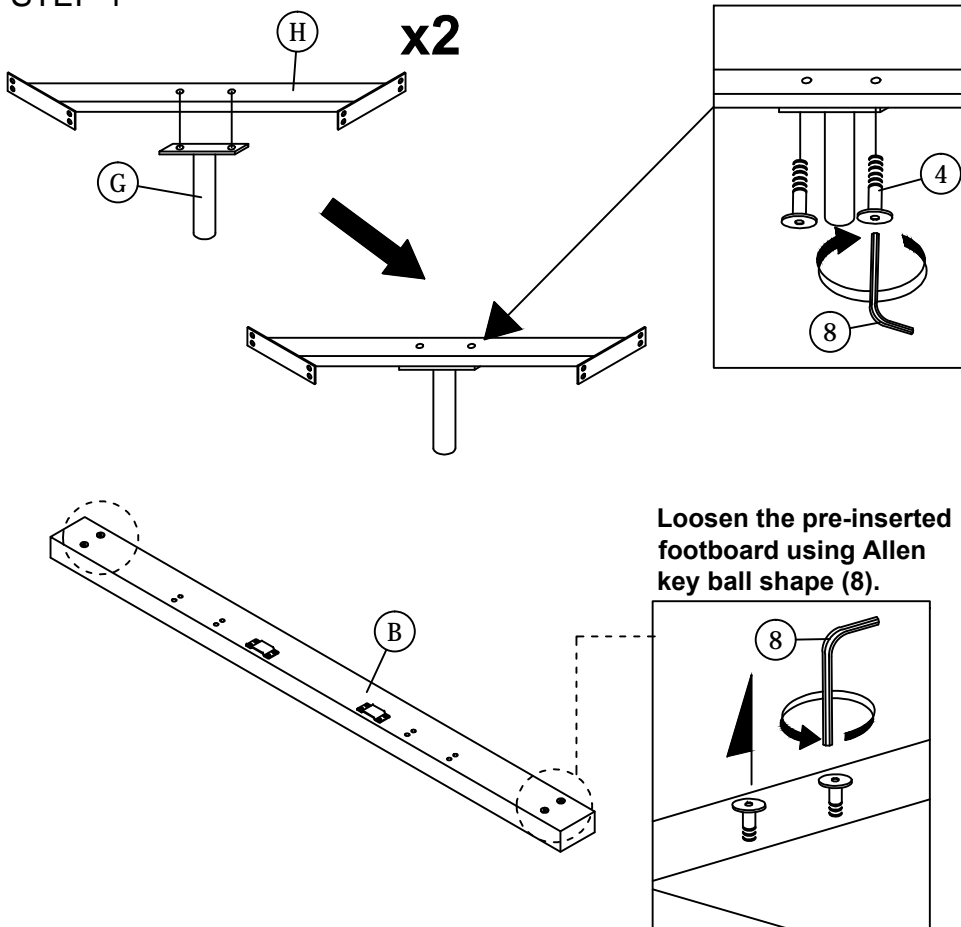
**CAUTIONS :** 1. Do not FULLY - TIGHTEN the nut or nut bolt until all nut or bolt is ready assembled.  
 2. Do not OVER - TIGHTEN the nut or bolt to avoid causing damages to the thread.  
 3. Keep all hardware parts out of reach of children.

**NOTE :** THE LIST AND QUANTITY SHOWN ARE FOR 1 UNIT ASSEMBLY.  
 Tool needed : Screwdriver (not provider).

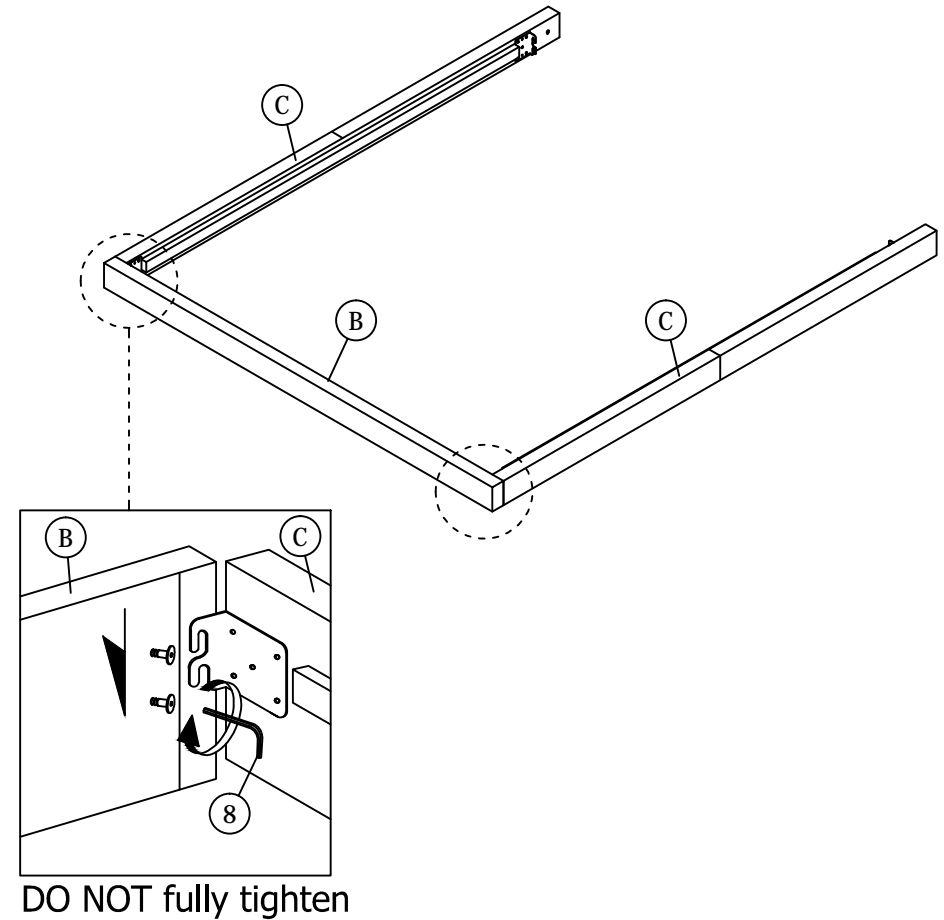
PART LIST			
ITEM	DESCRIPTION	BOX	QTY
A	HEADBOARD	1	1 PC
B	FOOTBOARD	2	1 PC
C	SIDE RAIL	2	2 PCS
D	CENTER RAIL	2	2 PCS
E	CENTER SUPPORT LEG	2	6 PCS
F	BED SLAT	1	1 SET
G	METAL LEG	3	2 PCS
H	METAL SUPPORT	3	2 PCS
I	HEADBOARD SUPPORT LEG	3	2 PCS

HARDWARE LIST (BOX : 2)			
ITEM	DESCRIPTION		QTY
1	JCBB BOLT M8 x 60mm		6 PCS
2	JCBB BOLT M8 x 40mm		16 PCS
3	JCBB BOLT M8 x 20mm		4 PCS
4	JCBB BOLT M8 x 20mm (BLACK)		4 PCS
5	M8 FLAT WASHER		22 PCS
6	M8 SPRING WASHER		22 PCS
7	WOOD SCREW M4 x 32mm		12 PCS
8	M5 ALLEN KEY (BALL SHAPE)		1 PC

## STEP 1



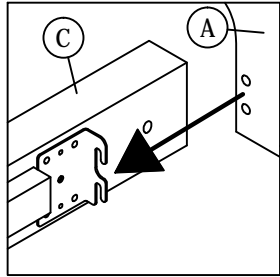
## STEP 2



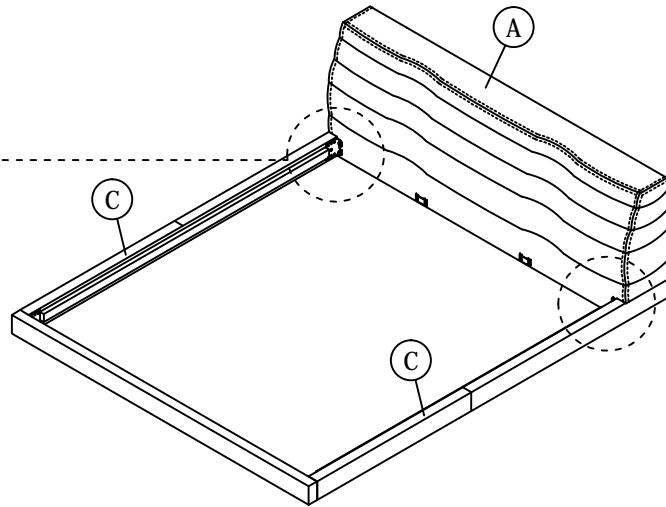
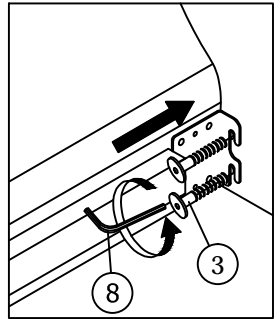
# ASSEMBLY INSTRUCTIONS

STEP 3

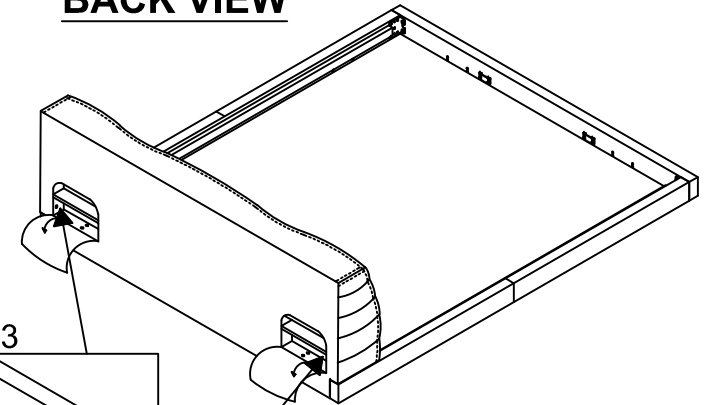
STEP 3.1



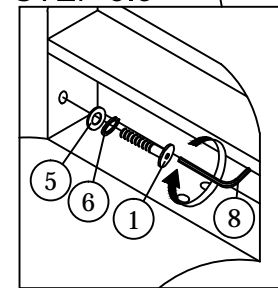
STEP 3.2



**BACK VIEW**

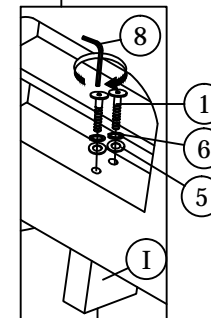
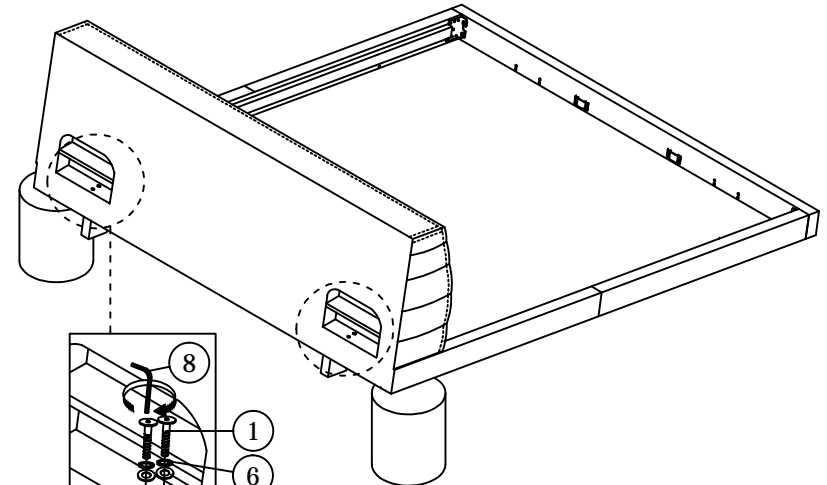
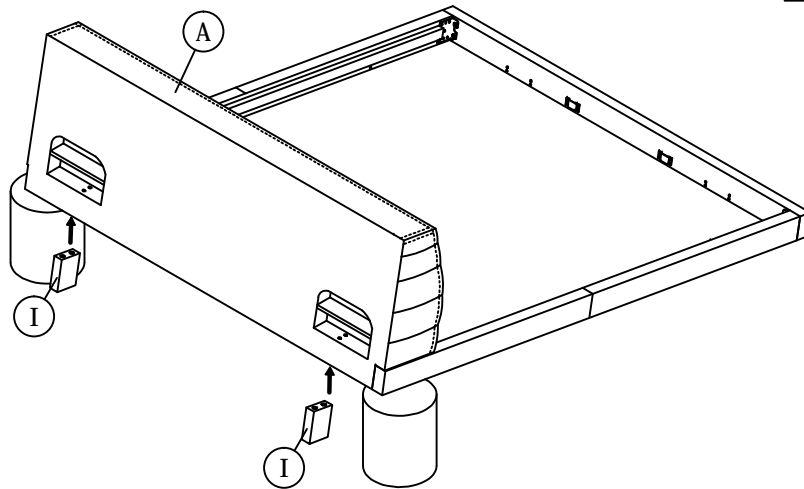


STEP 3.3



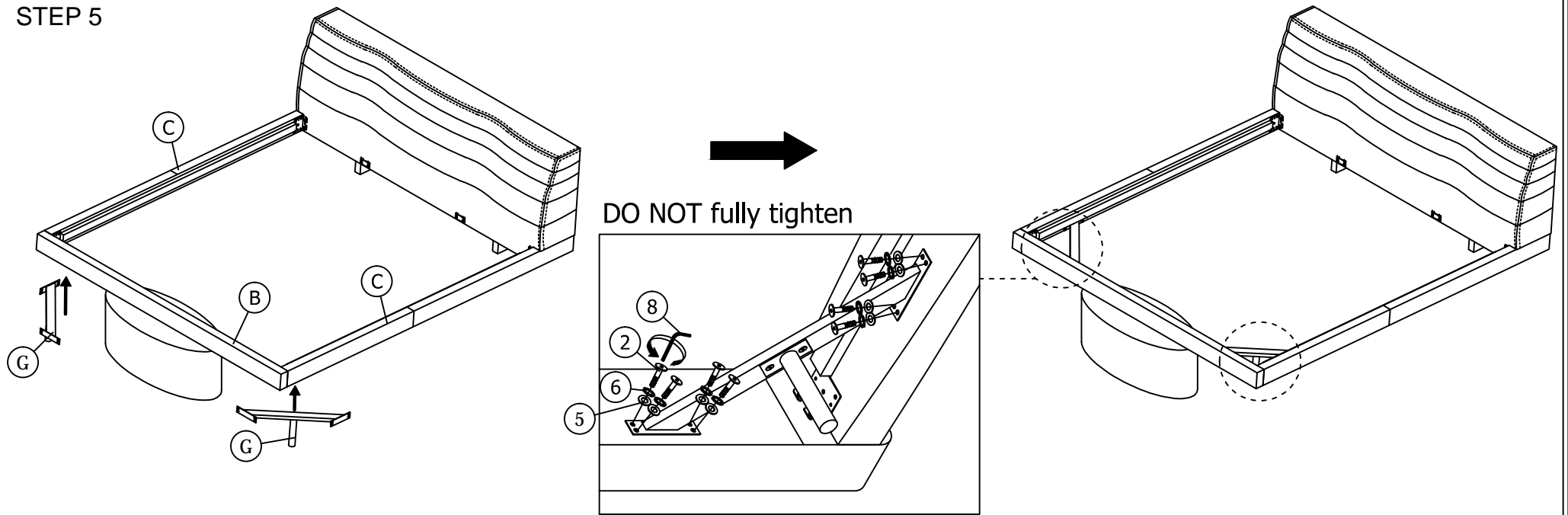
STEP 4

**BACK VIEW**

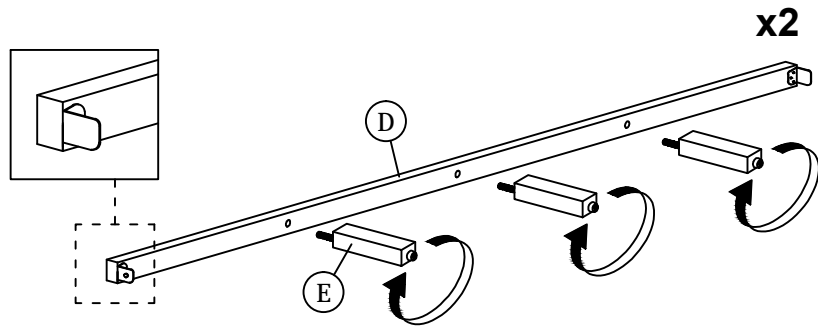


# ASSEMBLY INSTRUCTIONS

## STEP 5

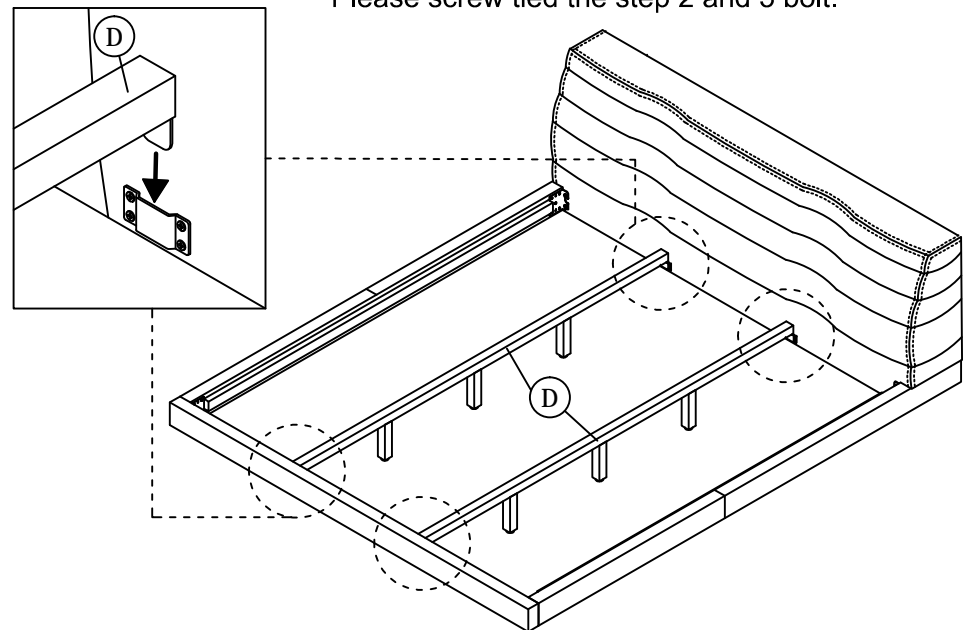


## STEP 6



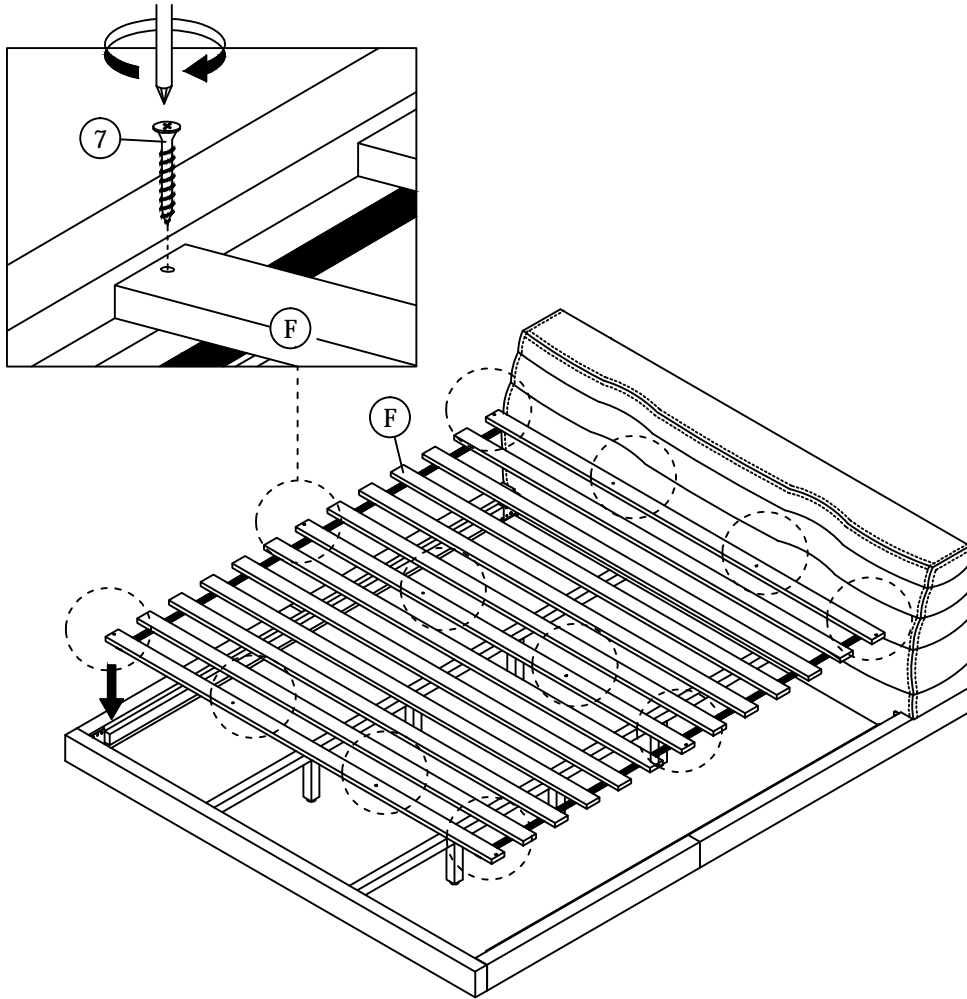
## STEP 7

\*\*Finish step 7,  
Please screw tied the step 2 and 5 bolt.

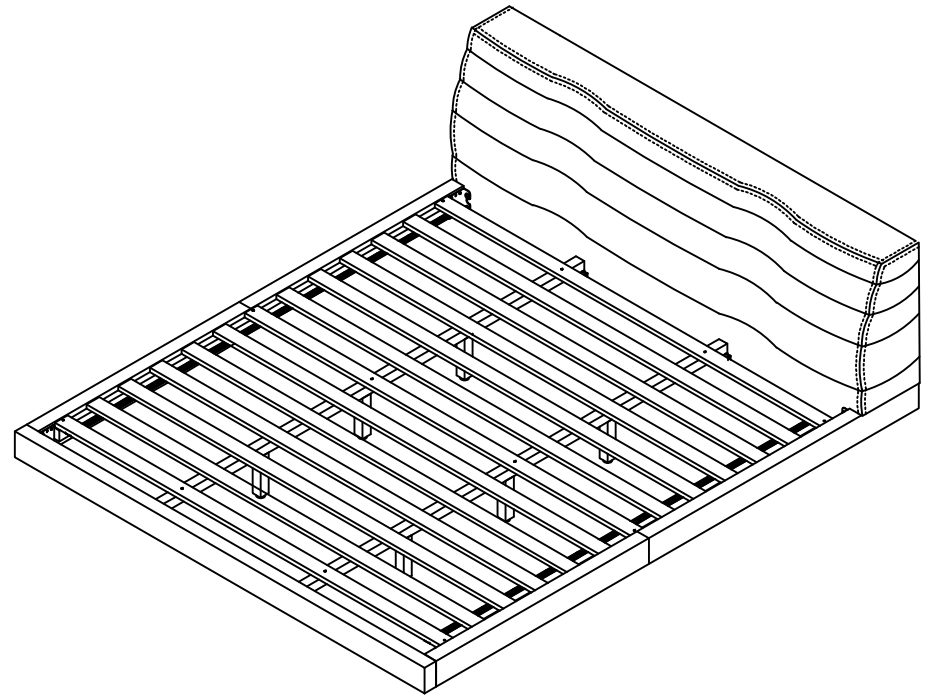


# ASSEMBLY INSTRUCTIONS

## STEP 8



## STEP 9



**\* When moving the bed position, the center support legs must be adjust to be straight to avoid any broken problem.**