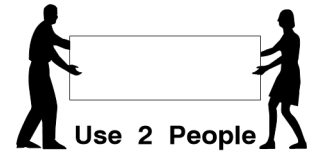
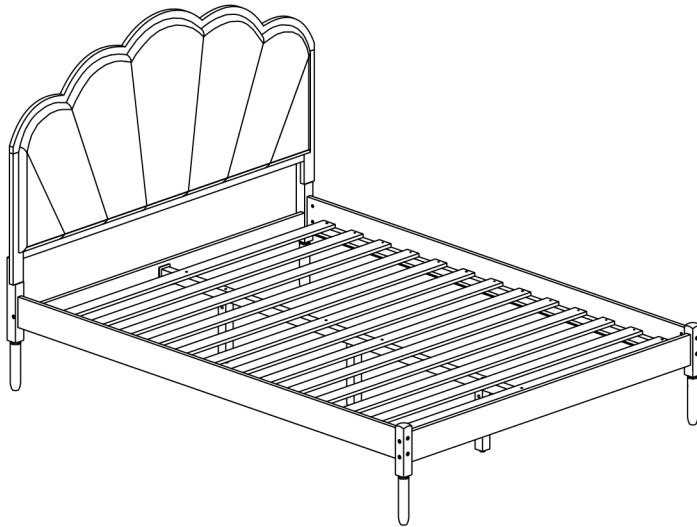


0219 Queen Bed

Assembly Instructions

WI-0423

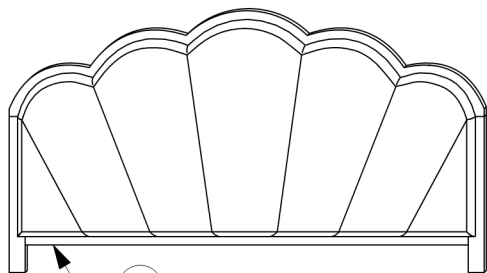
1 Assembled View



Note: Do not assemble using power tools. This can cause the bolts to be overtightened

2 Parts List

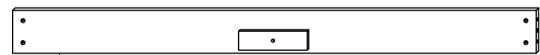
Parts in Box A:



A Headboard Panel x 1



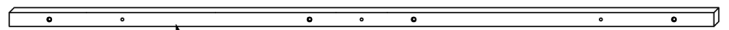
B Headboard Support x 1



G Footboard Panel x 1

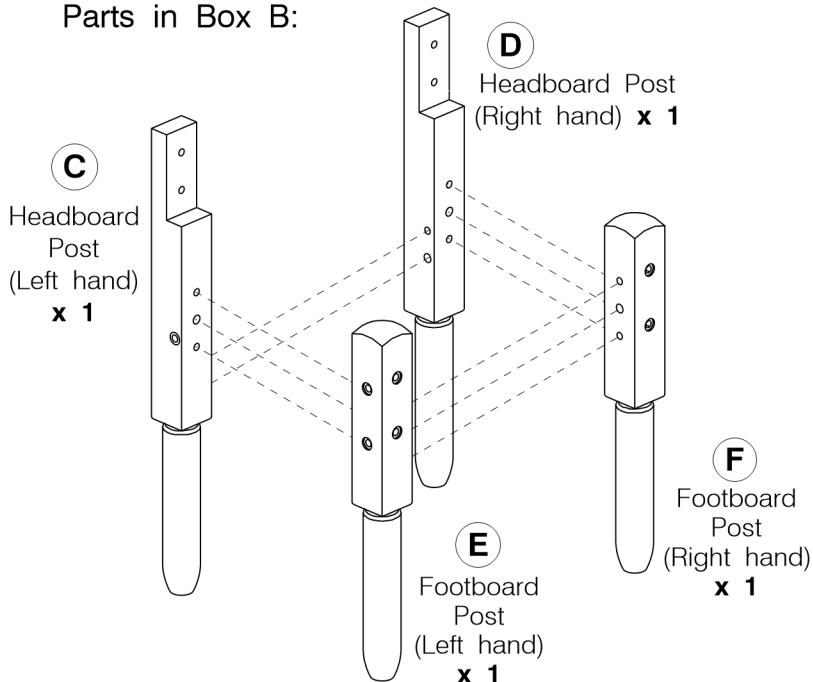


H Side Rail x 2

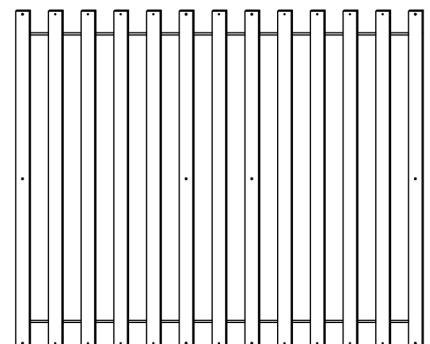


J Long Support x 1

Parts in Box B:



K Support Leg x 3



L Set of Bed Slats x 1

0219 Queen Bed

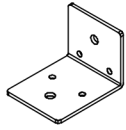
Assembly Instructions

WI-0423

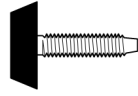
3 Hardware List



1 M4 Allen Key
x 1



2 Center Rail
Bracket x 2



3 Adjustable
Foot x 3



4 Barrel Nut
x 17



5 Spring
Washer
x 4



6 Flat
Washer
x 4



7 Wood Dowel
(10 x 40mm)
x 8



8 Wood Screw
(M4 x 32mm)
x 18



9 M6 x
15mm JCB
x 4

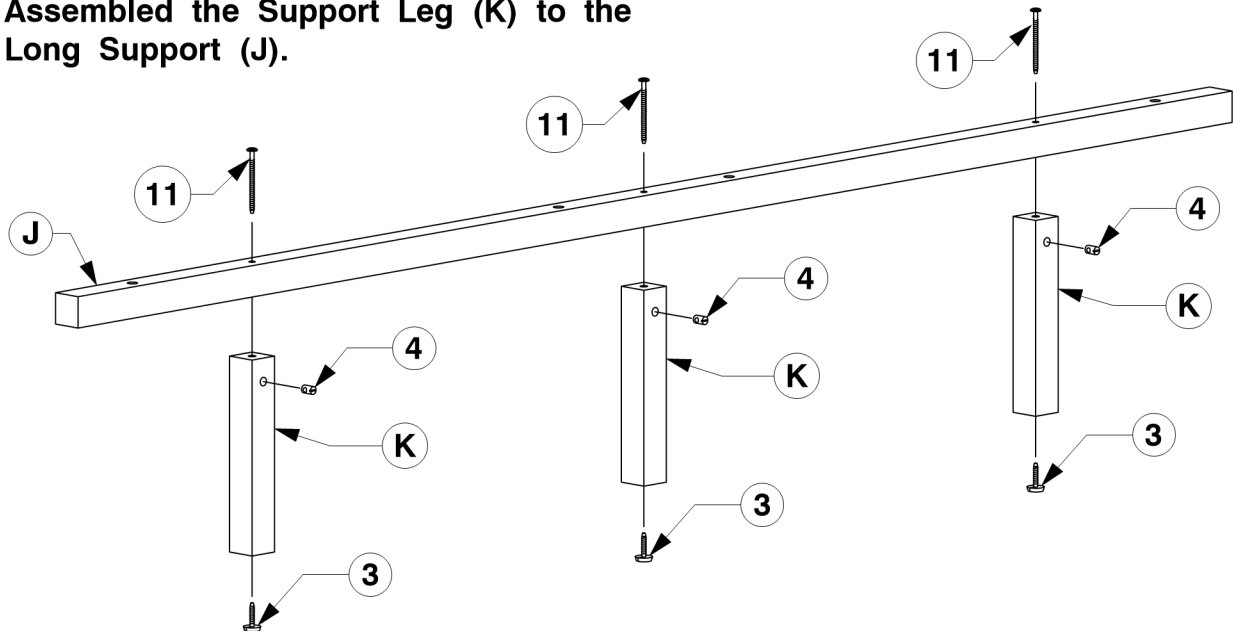


10 M6 x
40mm JCB
x 16

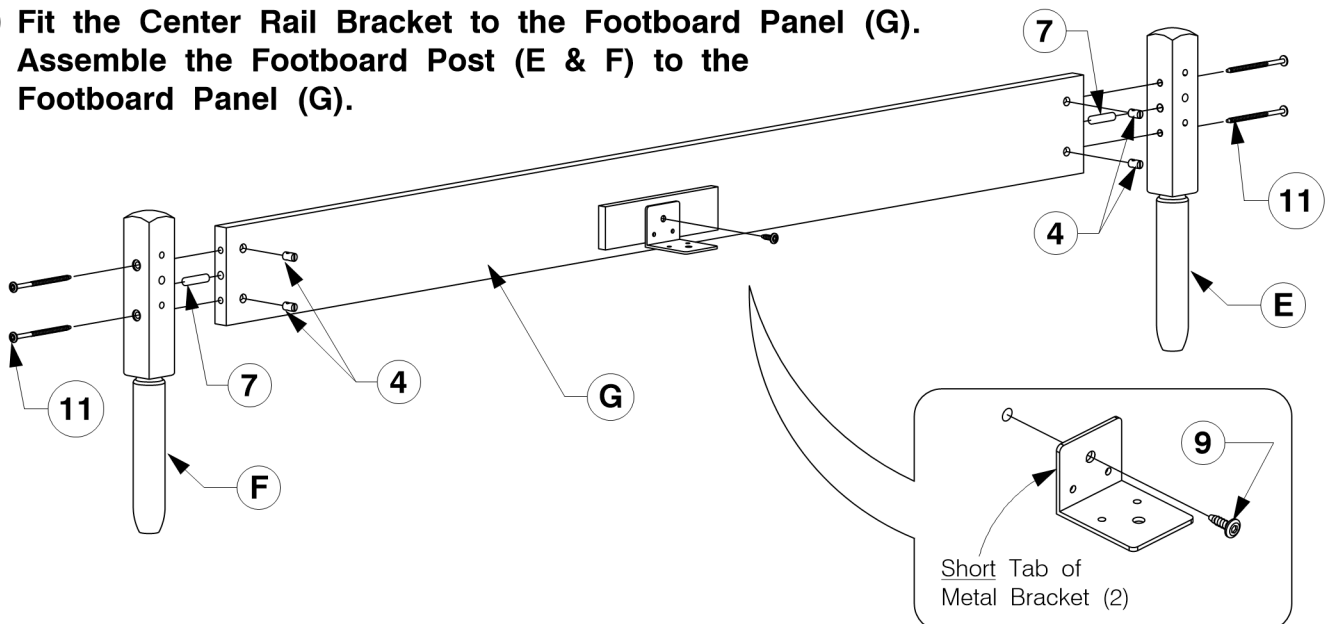


11 M6 x
90mm JCB
x 17

4 Assembled the Support Leg (K) to the Long Support (J).



5 Fit the Center Rail Bracket to the Footboard Panel (G). Assemble the Footboard Post (E & F) to the Footboard Panel (G).

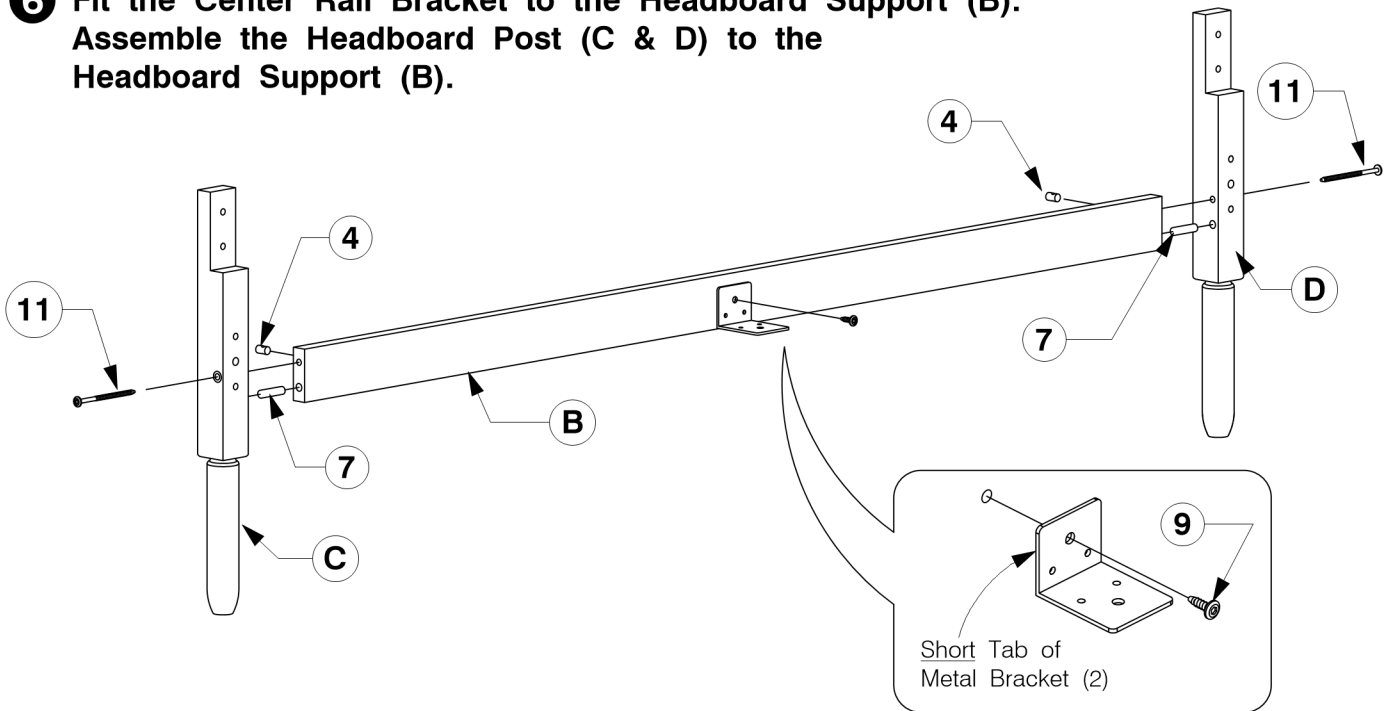


0219 Queen Bed

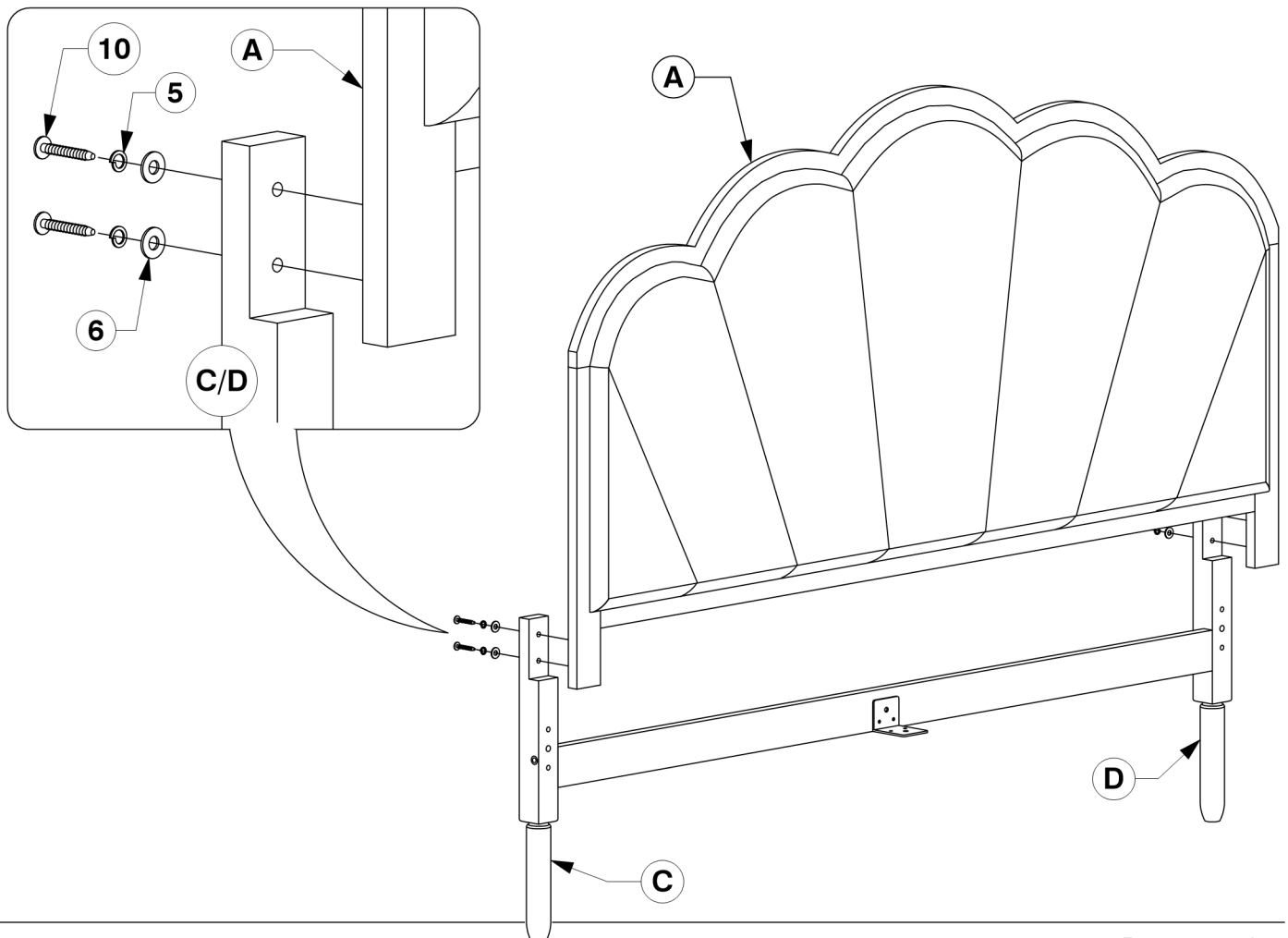
Assembly Instructions

WI-0423

- 6** Fit the Center Rail Bracket to the Headboard Support (B). Assemble the Headboard Post (C & D) to the Headboard Support (B).



- 7** Fit the Headboard Panel (A) to the Headboard Post (C & D).

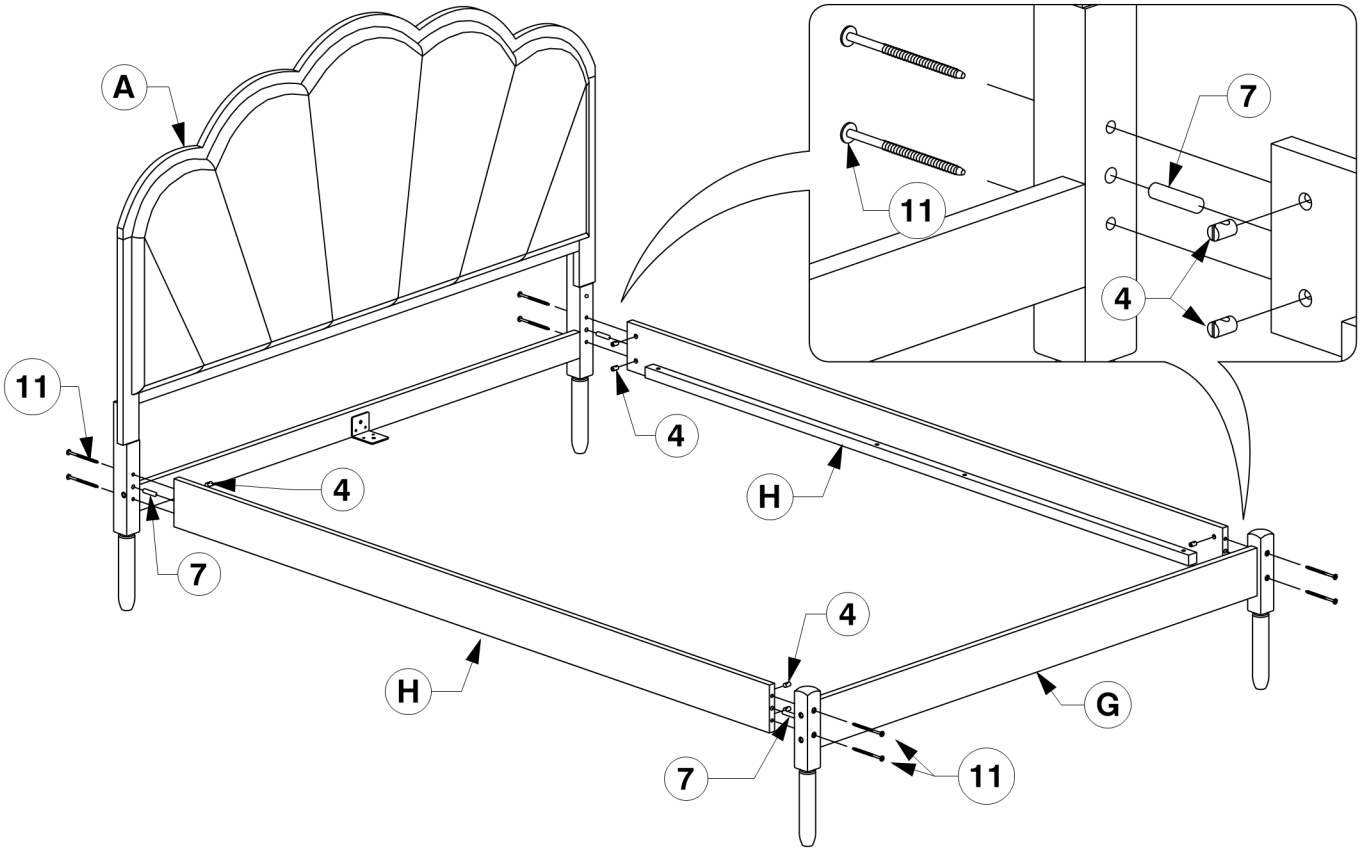


0219 Queen Bed

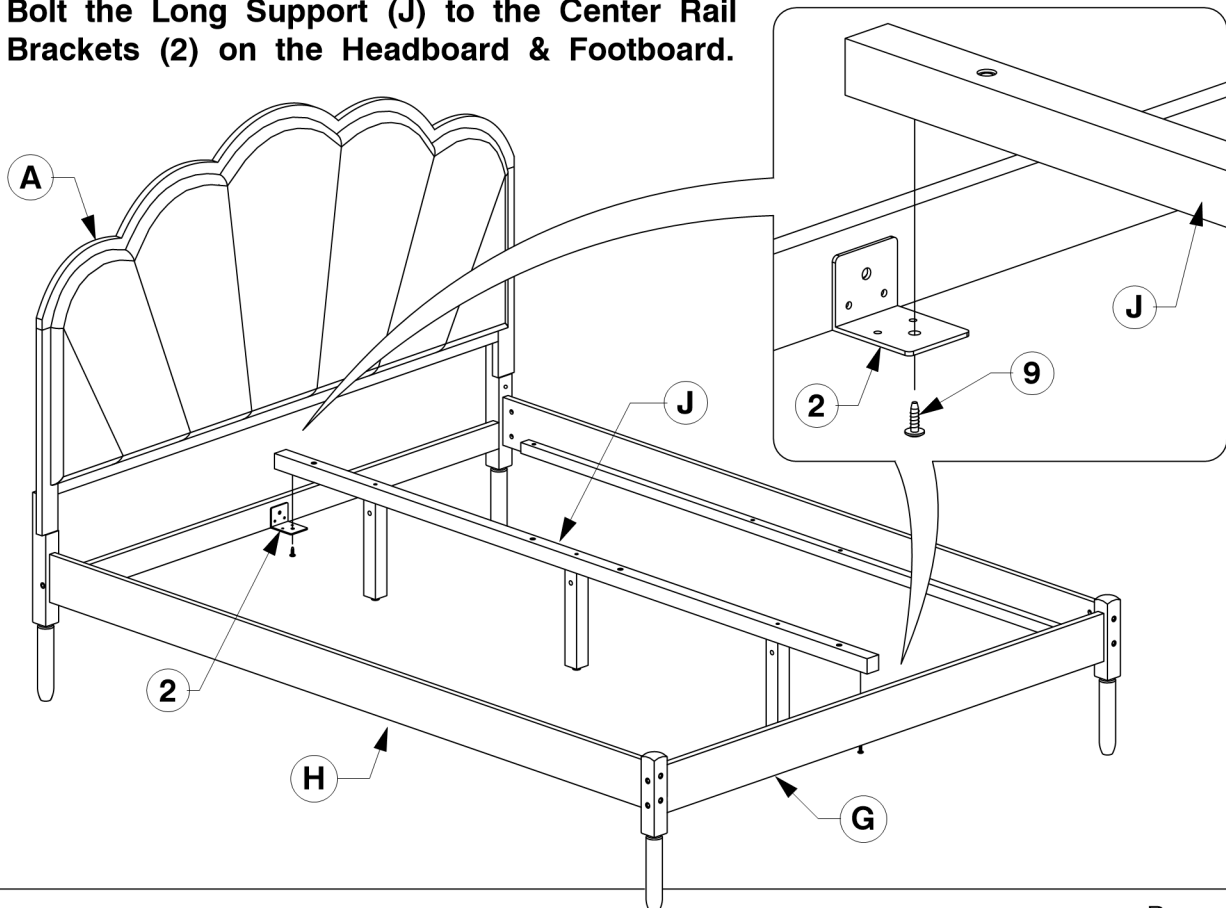
Assembly Instructions

WI-0423

- 8 Assemble the Side Rails (H) to the assembled Headboard & Footboard.**



- 9 Bolt the Long Support (J) to the Center Rail Brackets (2) on the Headboard & Footboard.**

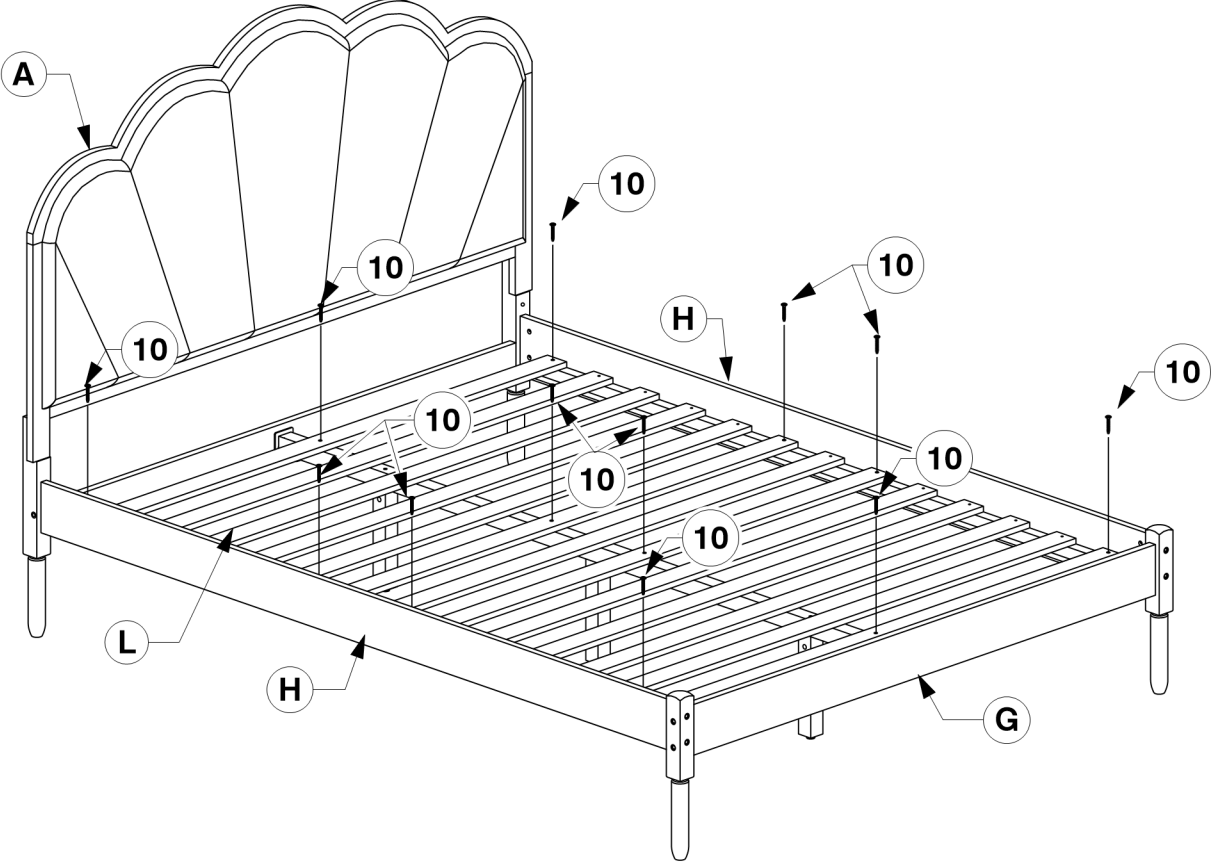


0219 Queen Bed

Assembly Instructions

WI-0423

10 Bolt the Bed Slats (L) to the Side Rail (H).



11 Screw the Bed Rails (L) to the Side Rail (H).

