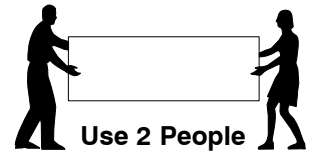
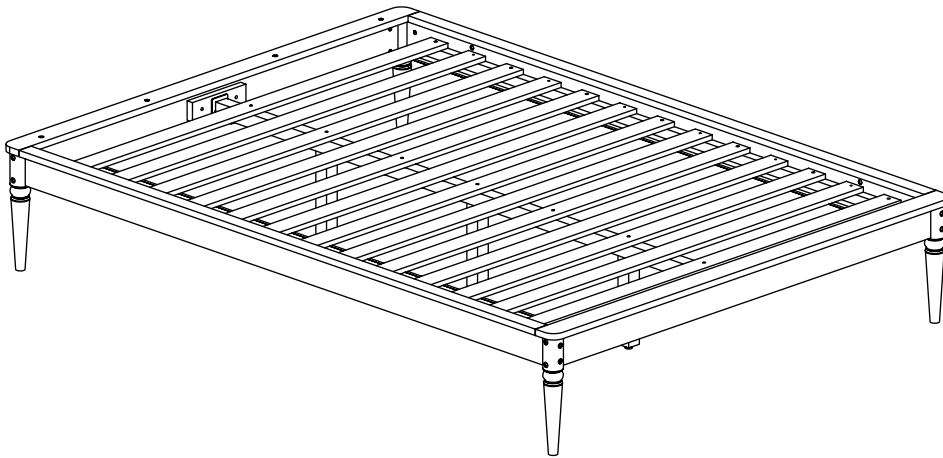


006-1 Full Bed

Assembly Instructions

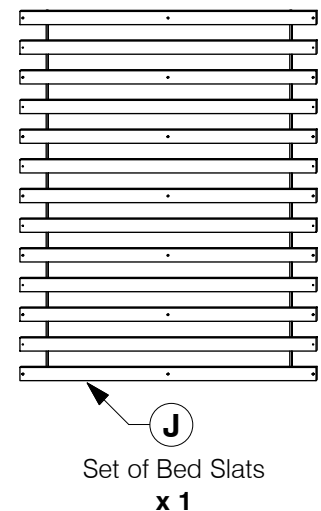
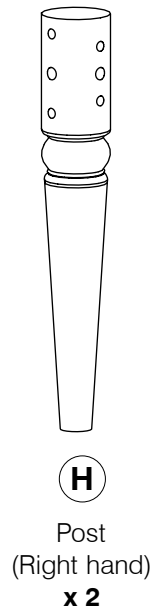
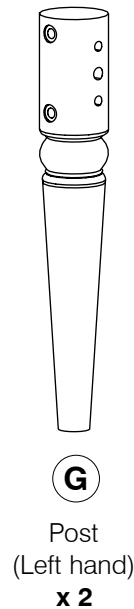
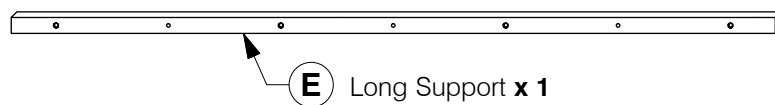
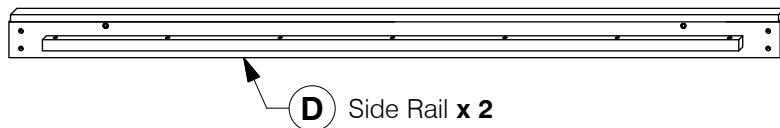
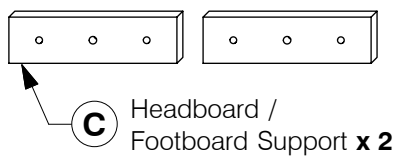
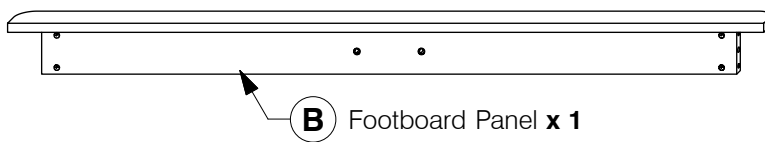
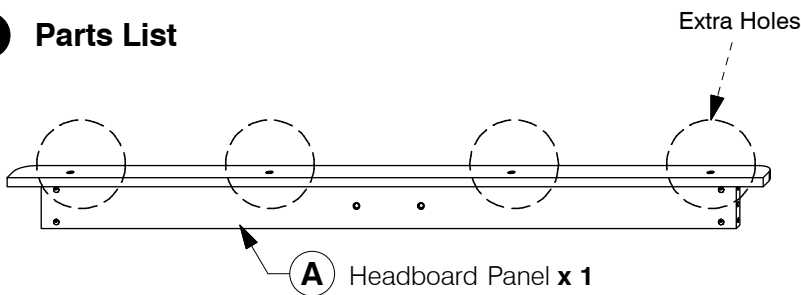
WI-1220

1 Assembled View



Note: Do not assemble using power tools. This can cause the bolts to be overtightened

2 Parts List



006-1 Full Bed

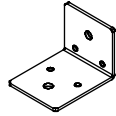
Assembly Instructions

WI-1220

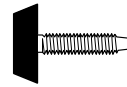
3 Hardware List



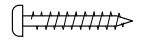
1 M4 Allen Key
x 1



2 Center Rail
Bracket x 2



3 Adjustable
Foot x 3



4 Wood Screw
(M4 x 32mm)
x 12



5 Wood Dowel
(10 x 40mm) x 8



6 Barrel
Nut x 19



7 M6 x 15mm JCB
x 4



8 M6 x 30mm JCB
x 4



9 M6 x 40mm JCB
x 18



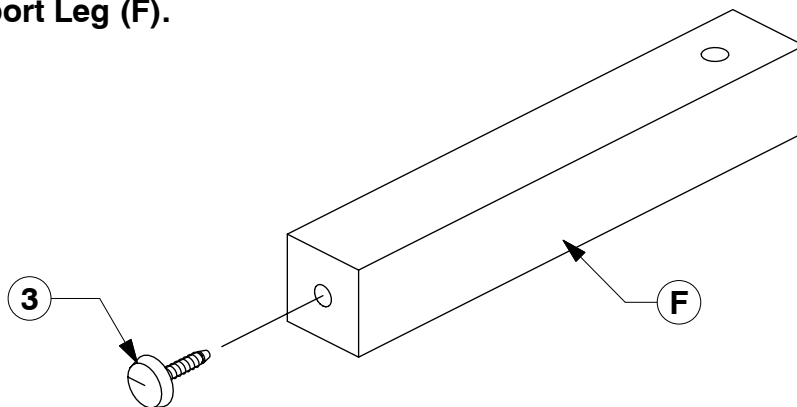
10 M6 x 90mm JCB
x 16



11 M6 x 100mm JCB
x 3

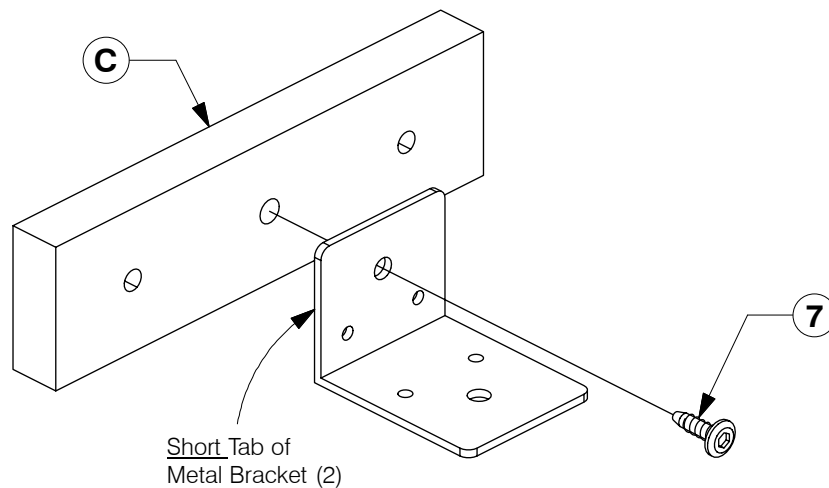
4 Fix the Adjustable foot to the bottom of the Support Leg (F).

x3



5 Fit the Center Rail Bracket to the Head / Footboard Support (C).

x2



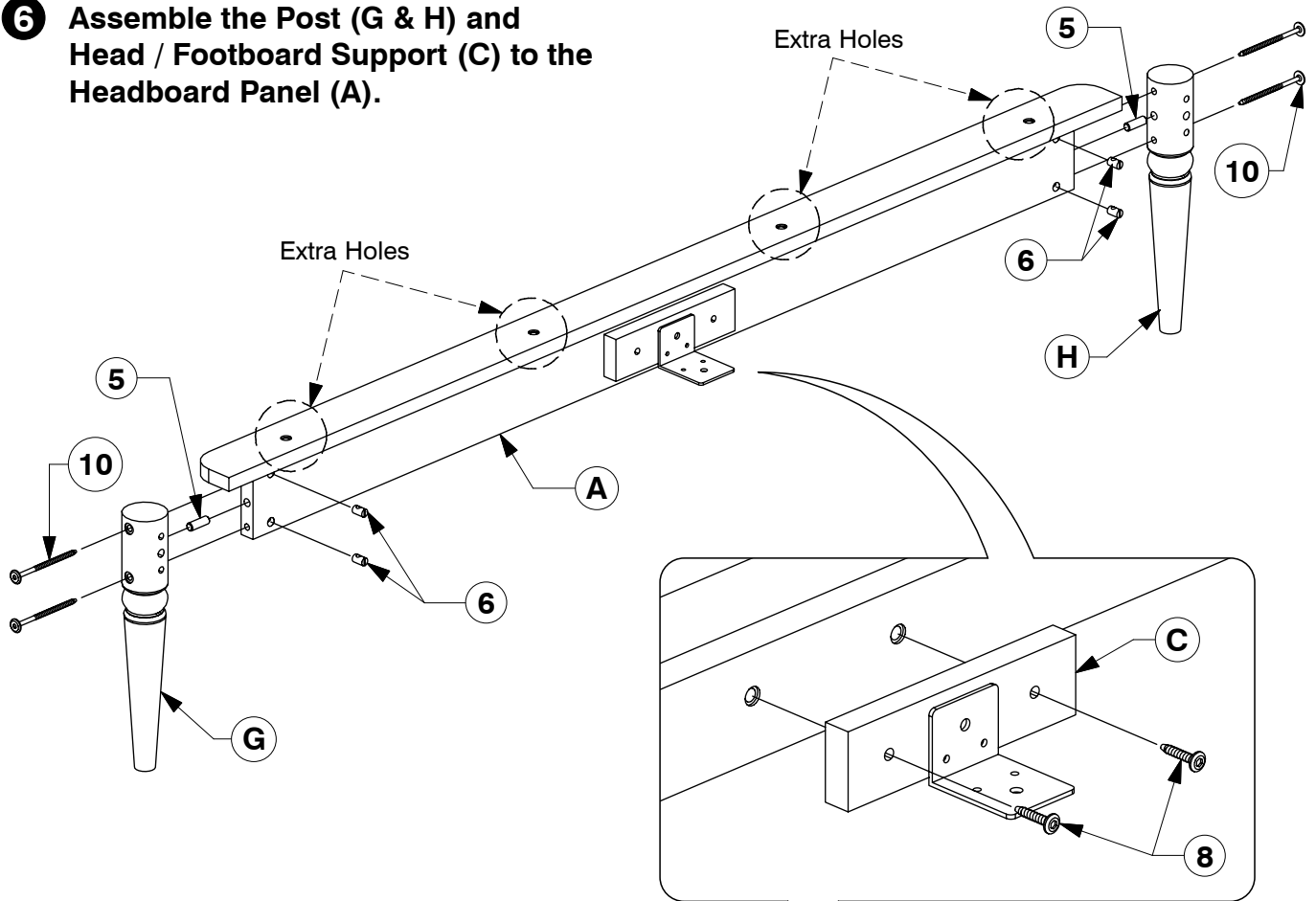
Short Tab of
Metal Bracket (2)

006-1 Full Bed

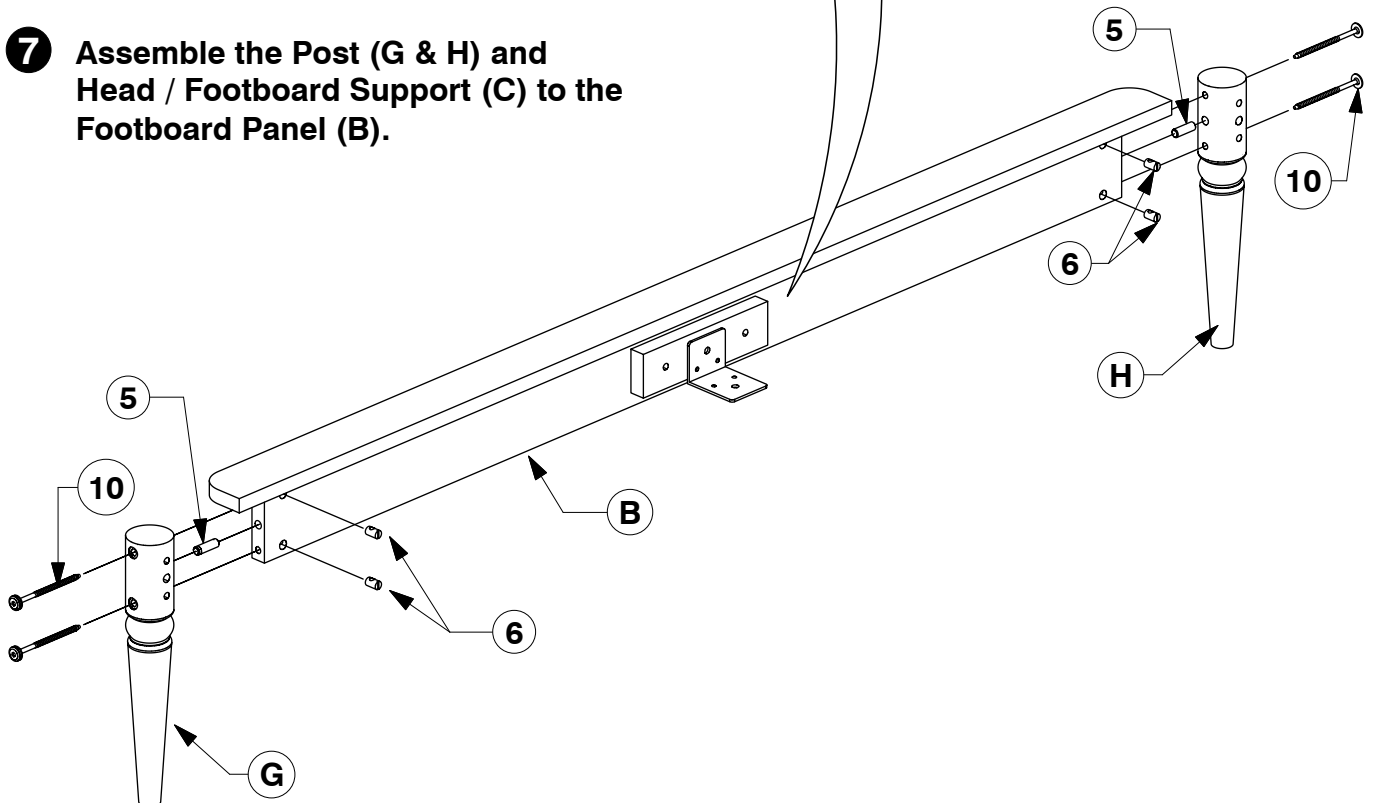
Assembly Instructions

WI-1220

- 6** Assemble the Post (G & H) and Head / Footboard Support (C) to the Headboard Panel (A).



- 7** Assemble the Post (G & H) and Head / Footboard Support (C) to the Footboard Panel (B).

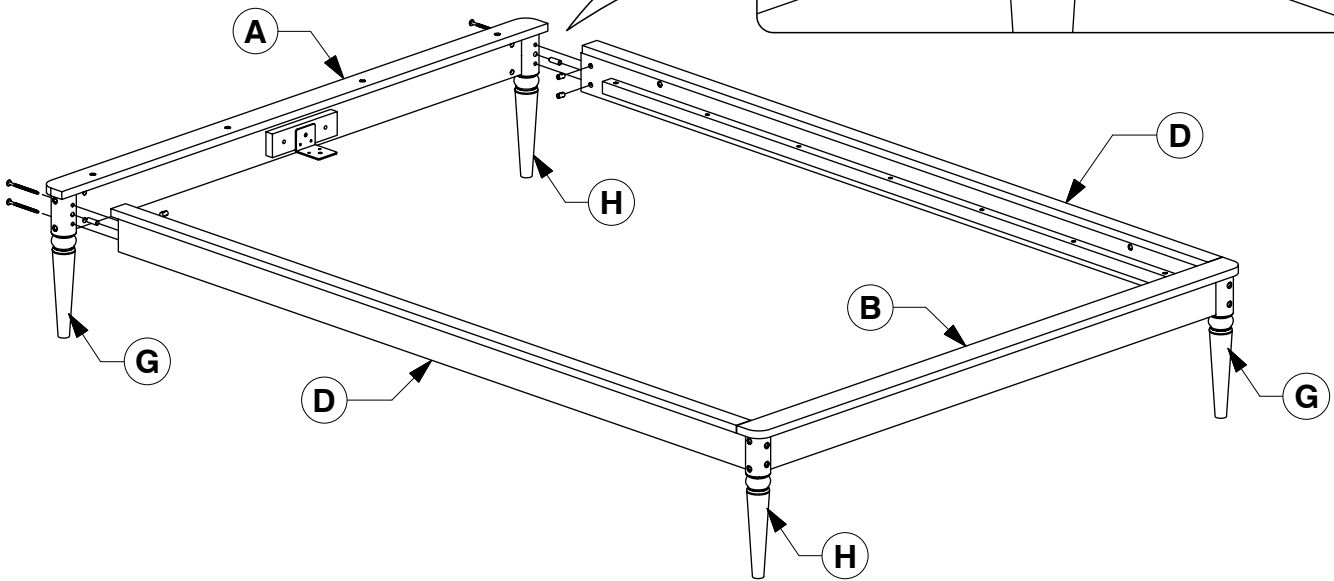
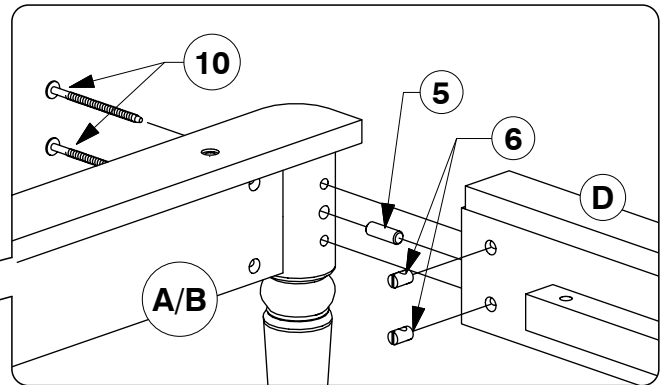


006-1 Full Bed

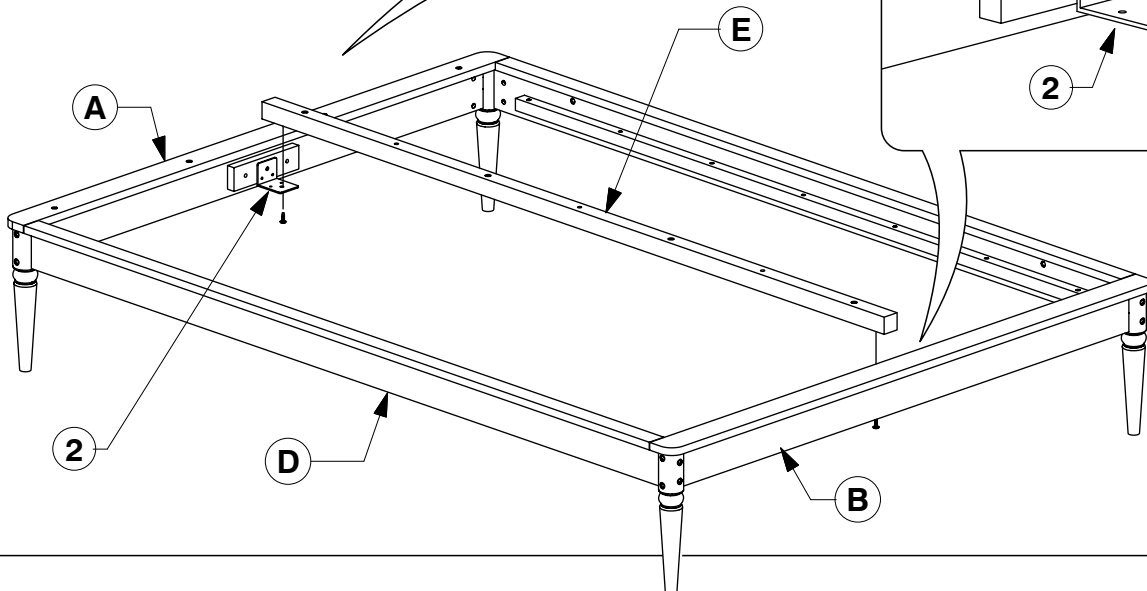
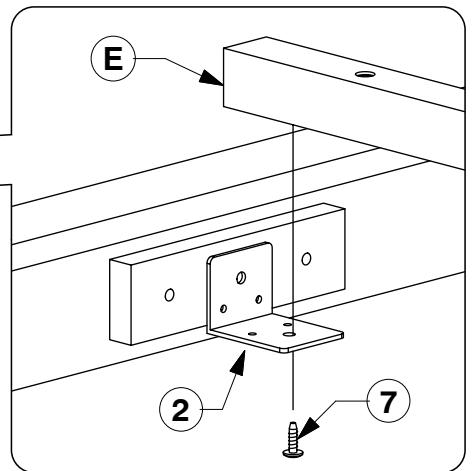
Assembly Instructions

WI-1220

- 8 Assemble the Side Rail (D) to the Headboard & Footboard Panel (A & B).**



- 9 Bolt the Long Support (E) to the Center Rail Brackets (2) on the Headboard & Footboard Panel (A & B).**

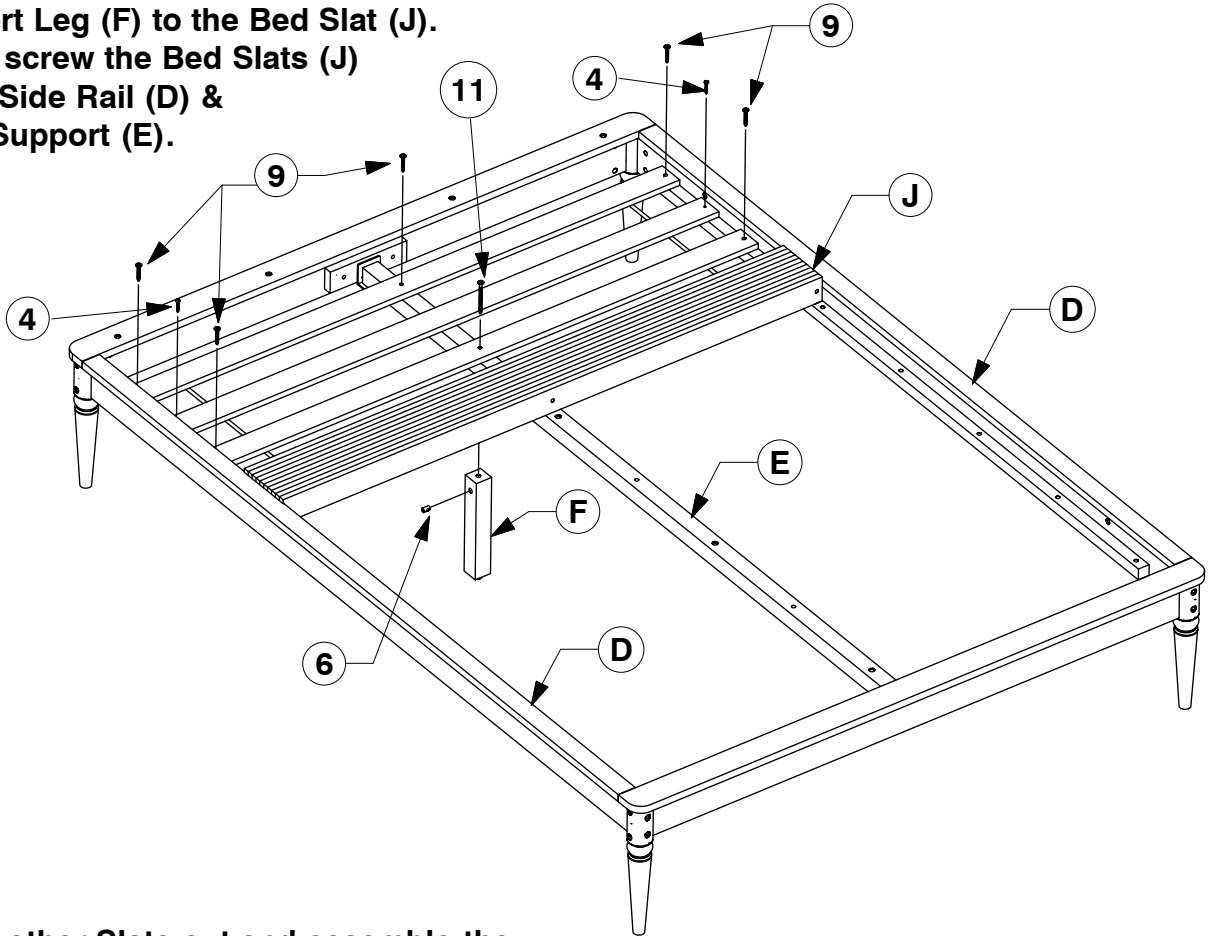


006-1 Full Bed

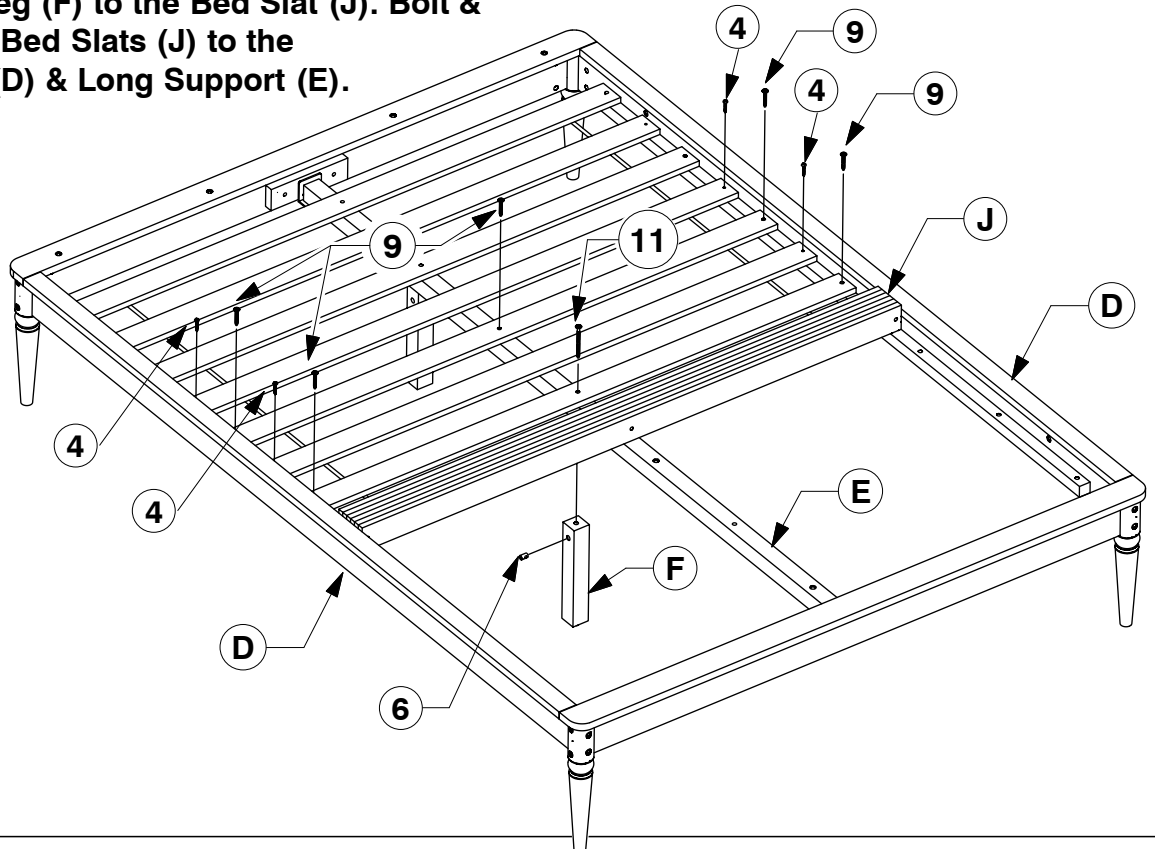
Assembly Instructions

WI-1220

- 10** Fit the first 3 Slats and assemble the Support Leg (F) to the Bed Slat (J). Bolt & screw the Bed Slats (J) to the Side Rail (D) & Long Support (E).



- 11** Fit the other Slats out and assemble the Support Leg (F) to the Bed Slat (J). Bolt & screw the Bed Slats (J) to the Side Rail (D) & Long Support (E).

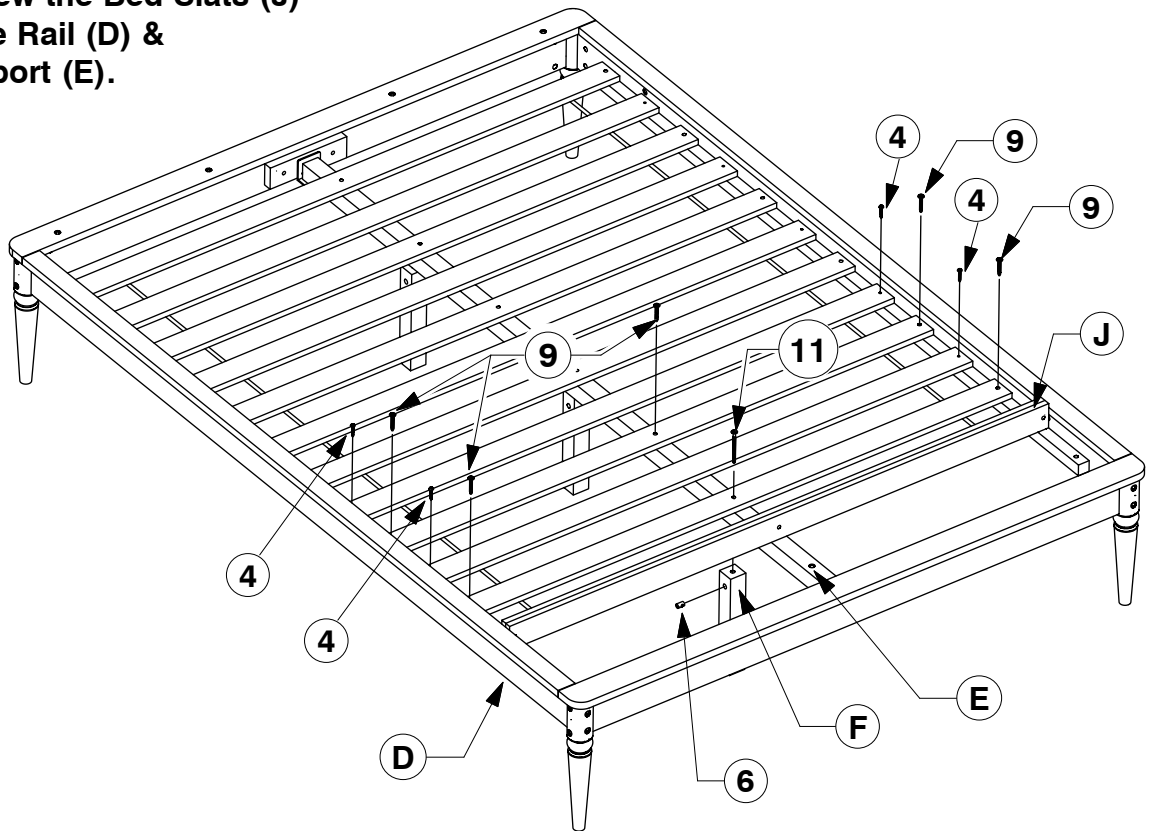


006-1 Full Bed

Assembly Instructions

WI-1220

- 12** Fit the other Slats out and assemble the Support Leg (F) to the Bed Slat (J). Bolt & screw the Bed Slats (J) to the Side Rail (D) & Long Support (E).



- 13** Bolt & screw the remaining Bed Slats (J) to the Side Rail (D).

