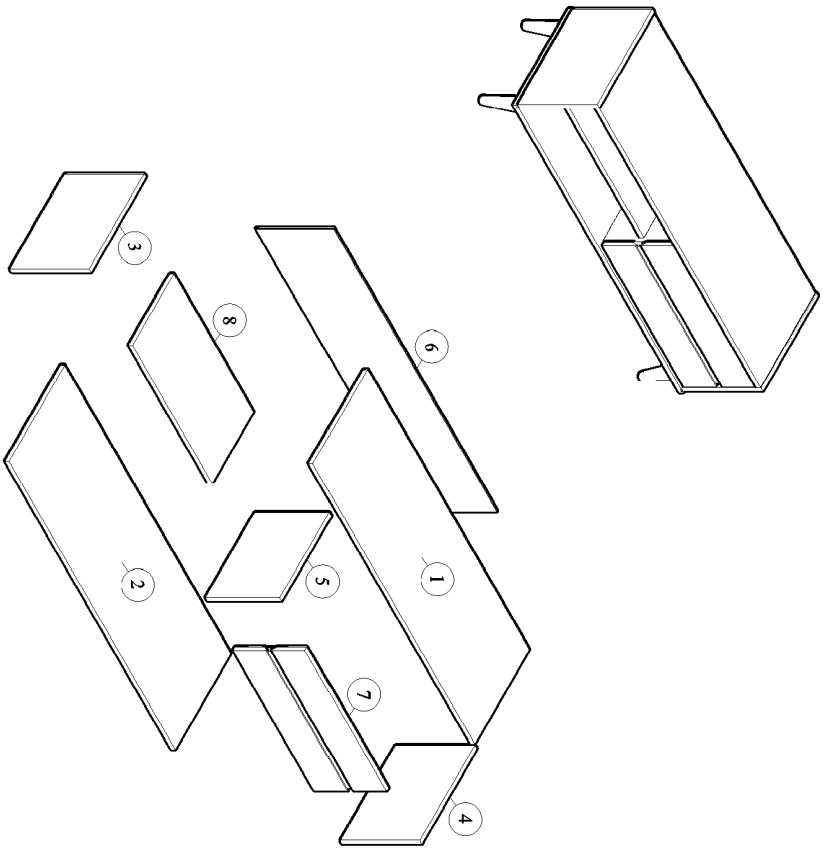


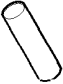





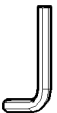



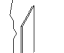


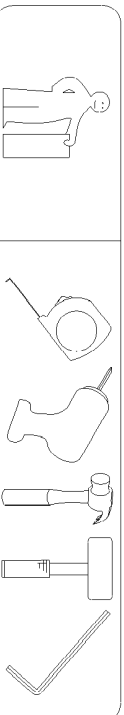
MODEL : SE TV 90820W1

POSITION & PARTS NUMBER

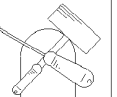


	ACCESSORIES	QUANTITY
A	 MINI FIX M5x24MM	6 PCS
B	 MINI FIX CASING	6 PCS
C	 WOOD DOWEL M8x30MM	4 PCS
D	 IRON SHELF SUPPORT	4 PCS
E	 SCREW M6x50MM	6 PCS
F	 SCREW M3.5x16MM	2 PCS
G	 HINGES 7/8" SCREW M3.5x16MM	2 PCS 12 PCS
H	 PVC ROUND TAPER LEG SCREW M3.5x16MM	5 PCS 20 PCS
I	 ALLEN KEY	1 PC

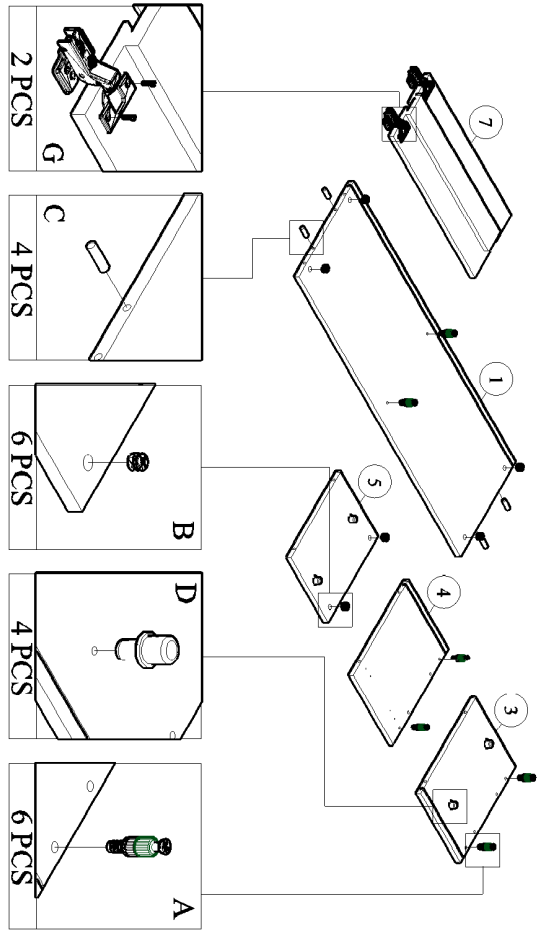
CHEMICAL	HANDLE WITH CARE	KEEP DRY	HARD SURFACE
 <input checked="" type="checkbox"/>	 <input checked="" type="checkbox"/>	 <input checked="" type="checkbox"/>	 <input checked="" type="checkbox"/>



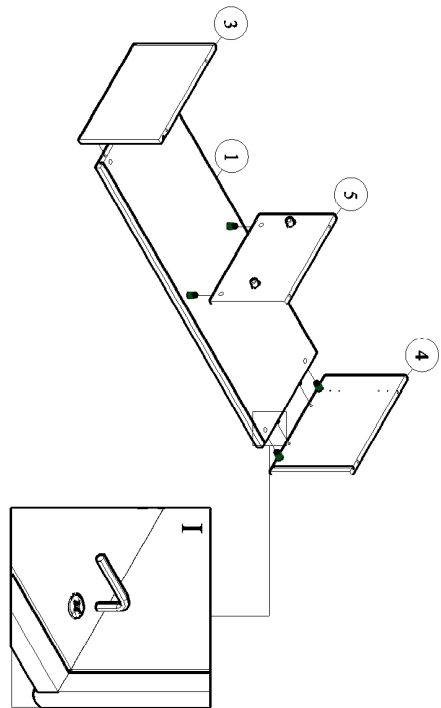
START ASSEMBLY



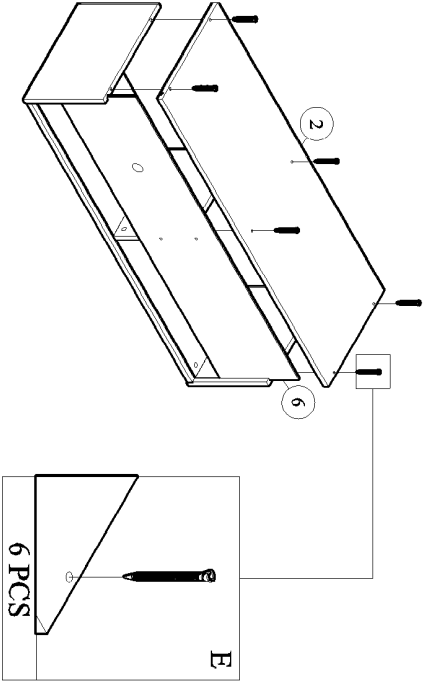
STEP 1



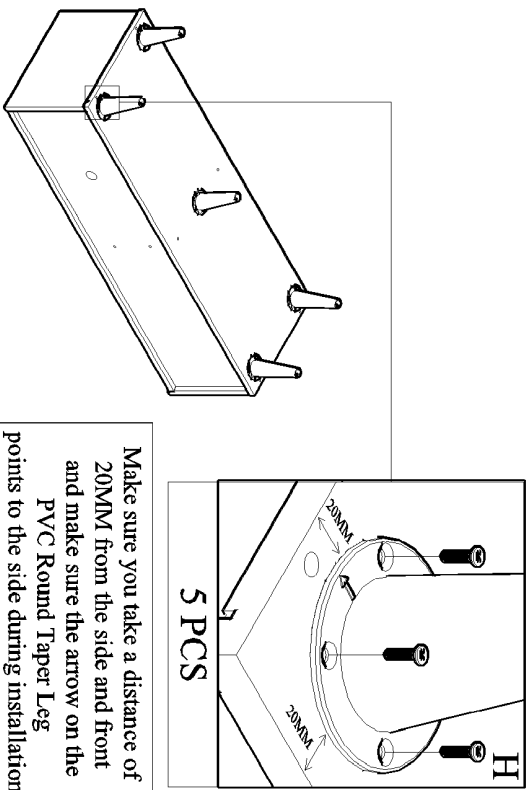
STEP 2



STEP 3

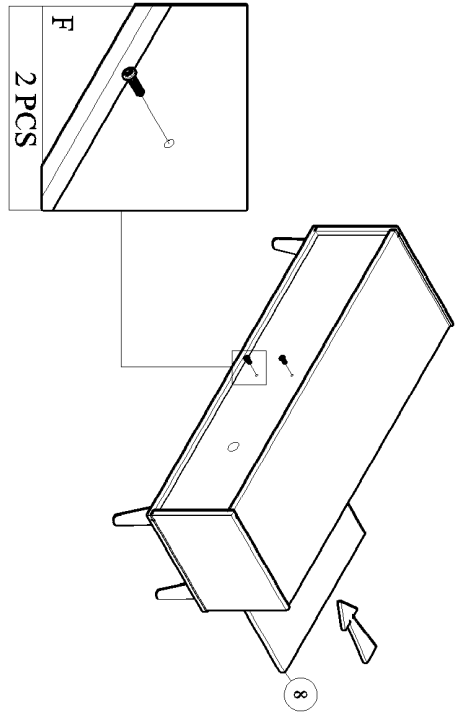


STEP 4

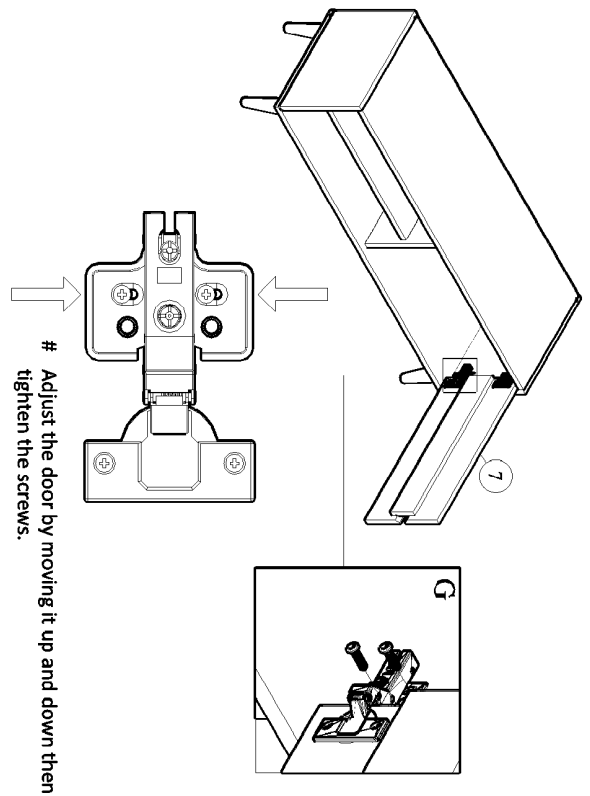


Make sure you take a distance of 20MM from the side and front and make sure the arrow on the PVC Round Taper Leg points to the side during installation.

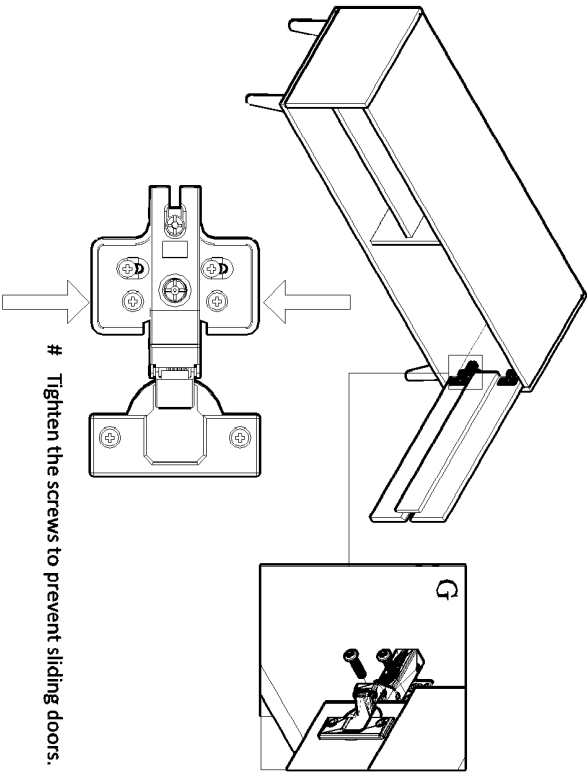
STEP 5



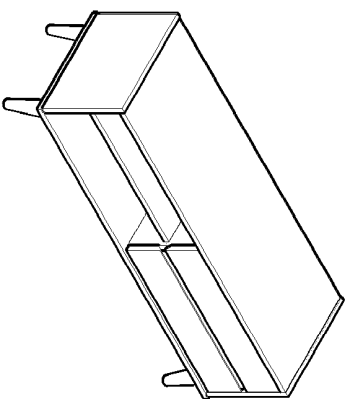
STEP 6

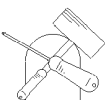


STEP 7



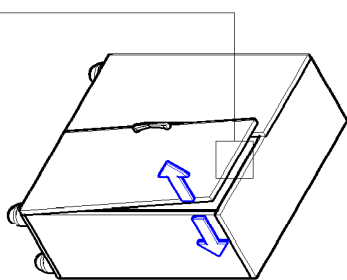
COMPLETED



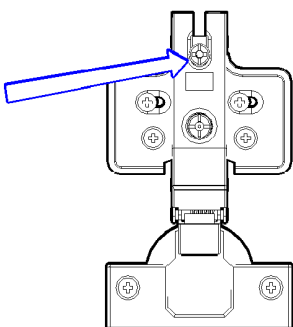


HOW TO ADJUST GLASS/DOORS

- There is a gap between the door and the shelf with doors closed
- Loosen the back adjustable screw which is one of the two screws looking from the front while supporting the doors, adjust the door by moving it back and forth, then tighten the back screw.

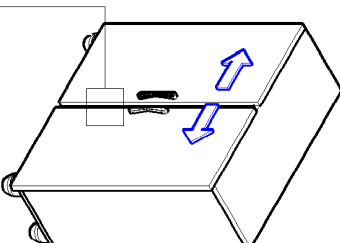


If there is a gap between the doors on the top.

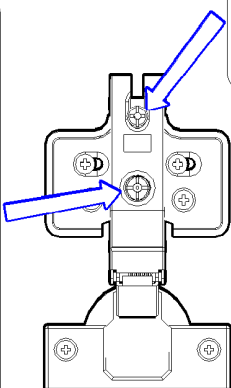


Loosen this screw, adjust by moving back and forth

- There is a gap in the middle with doors closed
- Loosen the ① back adjustable screw which is one of the two screws looking from the front while supporting the doors, tighten the ② screw clockwise, then adjust the middle gap. After adjusted, tighten the ① screw.



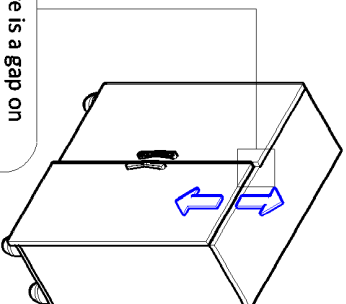
If the gap is wide



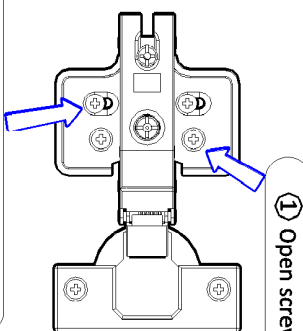
① Fixing screw

② Adjusting screw
(If you twist clockwise once, the door moves about 2mm inward)

- There is a gap on the top of the door when doors are closed (Glass slide hinge does not require this step) (4 screw hole hinge does not require ①)
- Loosen the slide hinge screw while supporting the door, adjust the door by moving it up and down then tighten the screws. (Please loosen the slide hinge screws of the door completely you are adjusting before moving it up and down.)



If there is a gap on the top of the door

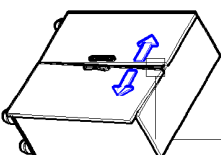


① Open screw

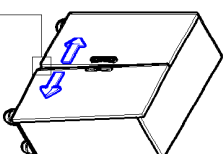
② Slide hinge screws (Please loosen these screws before adjusting)

- There is a V gap when doors are closed
- Loosen the ① back adjustable screw which is one of the two screws looking from the front while supporting the doors, tighten the ② screw clockwise, then adjust the middle gap. After adjusted, tighten the ① screw.

If there is a gap between the doors on the top (Please adjust slide hinge the top part door)



If there is a gap between the doors on the bottom (Please adjust slide hinge the bottom part door)



① Fixing screw

② Adjusting screw
(If you twist clockwise once, the door moves about 2mm inward)

