

ASSEMBLY INSTRUCTIONS

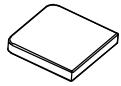
PARTS AND HARDWARE

Avoid using sharp objects such as a knife to cut open packing as you may accidentally damage the upholstery.

Do not fully tighten bolts until assembly is complete.



A:1PC



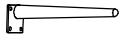
B:1PC



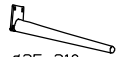
C:6PCS



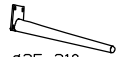
D:3PCS
Ø35x320



E:3PCS
Ø35x290



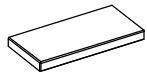
F:3PCS
Ø35x310



F1:3PCS
Ø35x310



G:1PC



H:2PCS



I:1PC



J:2PCS



K:8PCS
Ø35x295



L:1PC



M:1PC



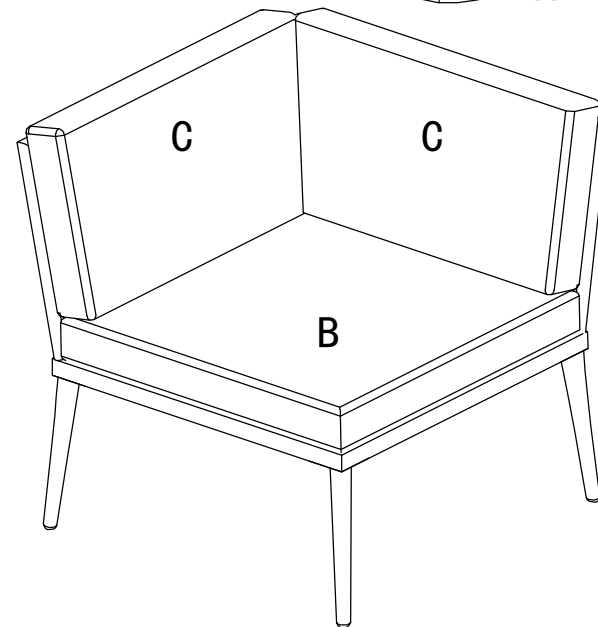
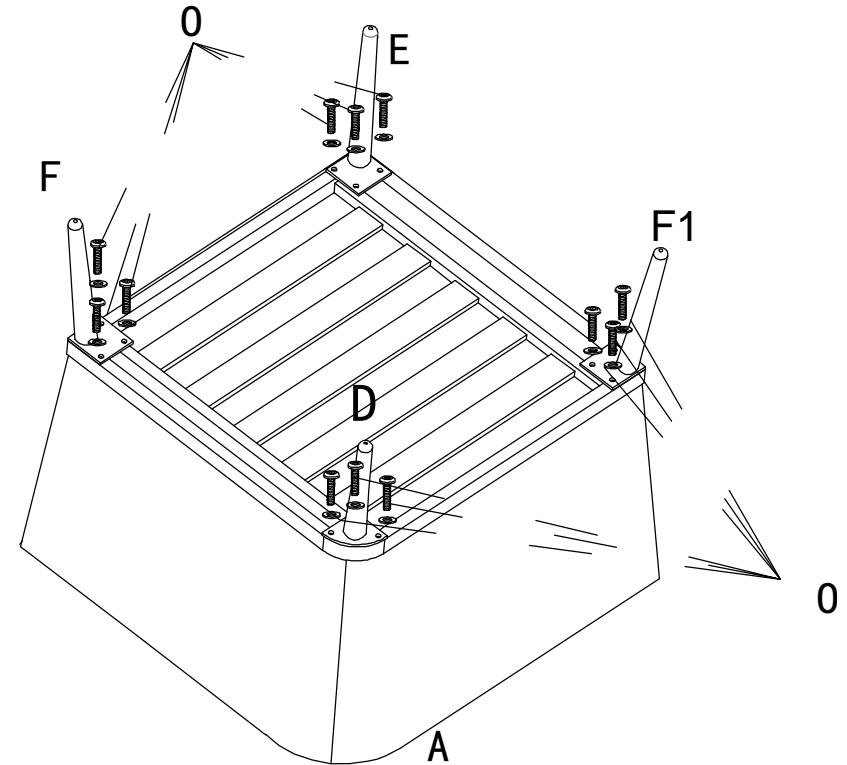
N:4PCS
Ø35x665



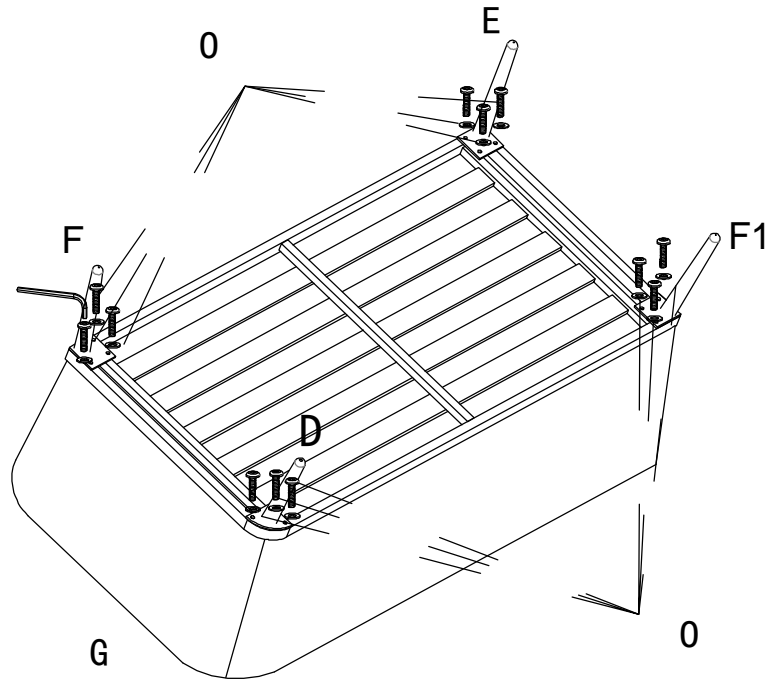
O:76PCS



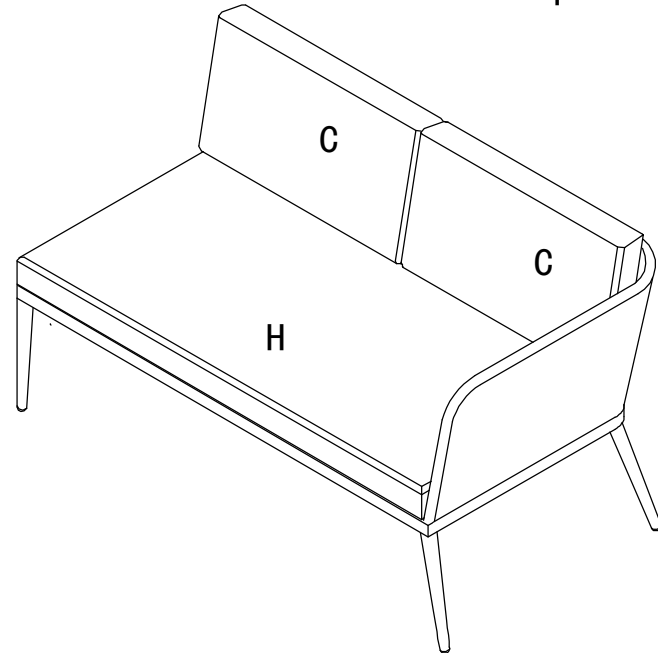
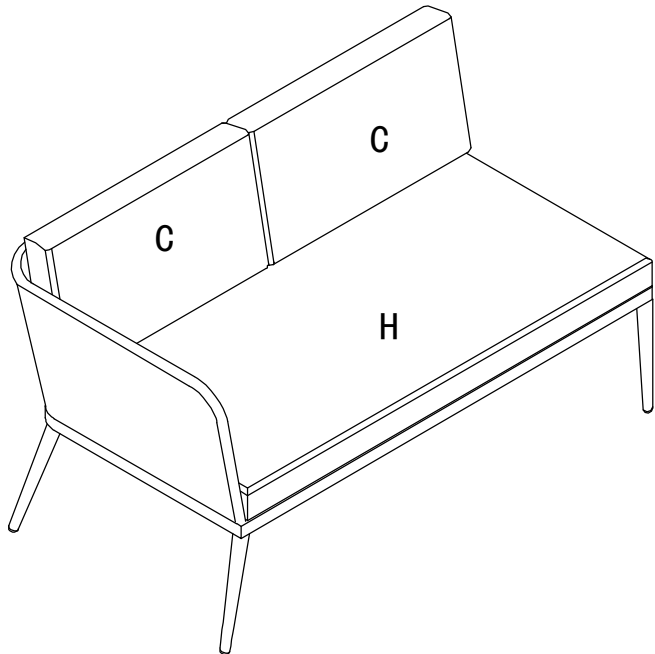
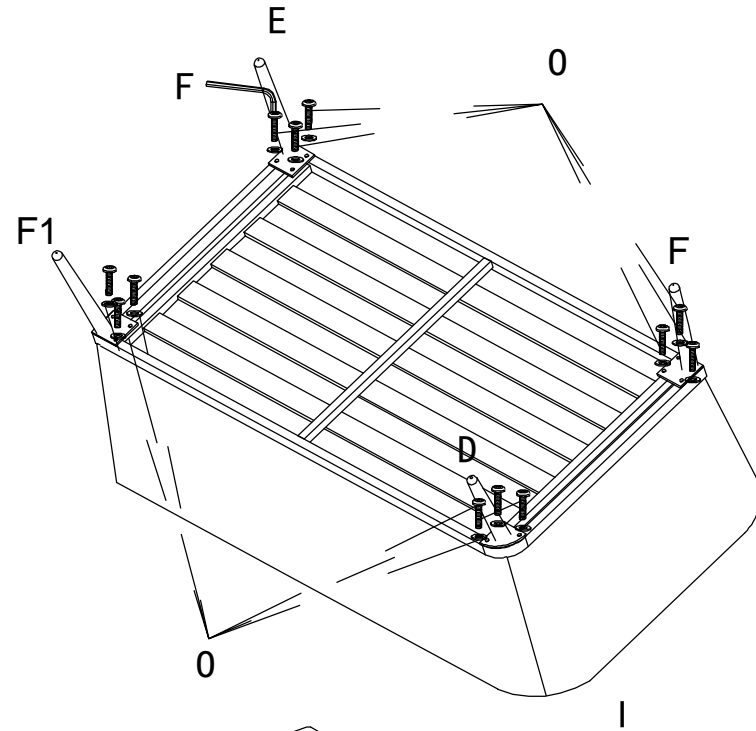
P:1PC



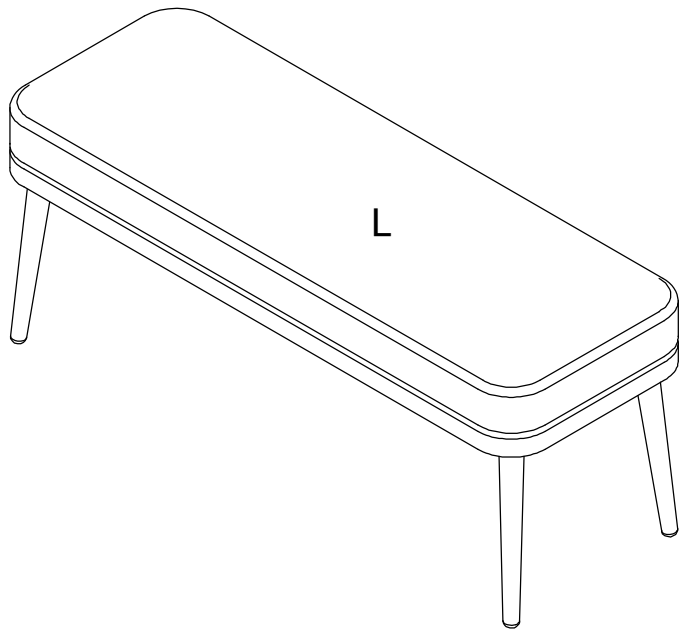
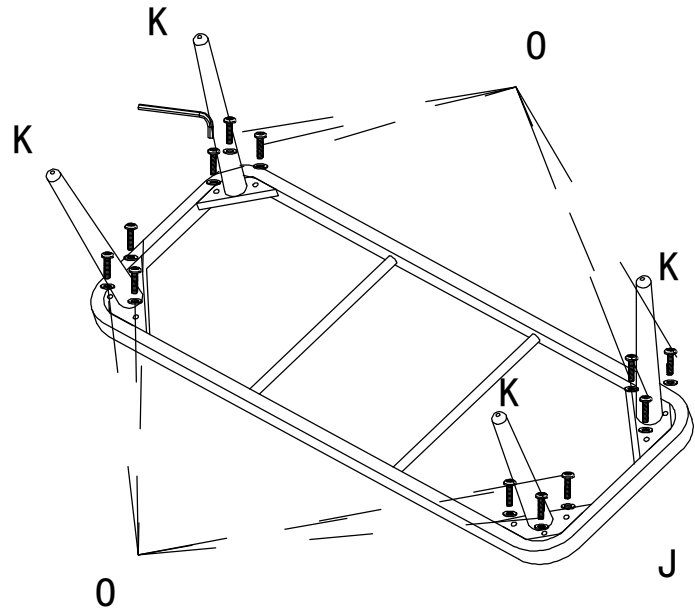
Do not fully tighten bolts until assembly is complete.



Do not fully tighten bolts until assembly is complete.



Do not fully tighten bolts until assembly is complete.



Do not fully tighten bolts until assembly is complete.

