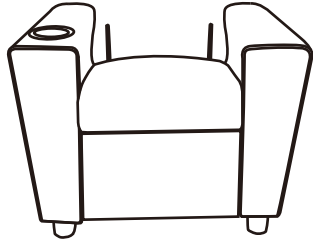
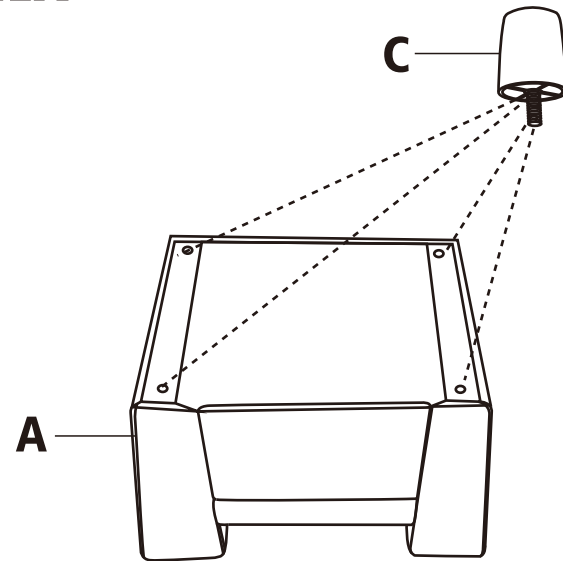


ASSEMBLY INSTRUCTION

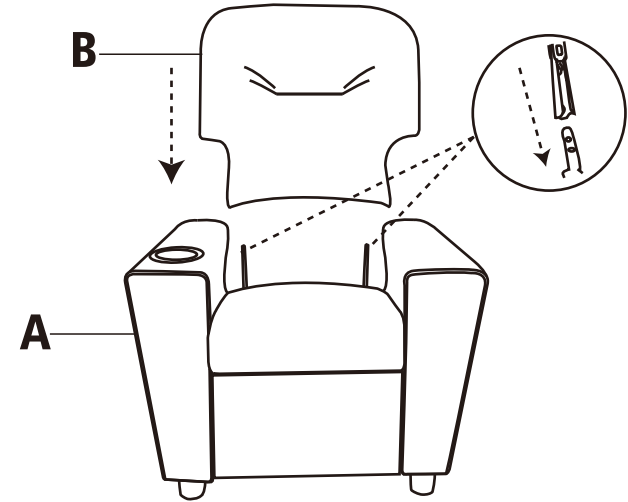
Ax1



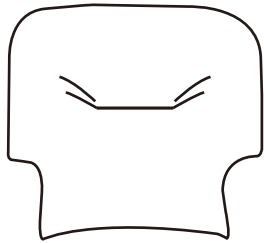
STEP1



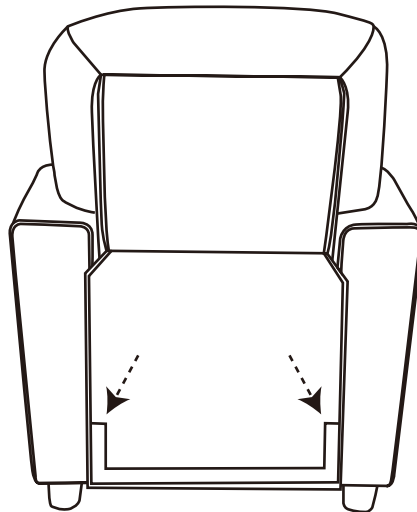
STEP2



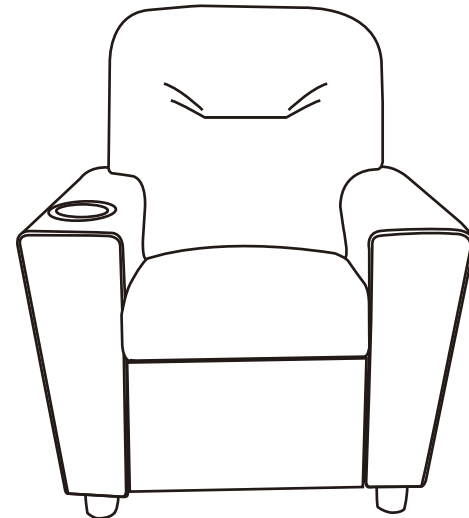
Bx1



STEP3



STEP4



Cx4

