


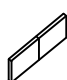








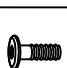
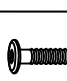


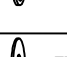
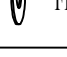




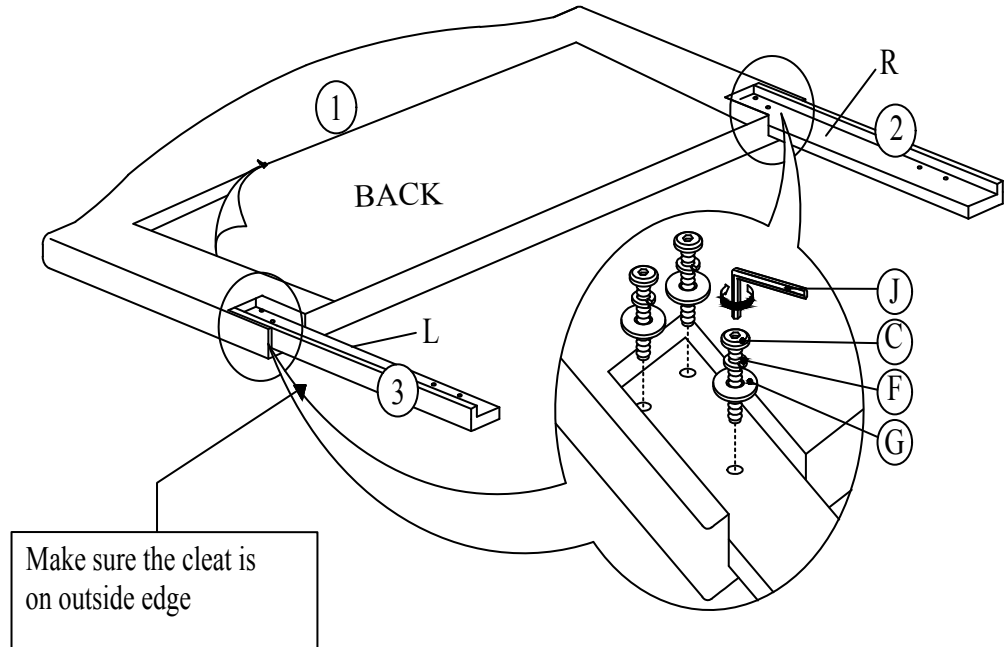
ASSEMBLY INSTRUCTION

NO	PART LIST	QTY
1	 HEADBOARD CUSHION	1PC
2	 RIGHT HEADBOARD LEG WITH 'R' LABEL	1PC
3	 RIGHT HEADBOARD LEG WITH 'L' LABEL	1PC
4	 FOOTBOARD CUSHION	1PC
5	 FOOTBOARD LEGS	2PCS
6	 SIDE RAIL	2PCS
7	 SIDE RAIL	2PCS
8	 SIDE RAIL SUPPORT LEG	2PCS
9	 SLATS	4PCS
10	 SUPPORT LEGS WITH ADJUSTABLE FEET	4PCS

NO	HARDWARE LIST	QTY
A	 JCBB SCREW M8 X 20	8PCS
B	 JCBC SCREW M6 X 25	8PCS
C	 JCBC SCREW M6 X 35	10PCS
D	 JCBC SCREW M6 X 70	2PCS
E	 WOOD DOWEL	2PCS
F	 SPRING WASHER	14PCS
G	 FLAT WASHER	14PCS
H	 SCREW M4 X 32mm	8PCS
I	 L - KEY M5 X 65mm	1PC
J	 L - KEY M4 X 65mm	1PC

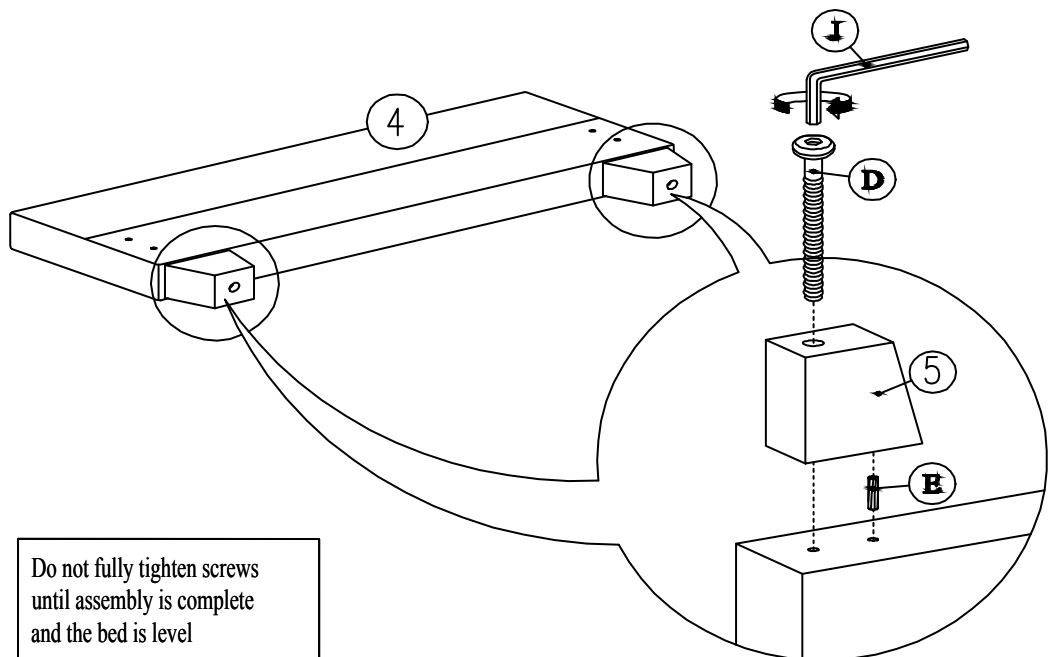
STEP 1

Begin assembly by attaching each Headboard leg (2) & (3) to the bottom of the headboard cushion (1) by aligning the hole and securing with 3 Allen Bolts (C) , 3 spring washer (F) , 3 flat washer (G) per leg using L-key (J).



STEP 2

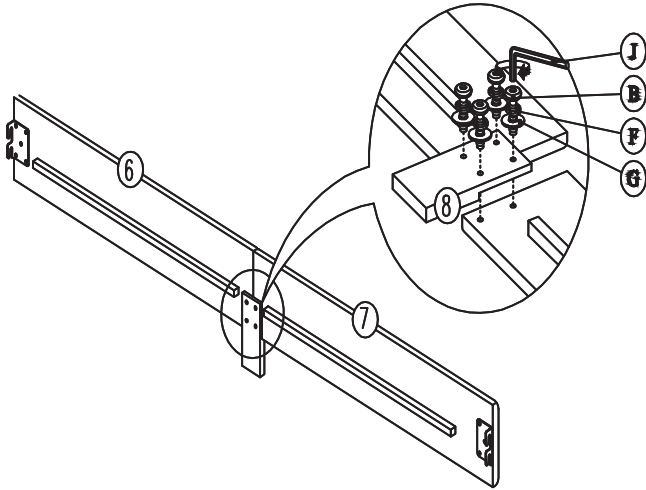
Attach each footboard leg (5) to the bottom of footboard cushion (4) by inserting a dowel (E) & securing with 1 Allen Bolt (D) per leg using L-key (J).



ASSEMBLY INSTRUCTION

STEP 3

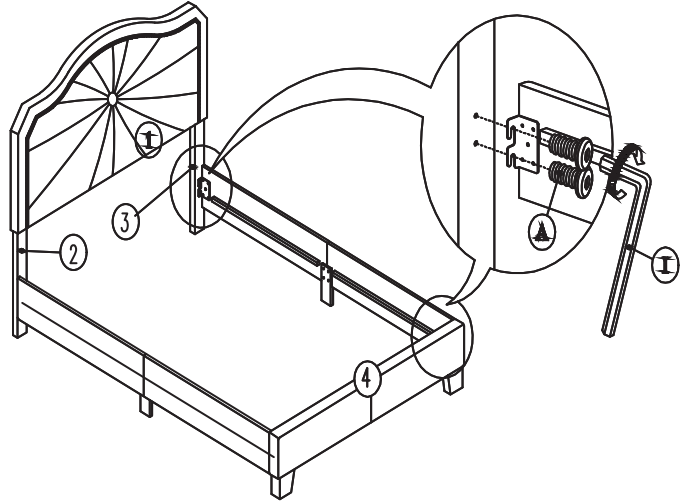
Attach side rail support leg (8) to the join of the side rail (6) and side rail (7) by securing with 4 Allen Bolts (B), 4 spring washer (F), 4 flat washer (G) per support using L-key (J).



Do not fully tighten screws until assembly is complete and the bed is level

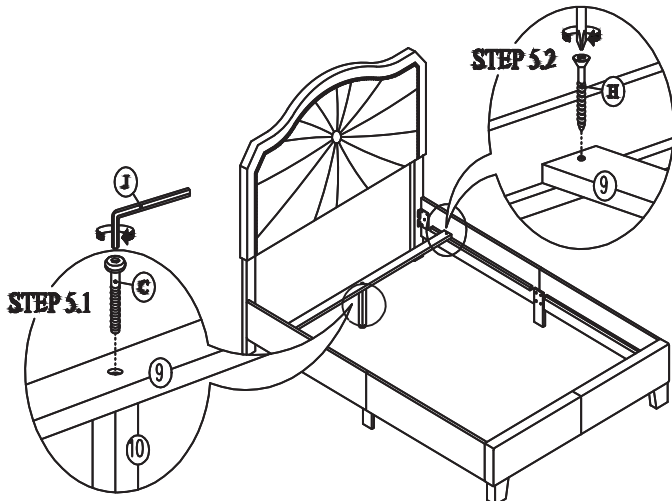
STEP 4

Attach side rail to the headboard leg (2) & (3) and footboard (4). Aligning holes and securing with 2 Allen Bolts (A) per each by using L-key (I). (DO NOT FULLY TIGHTEN BOLTS FOR THIS STEP.)

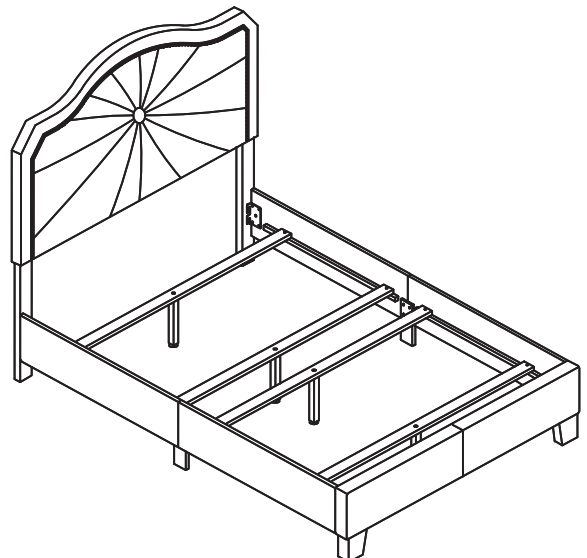


STEP 5

Attach support legs (10) to slat (9) by securing with 1 Allen Bolt (C) per support. Attach slats (9) to side rail by securing with 1 screws (H) per each side. Tighten all screws using philips head screwdriver (NOT INCLUDED). Tighten all bolts on step 2 & 3 using L-key (J) following step 4 using L-key (I) that has been provided.



STEP 6



ASSEMBLY COMPLETED