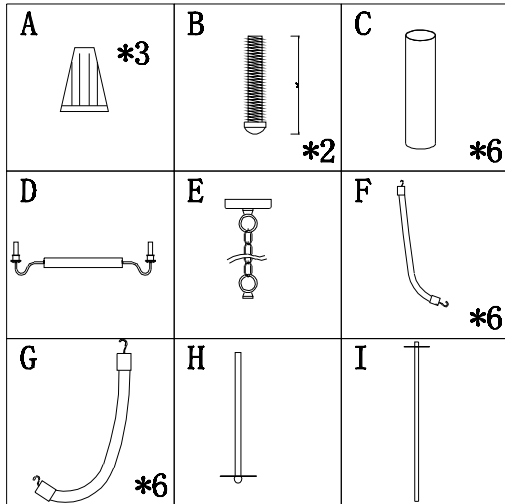
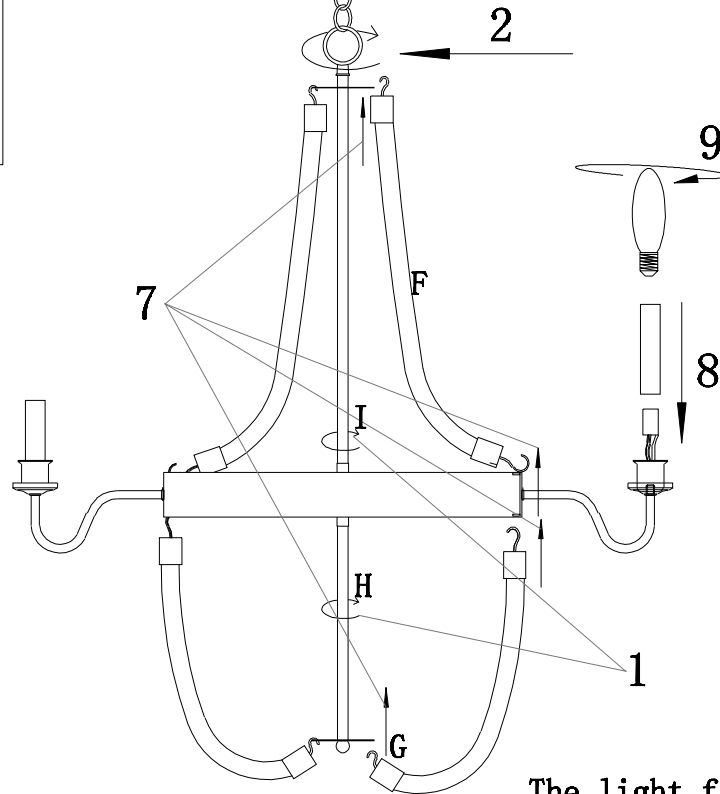
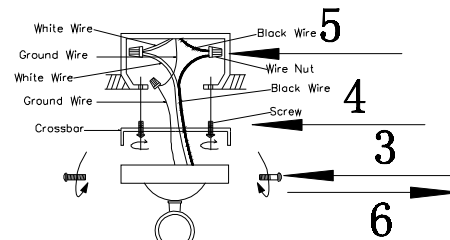
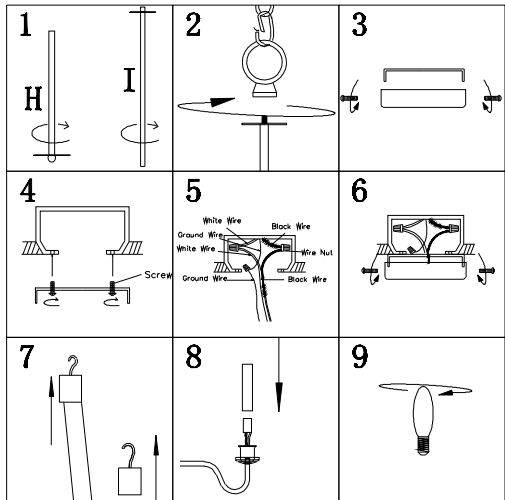


The parts and hardware below have been included for assembly:



Assembly Steps:



Disclaimer: Professional Installation recommended

Assembly Instruction:

1. Install part H and I on lampbody D separately like as picture.
2. Attach chain to top of lamp body by rotating it until tightened.
3. Remove screw (Picture 3) and take out crossbar.
4. Insert machine screw (B) through cross bar to attach cross bar on ceiling plate/box.
5. Use spiral hat(A) TO screw HOT wire (black wire) of lamp with black wire from supply; and screw Neutral wire (white wire) of lamp with white wire from supply; and screw Ground wire of lamp with Ground wire from supply.
6. Push up the cross bar and ceiling box and screw it to top of the chain.
7. Hang hemp rope F and G between the lamp body D and H and I separately like as picture.
8. Install Holder C (Picture 8)
9. Install bulbs (Bulbs not included)

Specification:

Dimension: 29.5*29.5"

Rated Voltage: 110V60Hz-4*40W

WARNING:

The light fixture can only be used indoors, please cut off power before installing the light fixture