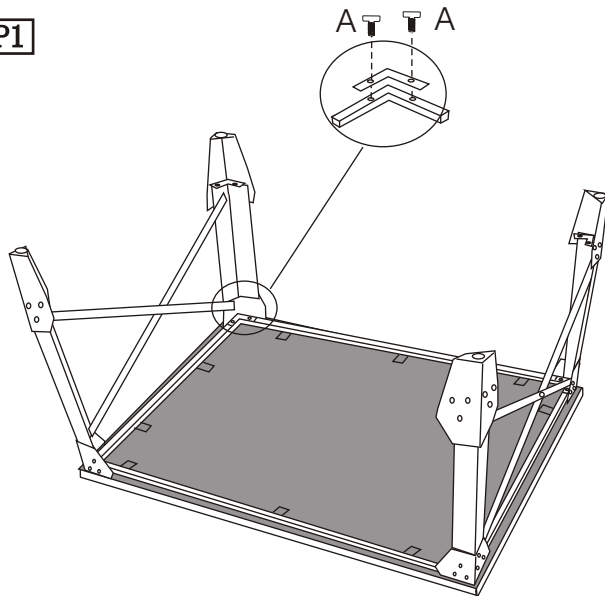
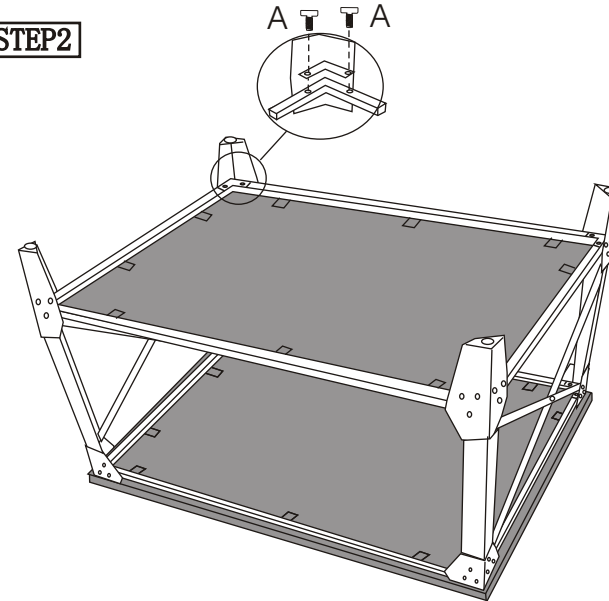


YLX-2694-CT

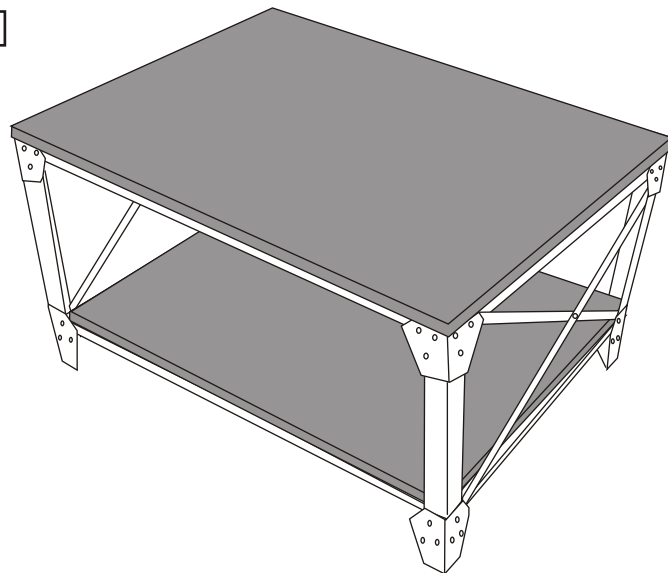
STEP1

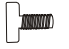



STEP2

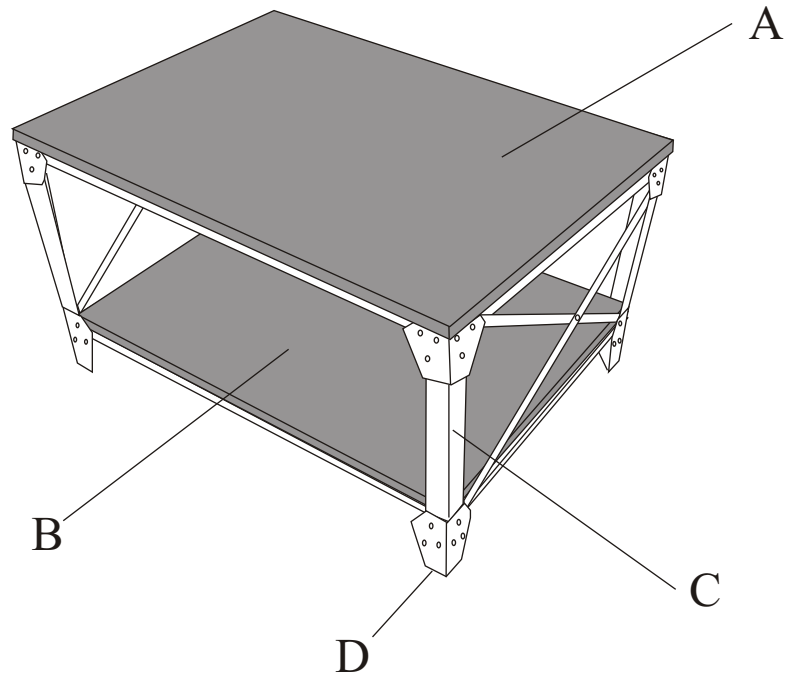


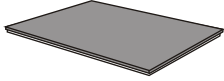
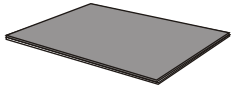
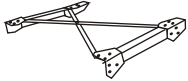

STEP3



A		16X	1/4"*12mm
B		1X	S4

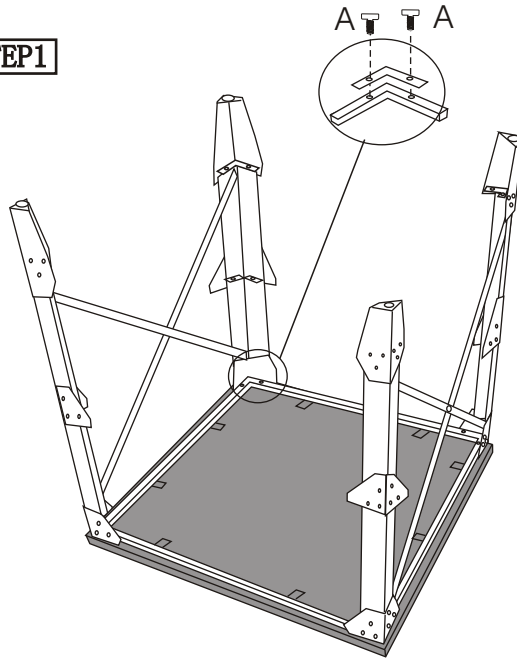
Note: Pls do not tighten all bolts until the products is assembled completely.



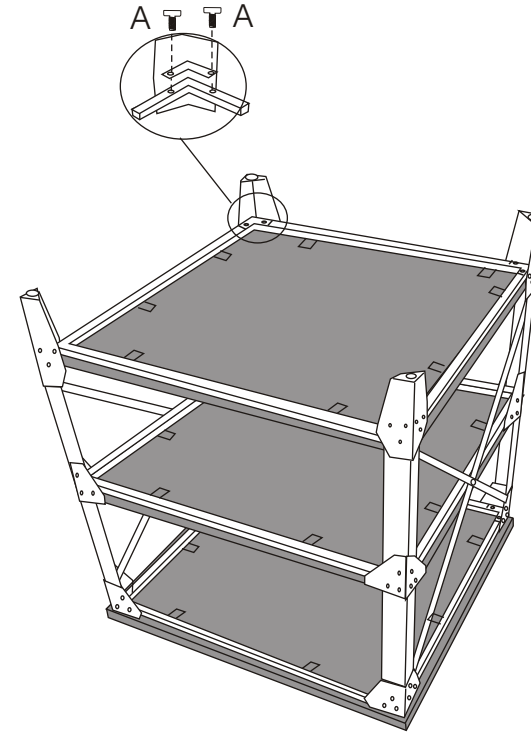
YLX-2694 CT	A		1X
	B		1X
	C		2X
	D	 $\phi 18*1/4''*10\text{mm}$	4X

YLX-2694-ET

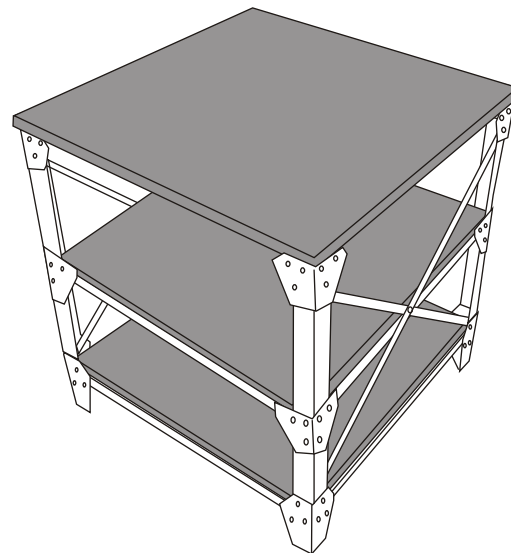
STEP1

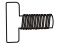



STEP2

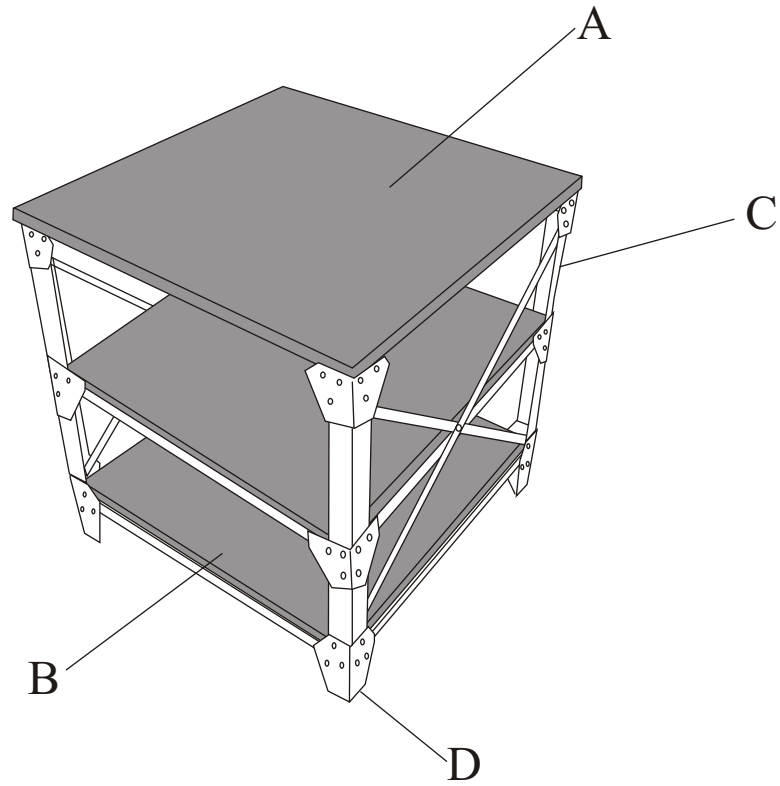


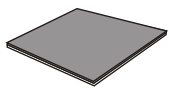
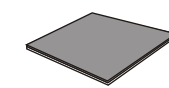
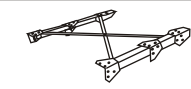

STEP3



A		24X	1/4"*12mm
B		1X	S4

Note: Pls do not tighten all bolts until the products is assembled completely.



YLX-2694 ET	A		1X
	B		2X
	C		2X
	D	 $\phi 18*1/4"*10\text{mm}$	4X