



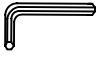
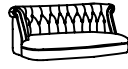
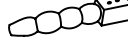



# ASSEMBLY INSTRUCTION

## HARDWARE LIST

NO	Shape	Specification	Quantity
A			8PC
B		5/16*1-3/4"	4PC
C			4PC
D			4PC
E		Allen Wrench 5mm	1PC

## PARTS IDENTIFICATION

NO	Part	Sketch	Quantity
1		TOP	1PC
2		LEG	2PCS
3		LEG	2PCS

