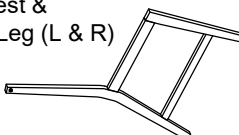
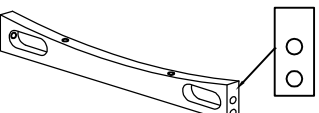



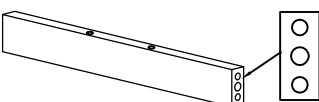

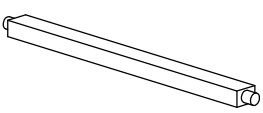



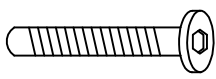





ASSEMBLY INSTRUCTIONS

MODEL : LW 99

PART LIST

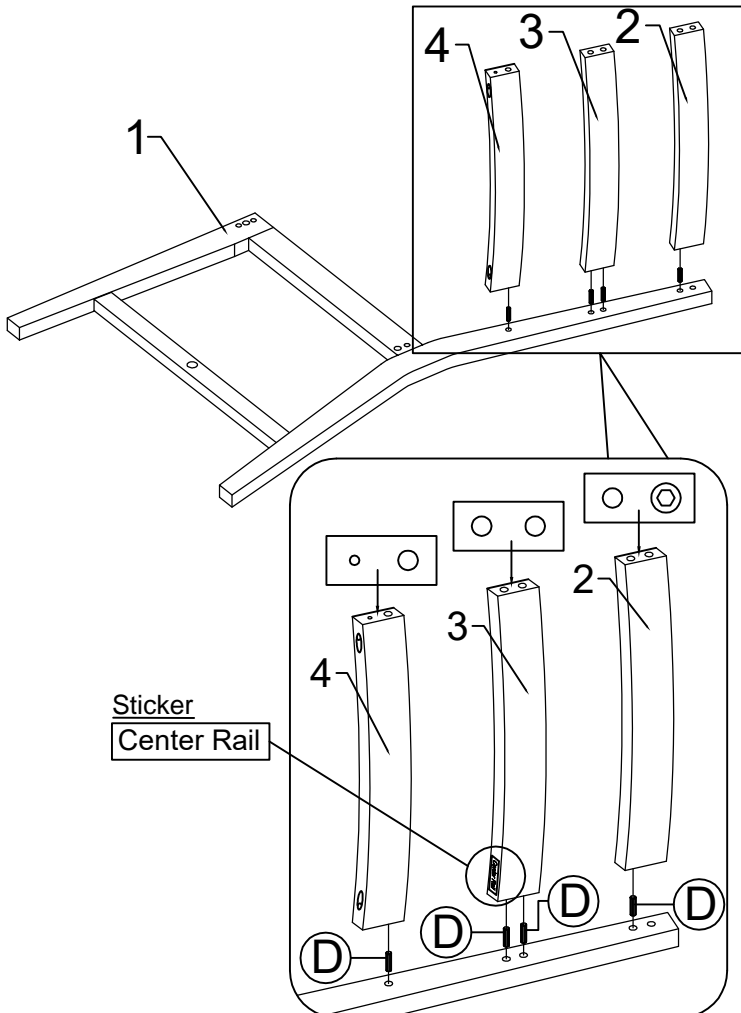
NO.	DESCRIPTION	QTY	NO.	DESCRIPTION	QTY
1	Backrest & Front Leg (L & R) 	2 PCS	5	Back Apron 	1 PC
2	Backrest - Top Rail 	1 PC	6	Cushion Seat 	1 PC
3	Backrest - Center Rail 	1 PC	7	Front Apron 	1 PC
4	Backrest - Bottom Rail 	1 PC	8	Leg Support 	1 PC

HARDWARE LIST

NO.	DESCRIPTION	QTY
A	JCBC BOLT M6x30mm 	2 PCS
B	JCBC BOLT M6x40mm 	4 PCS
C	SPRING WASHER 	6 PCS
D	WOOD DOWEL M8x30mm 	14 PCS
E	CSK SCREW M4x32mm 	8 PCS
F	ALLEN KEY 	1 PC
G	WOOD BUTTON 	2 PCS

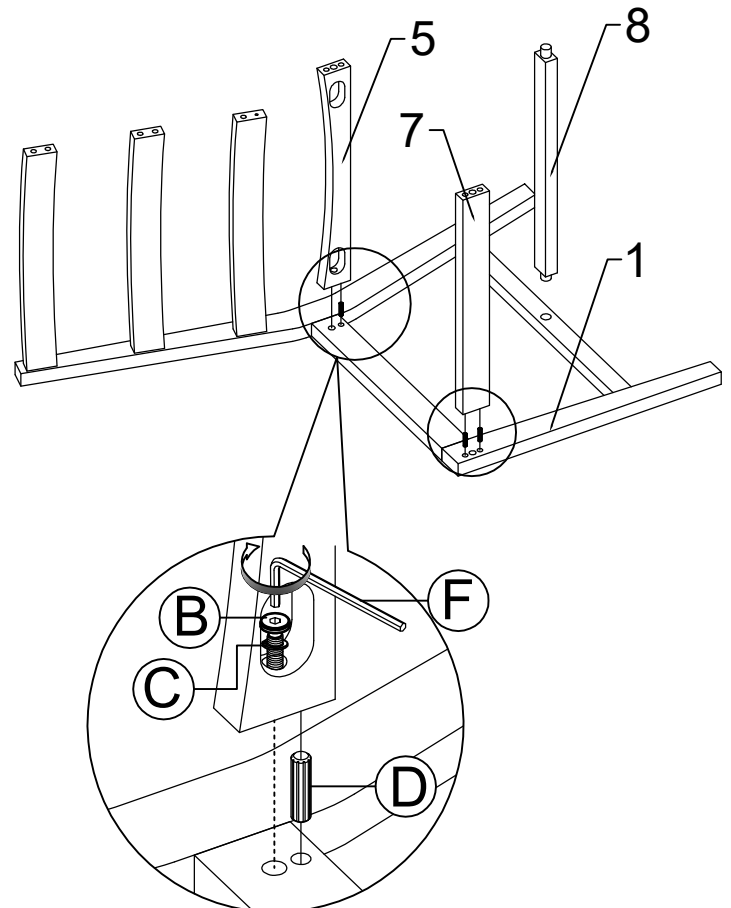
STEP 1

Attach Backrest (Top, Center & Bottom Rail) to Backrest & Front Leg (R) using Wood Dowel.



STEP 2

Attach back & front apron to Backrest & Front Leg(R) using wood dowel, screw it up with JCBC Bolt M6x40mm & Spring Washer. Then, put the Leg Support on backrest & Front Leg (R).

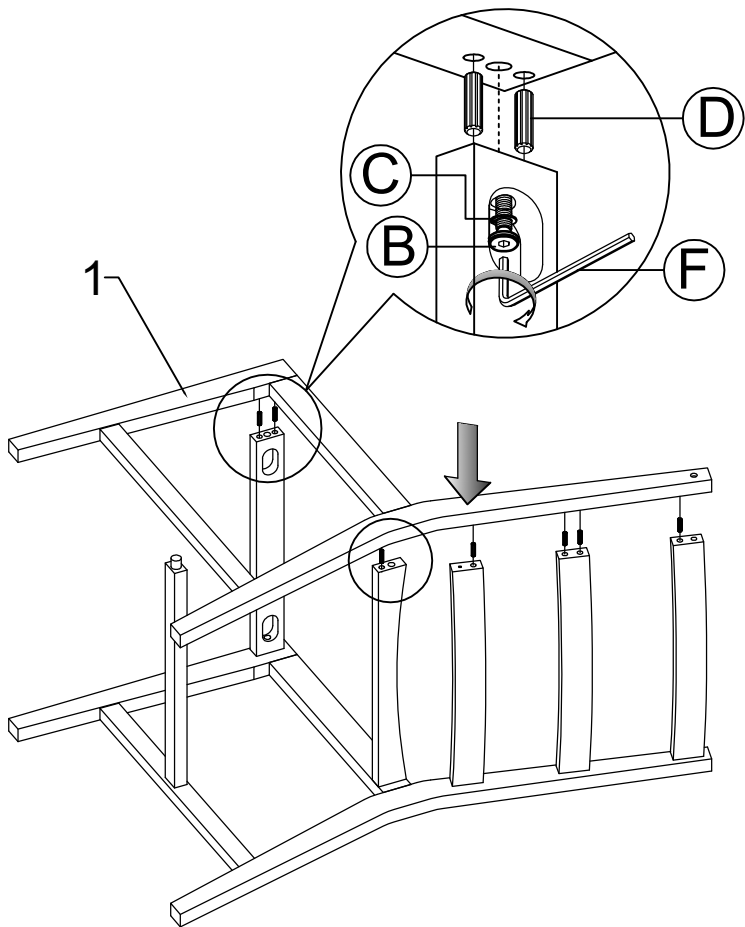


ASSEMBLY INSTRUCTIONS

MODEL : LW 99

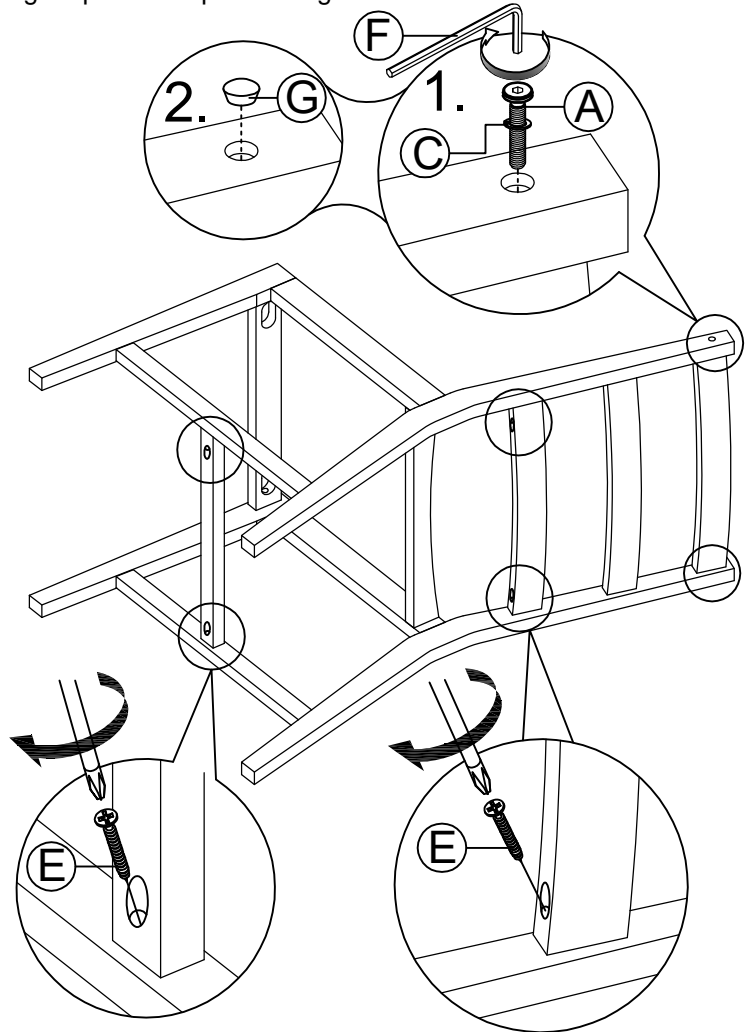
STEP 3

Attach Backrest & Front Leg (L) on semi complete chair parts using Wood Dowel. Then, screw it up using JCBC Bolt M6x40mm and Spring Washer.



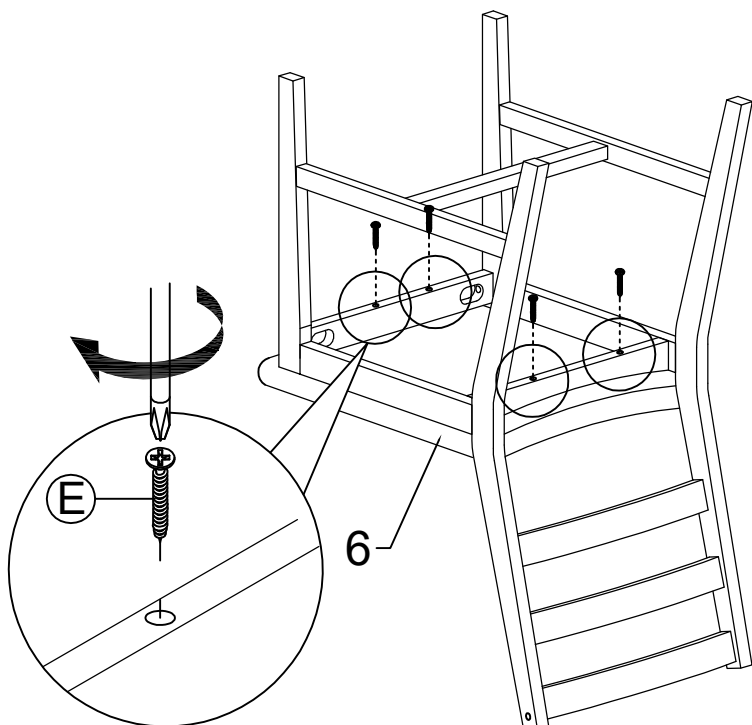
STEP 4

Screw in Top Rail using JCBC Bolt M6x30mm & Spring Washer. Then, cover up holes with Wood Button. Tight up the rest parts using CKS Screw M4x32mm.



STEP 5

Screw in Cushion Seat using CSK Screw M4x32mm.



COMPLETE

