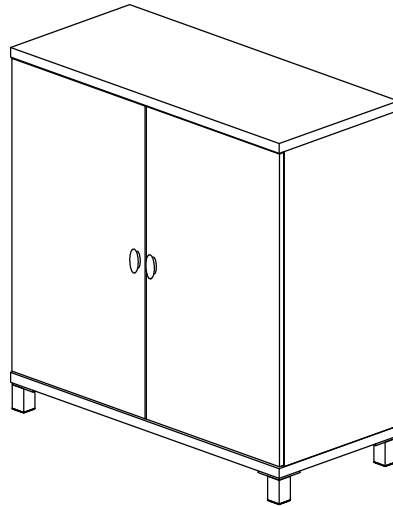
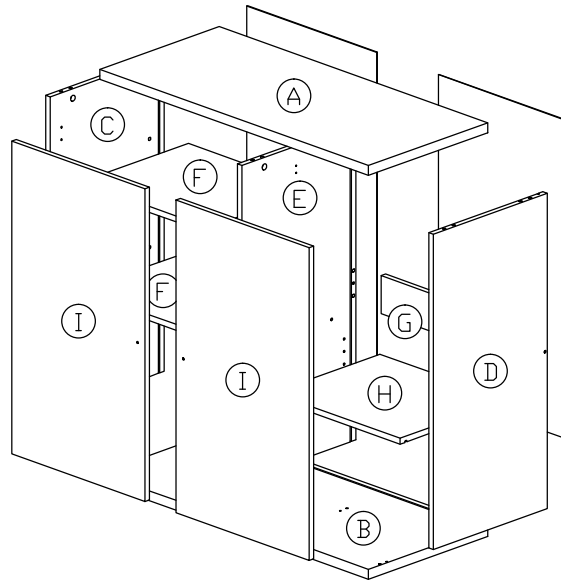


# Assembly Instruction

Model : WI6469



## Part List



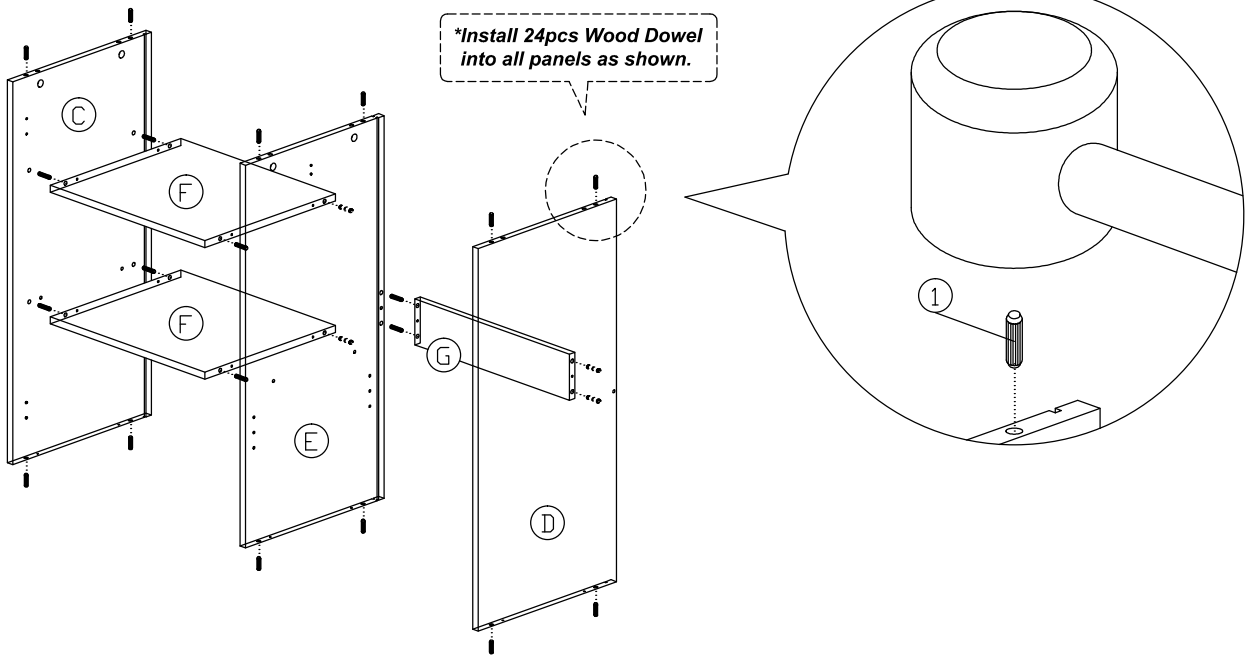
### Hardware List

No.	SHAPE	DESCRIPTION	Qty.
1		<b>8x25mm Wood Dowel</b>	24Pcs
2		<b>15MM Titus Mini Fix</b>	6Sets
3		<b>TP 10#x1/2" Screw</b>	16Pcs
4		<b>M3.5x15mm Screw</b>	16Pcs
5		<b>M3x16mm Screw</b>	4Pcs
6		<b>M5x38mm Screw</b>	6Pcs
7		<b>M4x50mm Screw</b>	6Pcs
8		<b>Shelf Support</b>	4Pcs
9		<b>Handle (P058) - Plastic Handle Screw M3.6x24mm</b>	2Sets

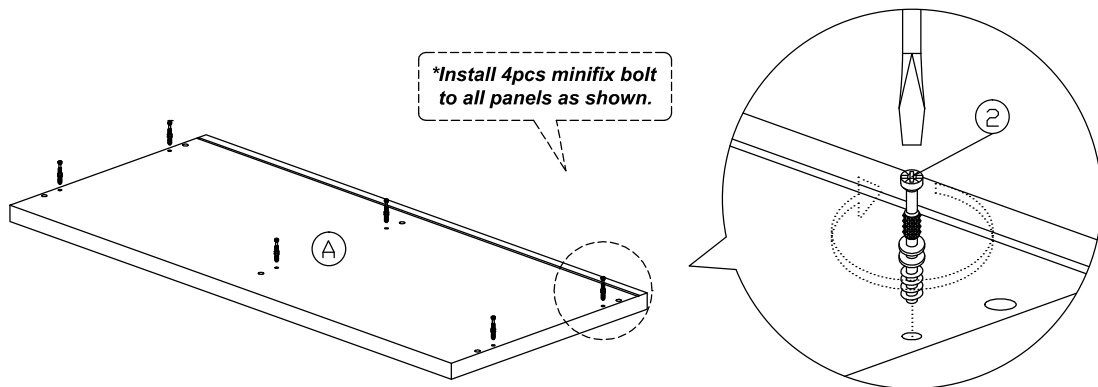
10		<b>Z Bracket</b>	2Pcs
11		<b>Hinges (F011)</b>	4Sets
12		<b>15mm Minifix Cap</b>	6Pcs
13		<b>Screw Cap</b>	3Pcs
14		<b>Nail</b>	8Pcs
15		<b>Plastic Sofa Leg (H 70mm)</b>	4Pcs
16		<b>Metal Hook</b>	5Pcs
17		<b>V Bracket</b>	2Pcs
18		<b>Cylinder Pipe (chrome - 420mm)</b>	1Pc

# Assembly Instruction

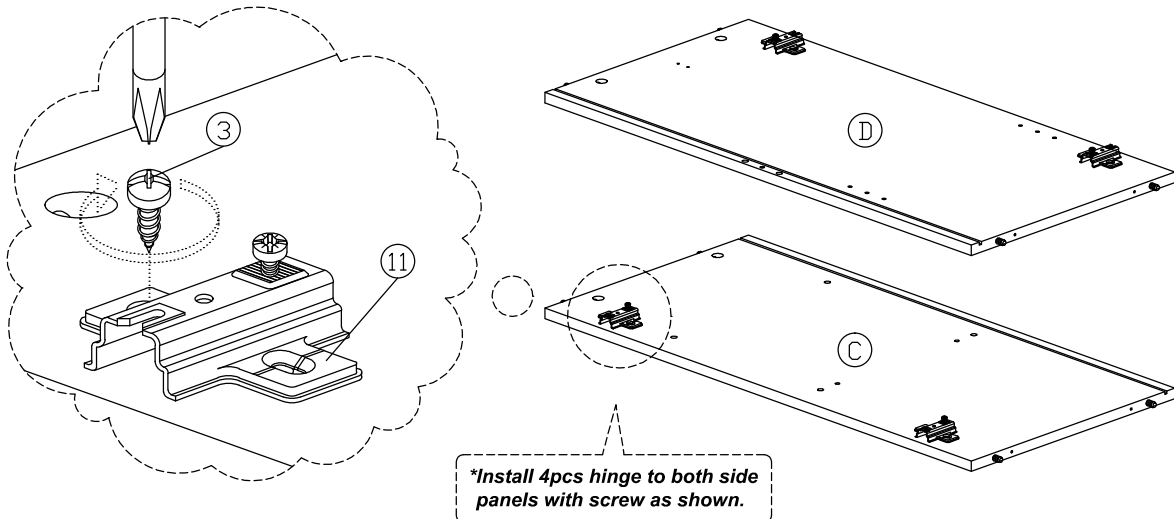
## Step 1



## Step 2

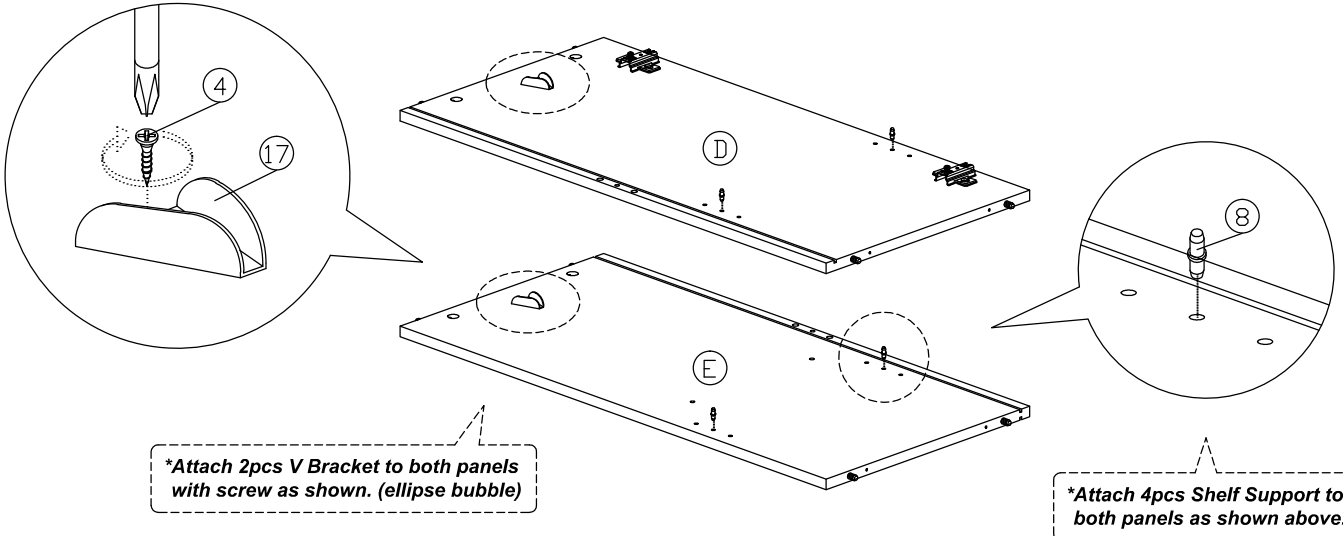


## Step 3

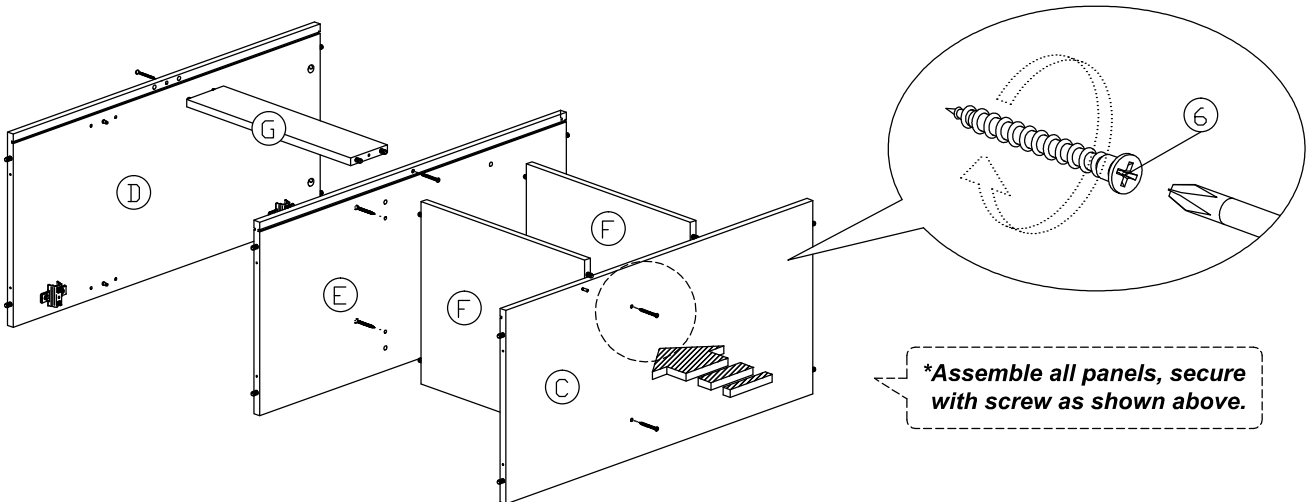


# Assembly Instruction

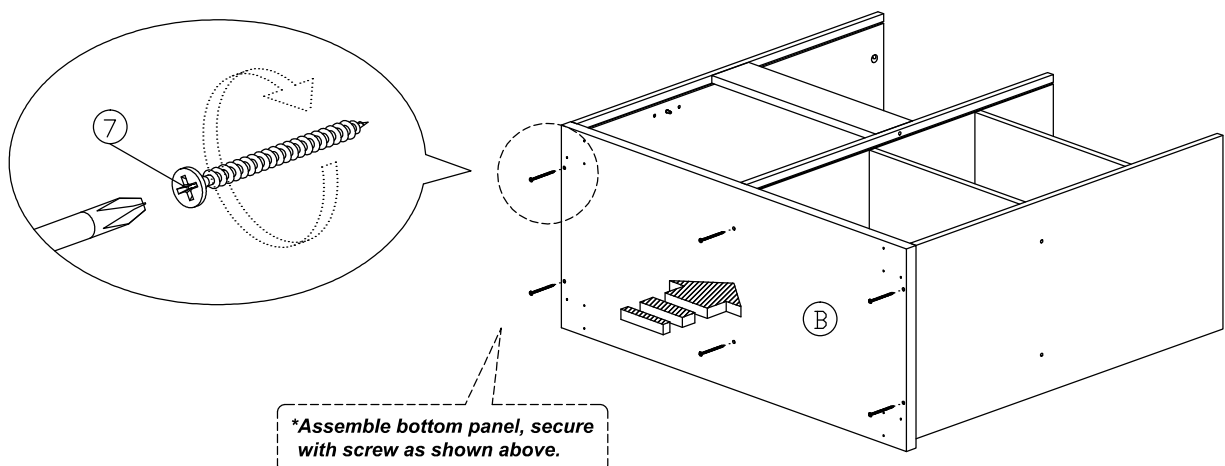
## Step 4



## Step 5

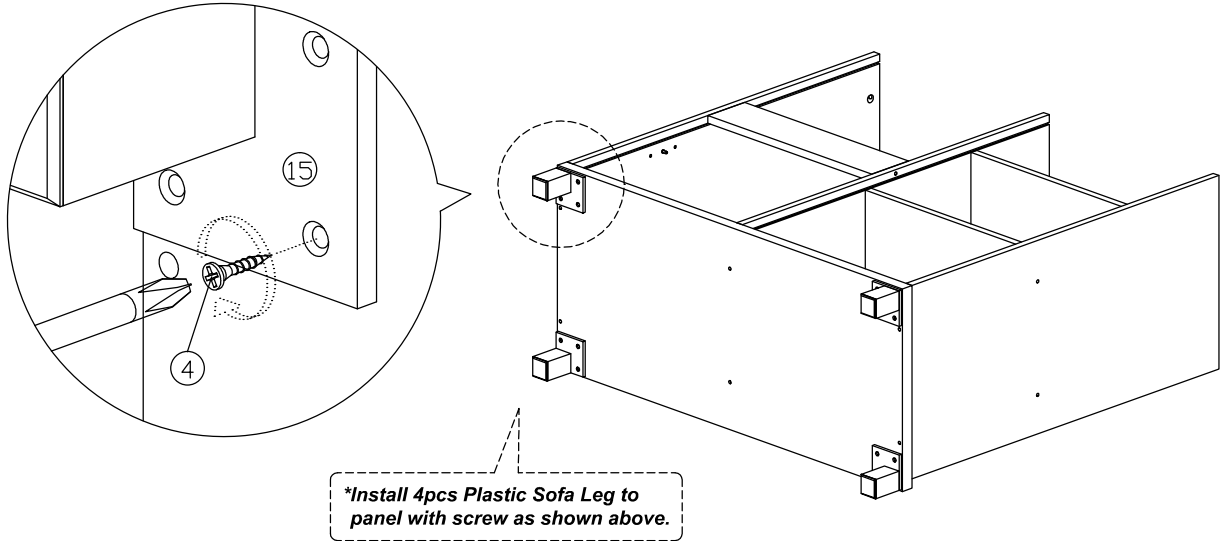


## Step 6

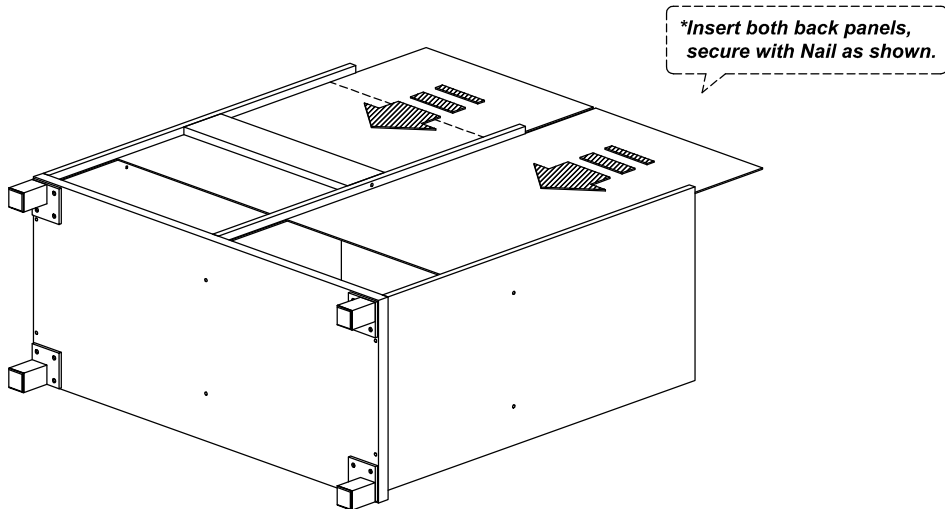


# Assembly Instruction

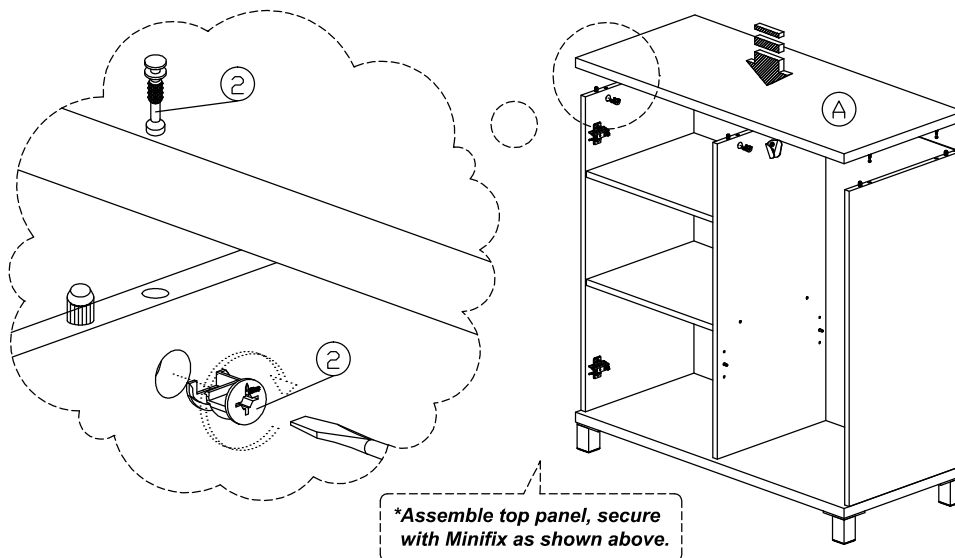
## Step 7



## Step 8



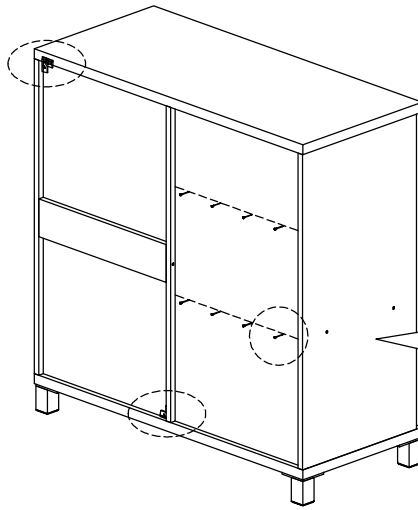
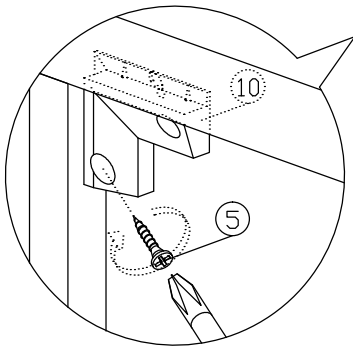
## Step 9



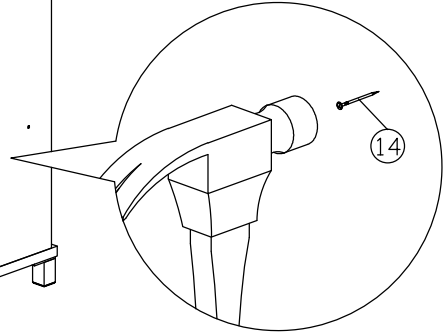
# Assembly Instruction

## Step 10

*\*Install Z Bracket with screw as shown. (ellipse bubble)*

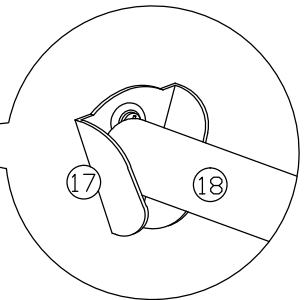
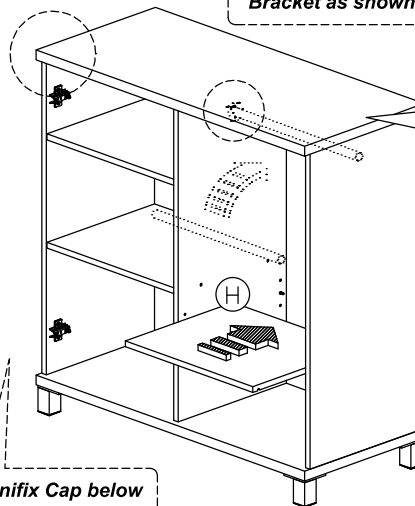
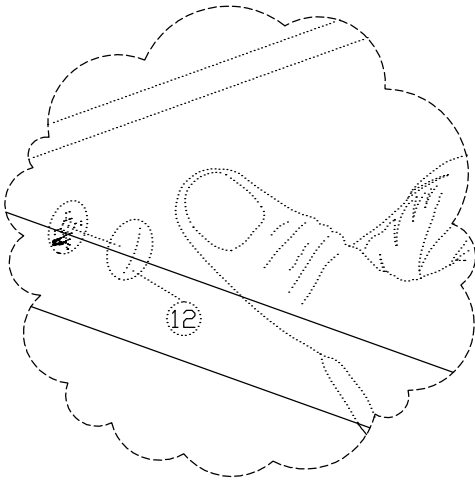


*\*Secure back panel with Nail as shown.*



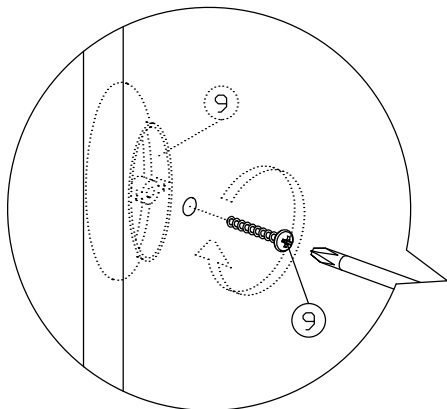
## Step 11

*\*Place Pipe to V Bracket as shown.*

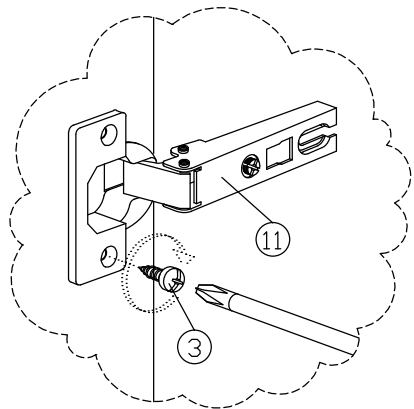
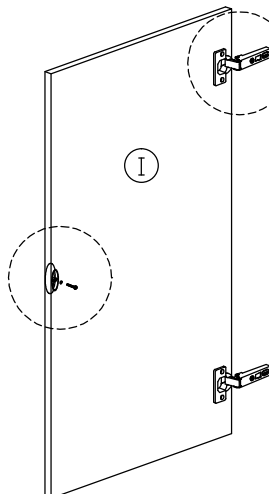


*\*Attach 6pcs Minifix Cap below on top panel as shown.*

## Step 12



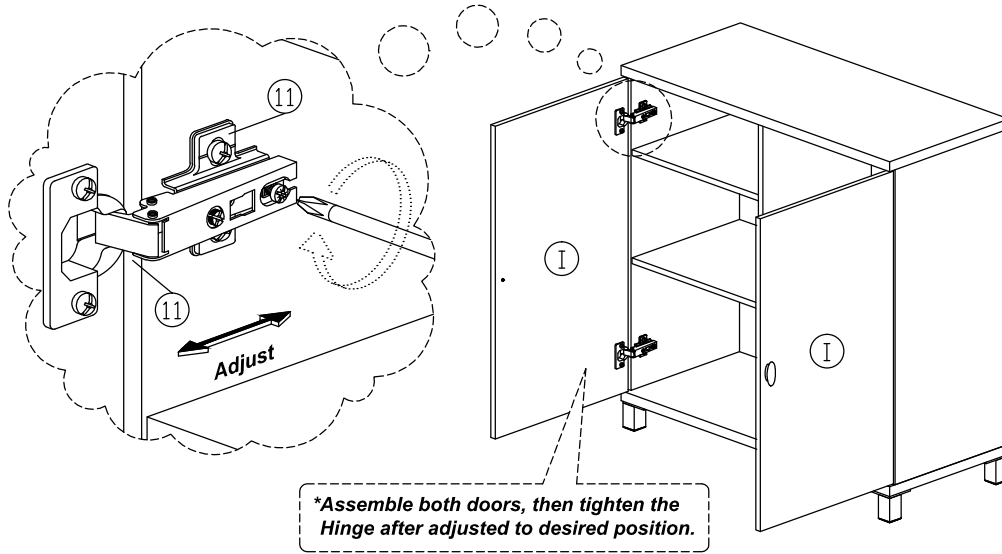
*\*Install Handle to both doors with screw as shown.*



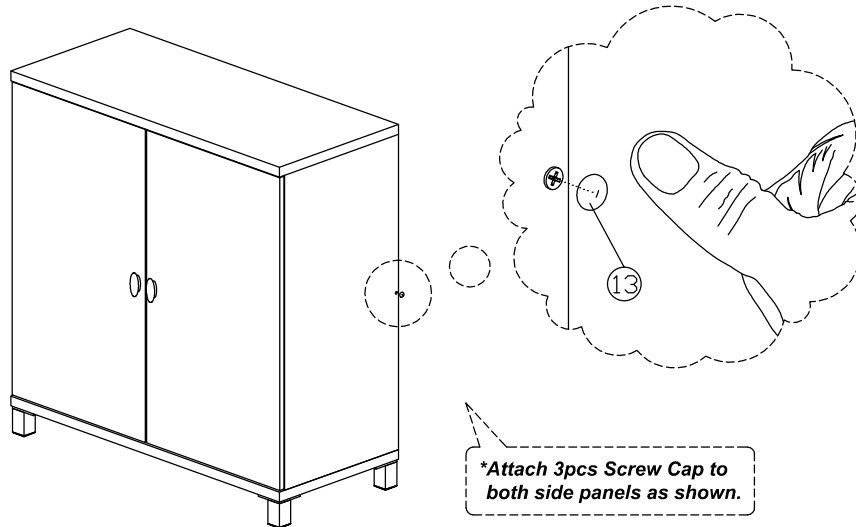
*\*Install Hinges (F011) with screw as shown.*

# Assembly Instruction

## Step 13



## Step 14



## Complete

