

Assembly Instruction

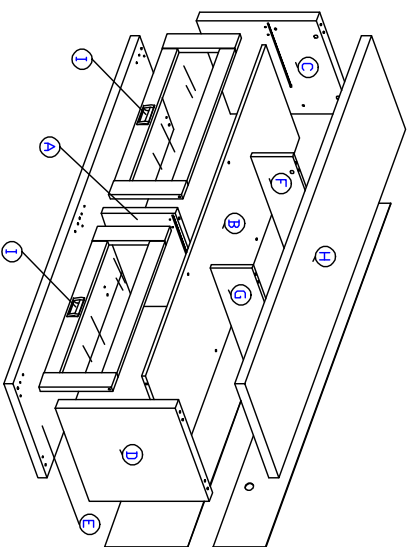


Model : FTV 885

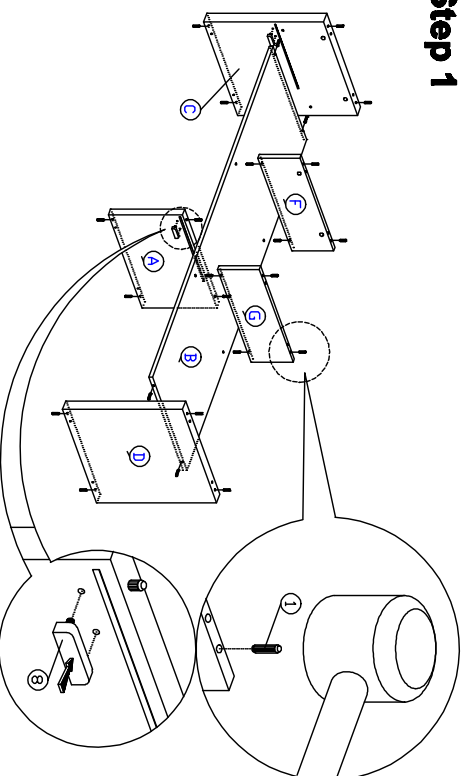


1		2		3		4		5		6		7		8		9		10		10 b		4 Sets		
1X24		1X4		1X20		1X6		1X50		6 B		8 Sets	6 b		1X4		1X4		1X5		10 B		10 b	

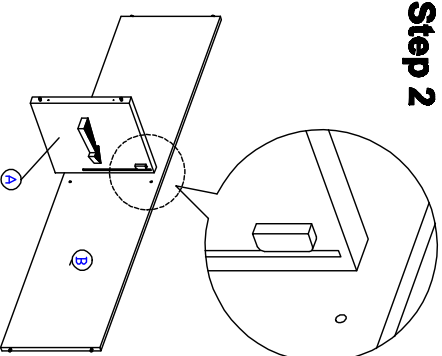
PART LIST



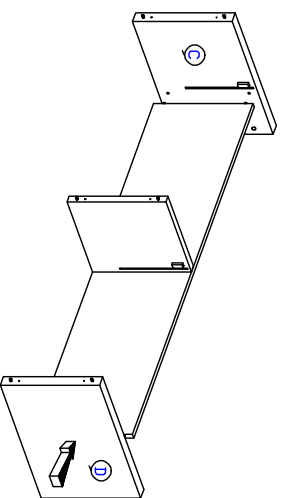
Step 1



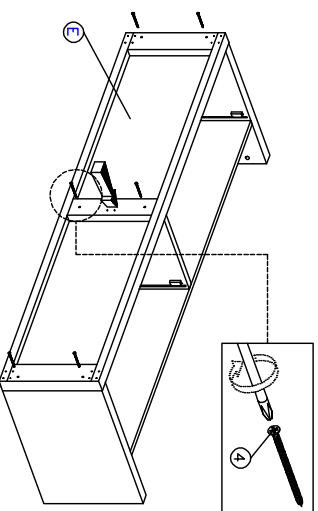
Step 2



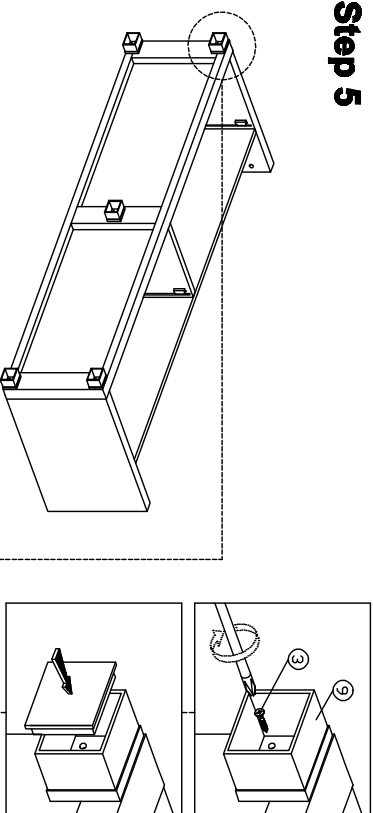
Step 3



Step 4



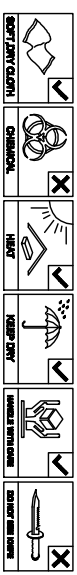
Step 5



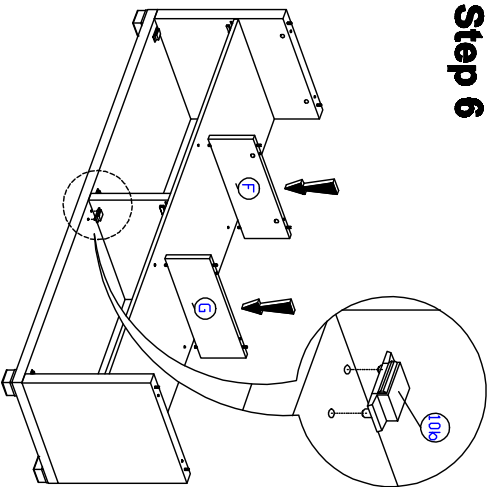
Assembly Instruction



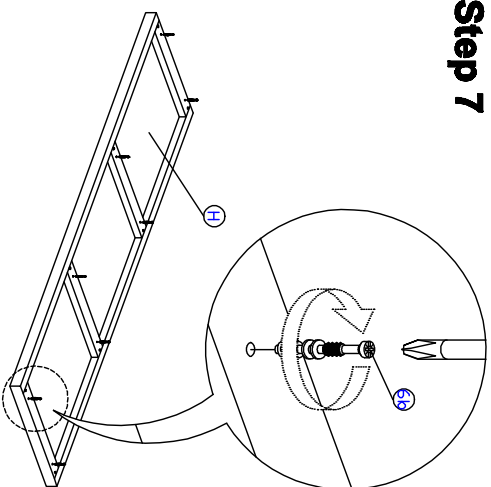
Model : FTV 885



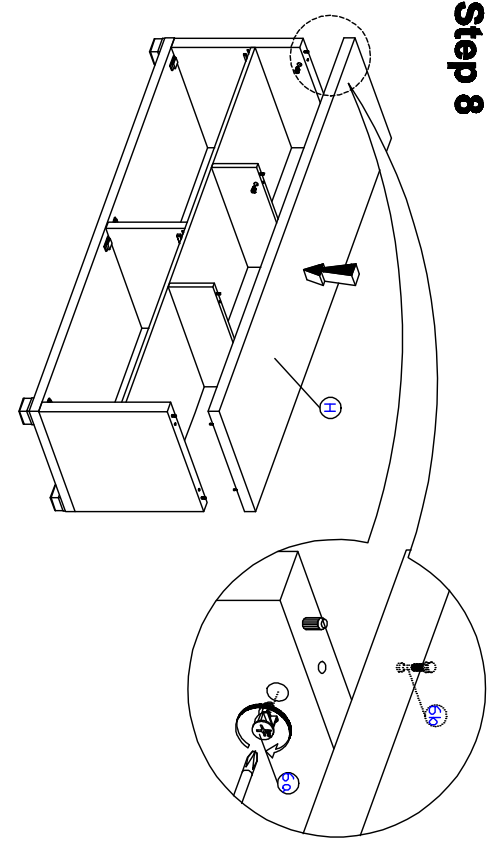
Step 6



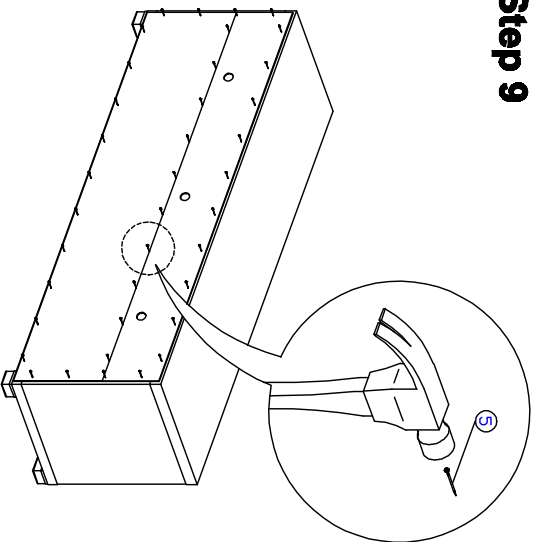
Step 7



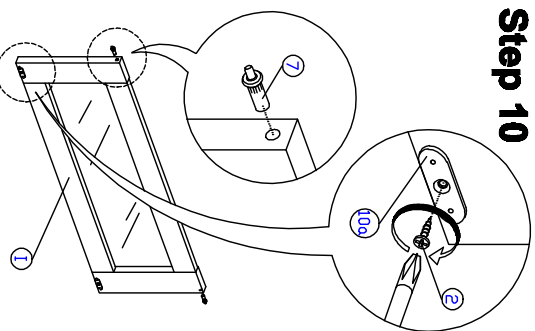
Step 8



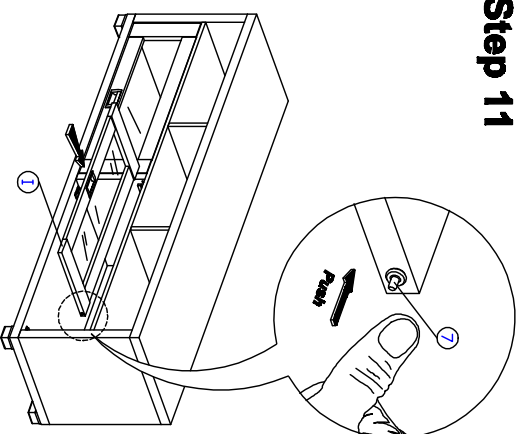
Step 9



Step 10



Step 11



Complete

