





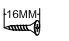






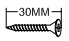







# ASSEMBLY INSTRUCTION

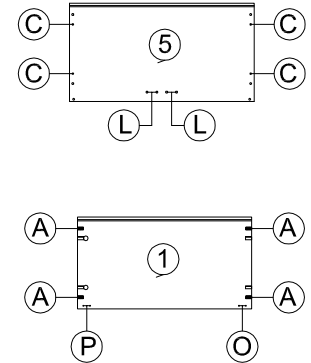
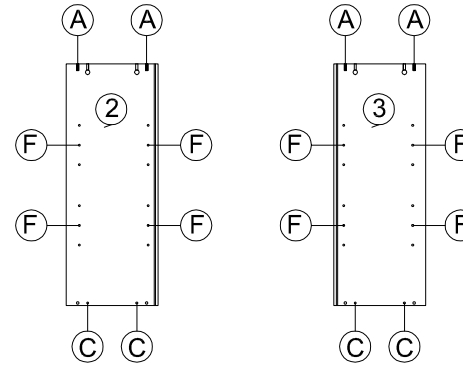
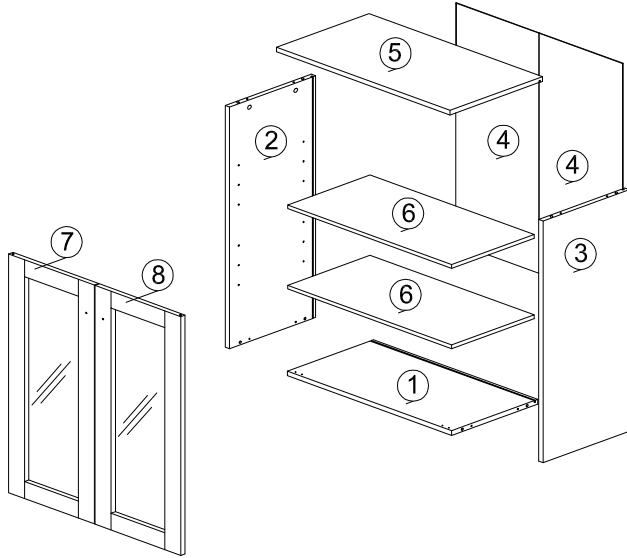
## A12 / B12 - 2 DOOR MULTIPURPOSE CABINET

<b>A</b>  WOOD DOWEL 8 X 25	<b>B</b>  MINIFIX -15MM (HOUSING)	<b>C</b>  MINIFIX - 15MM (EURO 24)	<b>D</b>  MINIFIX CAP	<b>E</b>  L KEY	<b>F</b>  METAL SHELF SUPPORT	<b>G</b>  CB SCREW M3,5X16MM	<b>H</b>  HANDLE 5022 (METAL)	<b>I</b>  HANDLE SCREW M4X19MM	<b>J</b>  DOOR SUPPORT SPRING	<b>K</b>  MAGNET PLATE (1 HOLE)	<b>L</b>  MAGNET 3.5 KG	<b>M</b>  CB SCREW M3X12MM	<b>N</b>  CB SCREW M4X30MM	<b>O</b>  L4	<b>P</b>  R4	<b>Q</b>  3MM PVH ~ 770MM	<b>R</b>  5038 PVC SQUARE LEG	<b>S</b>  MIRROR BRACKET
--	---	--	---	--	--	--	--	--	--	--	---	--	--	---	---	---	---	--

### PART LIST

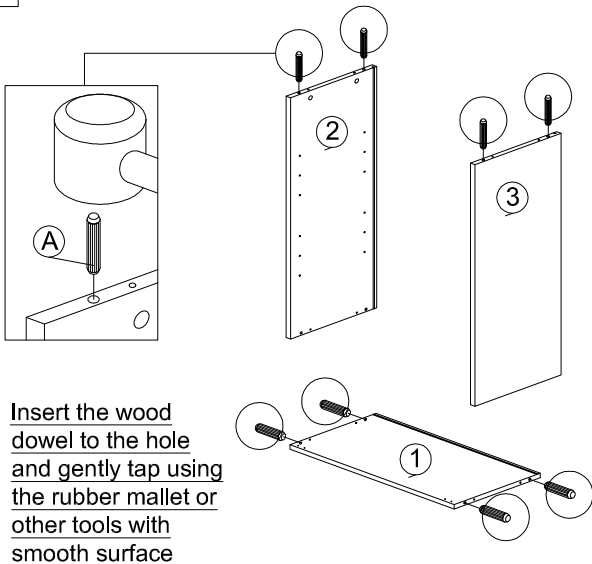
### COMPLETED

### HARDWARE MARKING

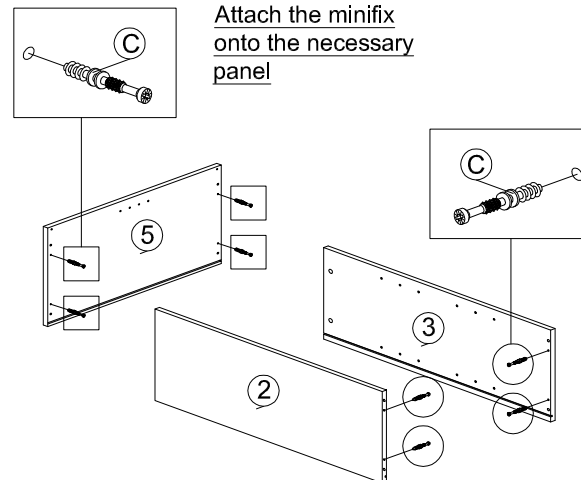


Use this marking point to install the hardware

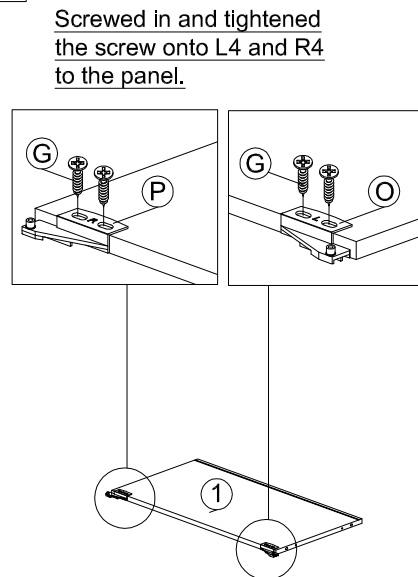
1



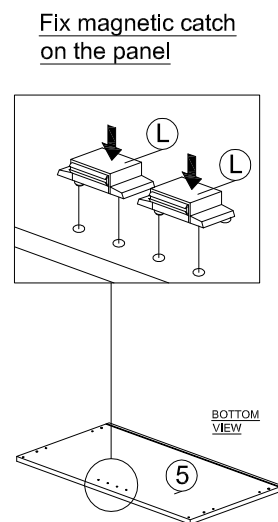
2



3



4

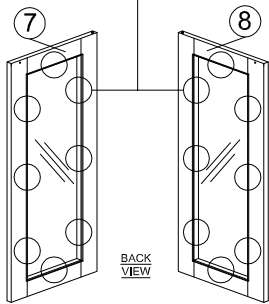
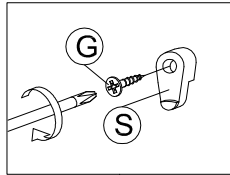


# ASSEMBLY INSTRUCTION

## A12 / B12 - 2 DOOR MULTIPURPOSE CABINET

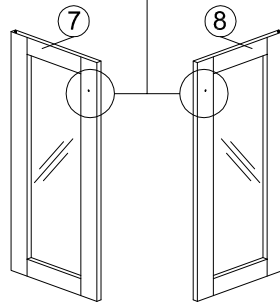
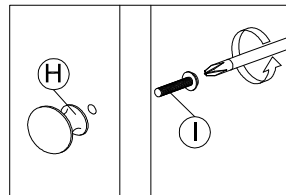
5

Fix mirror bracket  
to both door



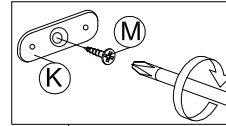
6

Fix handle knob  
to both door

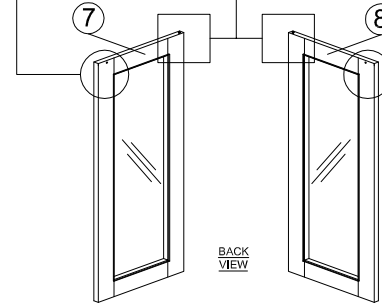
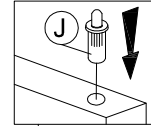


7

Fix magnetic plate  
to both door panel

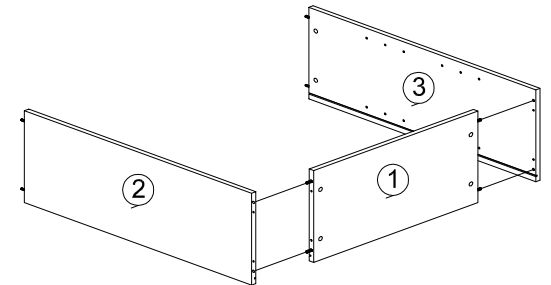


Insert door support  
spring into hole



8

Follow the number  
steps below to fix all  
joints.

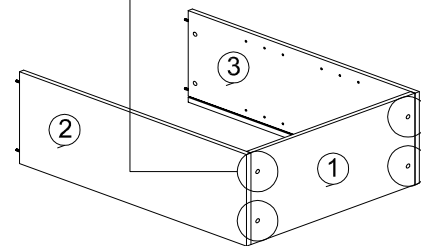
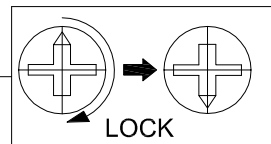
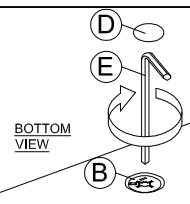
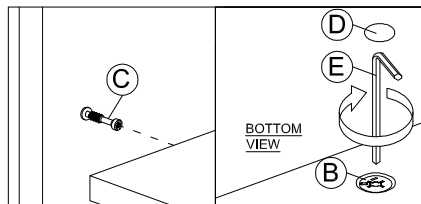


9

**Step 1**  
Join the panel  
with minifix  
(euro) tightly.

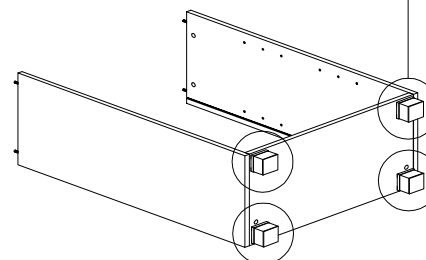
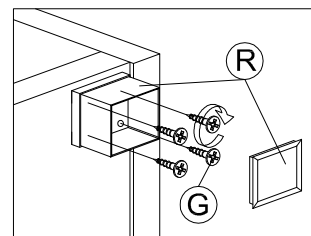
**Step 2**  
Insert the minifix  
(housing) and lock  
it by using L key.

**Step 3**  
Fully lock by turn  
the minifix (housing)  
clockwise. Then,  
press minifix cap to  
cover the hole.



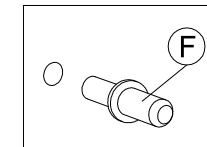
10

Fix and screwed PVC  
leg to the bottom panel

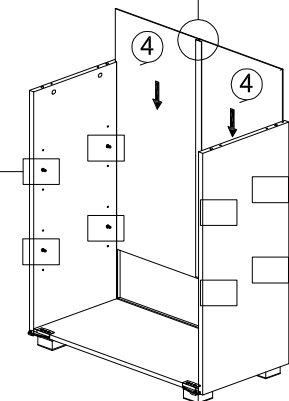
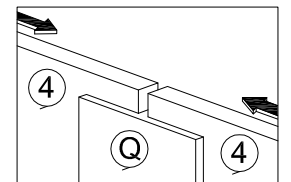


11

Fix the metal shelf  
support in the hole



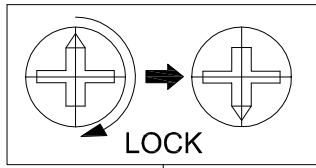
Insert the back panel  
in between PVH profile



# ASSEMBLY INSTRUCTION

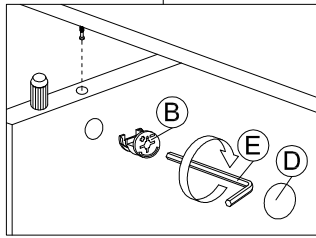
## A12 / B12 - 2 DOOR MULTIPURPOSE CABINET

12

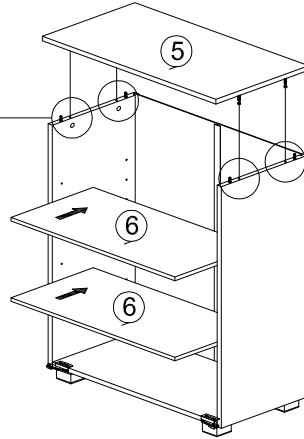


**Step 3**  
Fully lock by turn the minifix (housing) clockwise. Then, press minifix cap to cover the hole.

**Step 2**  
Insert the minifix (housing) and lock it by using L key.

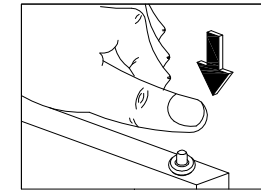
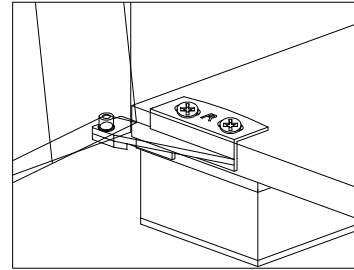


**Step 1**  
Fix in the adjustable shelf.

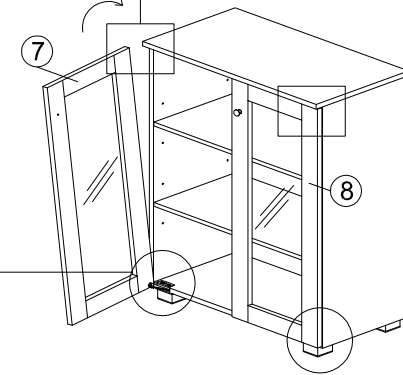


13

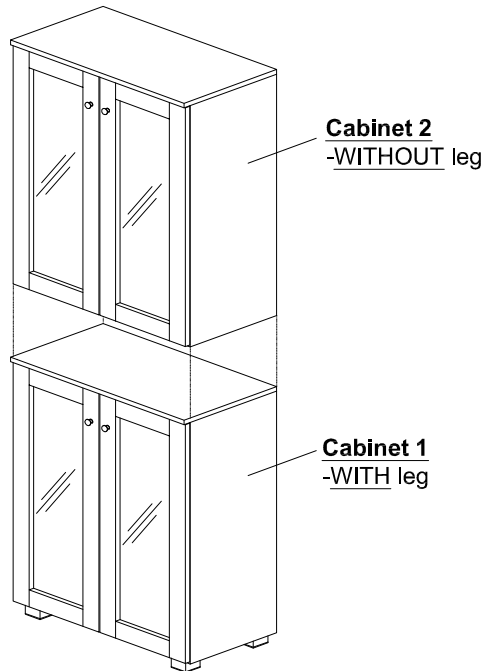
**Step 1**  
Insert lower door hole into L4 and R4



**Step 2**  
Press down door support spring and release after reach a hole in a bottom of the top



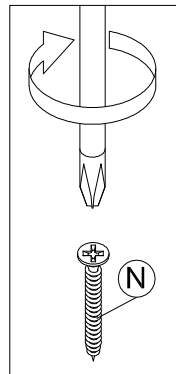
14



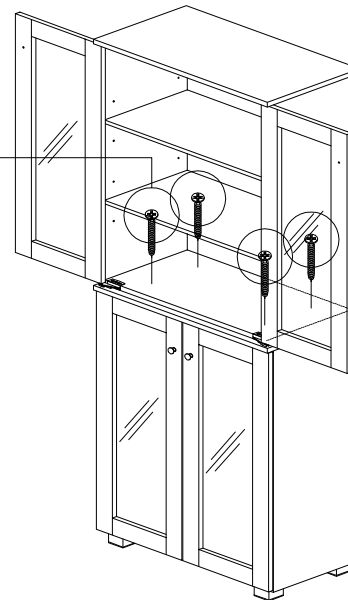
**Cabinet 2**  
-WITHOUT leg

**Cabinet 1**  
-WITH leg

15



Screw from bottom Cabinet 2 (WITHOUT leg) to combined both of cabinet



16

**2 IN 1**  
**CABINET**  
**ASSEMBLY**  
**COMPLETED**

