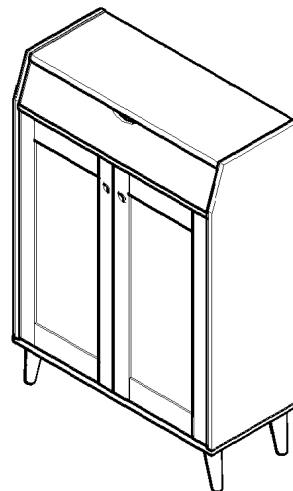
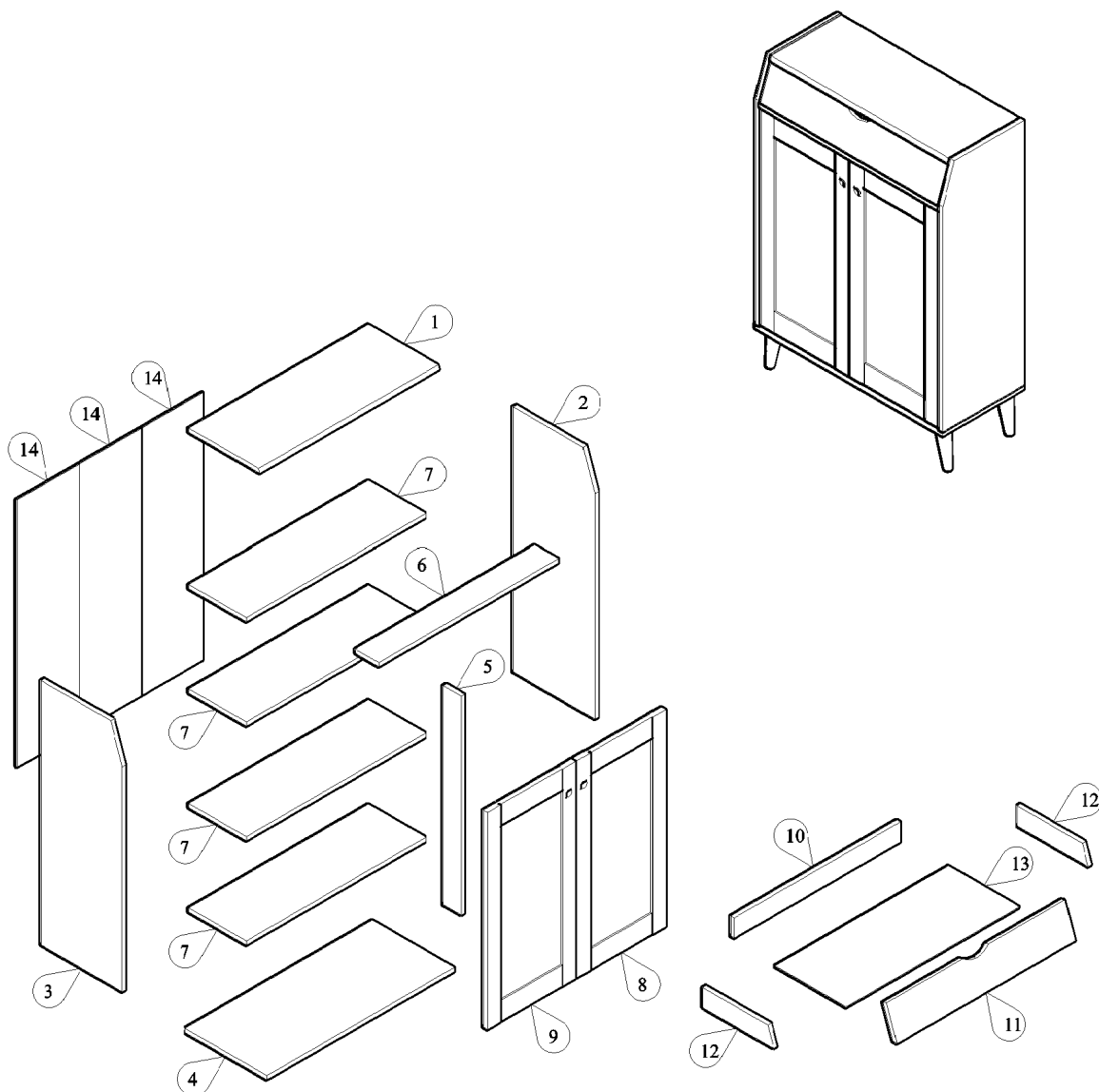
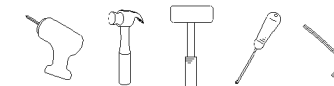


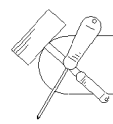
MODEL : SE SC 7003-1WI-CLB

PANEL POSITION



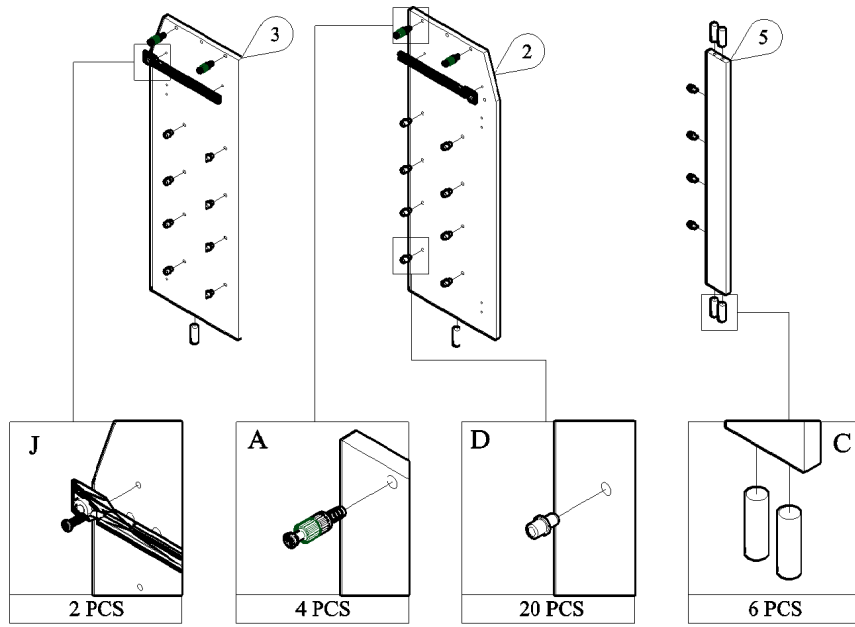
	ACCESSORIES	QUANTITY
A	MINIFIX M5x24MM	4 PCS
B	MINIFIX CASING	4 PCS
C	WOOD DOWEL M8x30MM	12 PCS
D	IRON SHELF SUPPORT	20 PCS
E	SCREW M6x50MM	4 PCS
F	SCREW M4x38MM	8 PCS
G	POWER PIN	42 PCS
H	PVC LEG (148MM) SCREW M3.5x16MM	4 PCS 16 PCS
I	HINGES 7/8" SCREW M3.5x16MM	4 PCS 24 PCS
J	DRAWER SLIDE 12" SCREW M3.5x12MM	1 SET 12 PCS
K	PVC "H" RAIL	2 PCS
L	ALLEN KEY	1 PC
M	RING HANDLE (BLACK)	2 PCS
N	NYLON CABLE (BLACK)	1 PC
O	WALL PLUG	1 PC
P	SCREW M4x28MM	1 PC
Q	WOSE	2 PCS
R	SCREW M3.5x16MM	1 PC



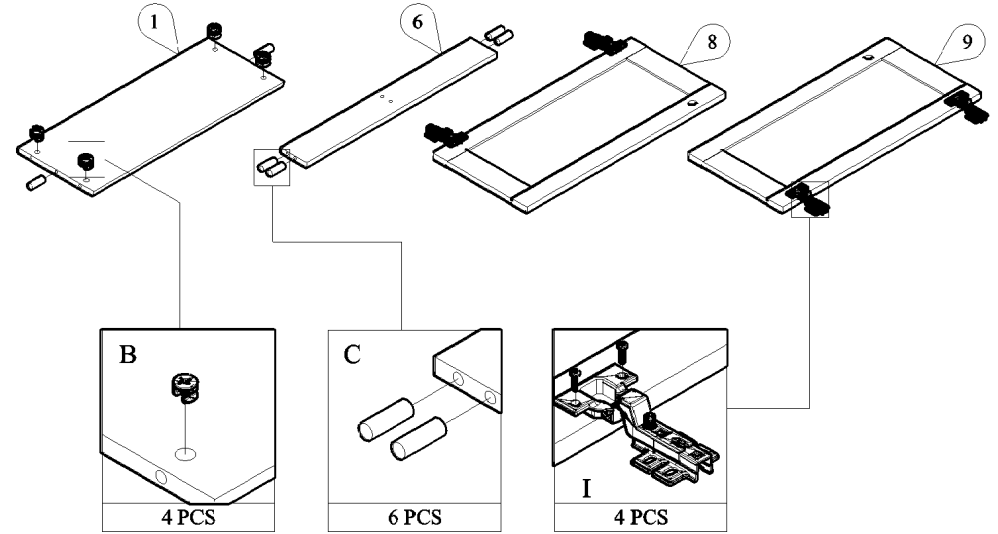


START ASSEMBLY

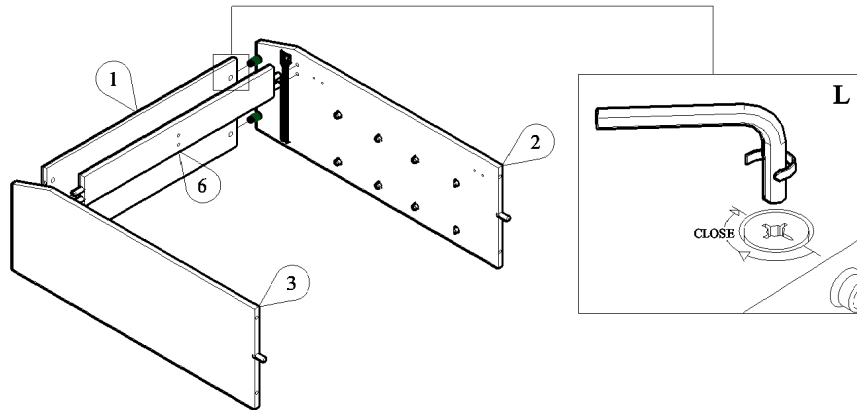
STEP 1



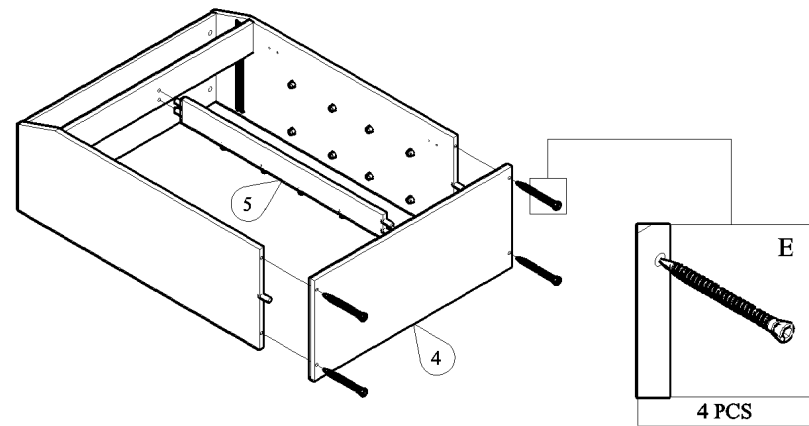
STEP 2



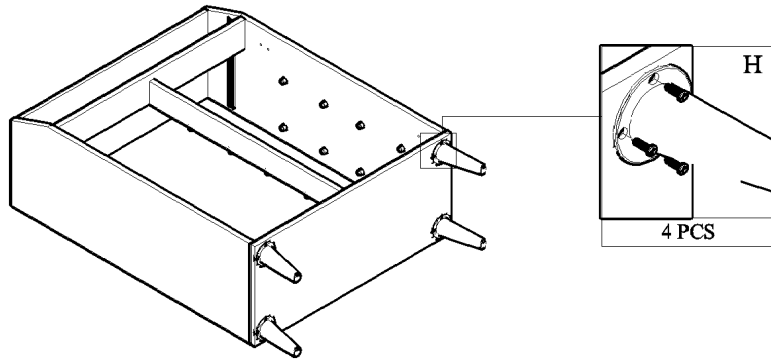
STEP 3



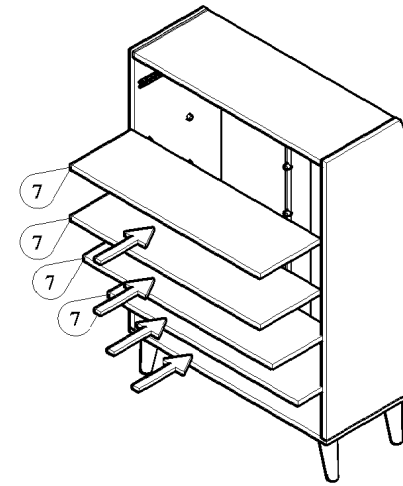
STEP 4



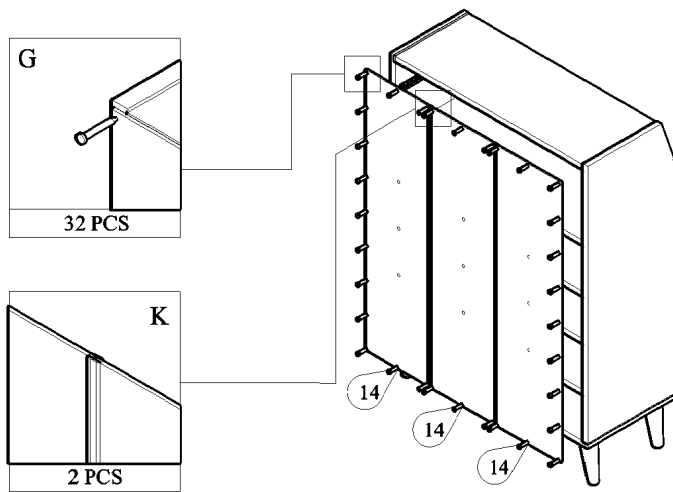
STEP 5



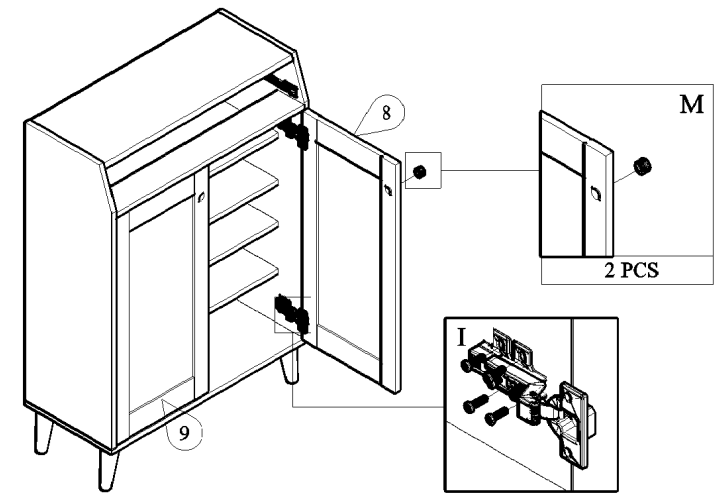
STEP 6



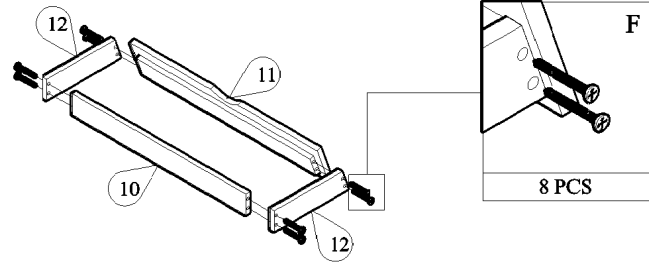
STEP 7



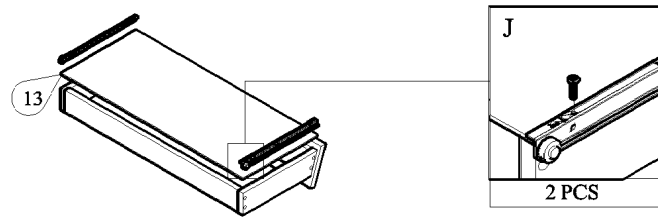
STEP 8



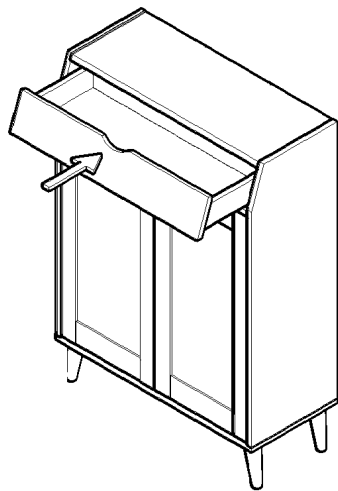
STEP 9



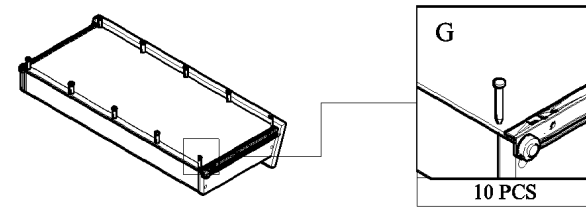
STEP 10



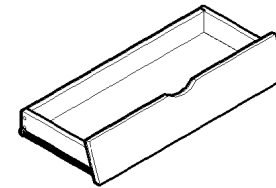
STEP 12



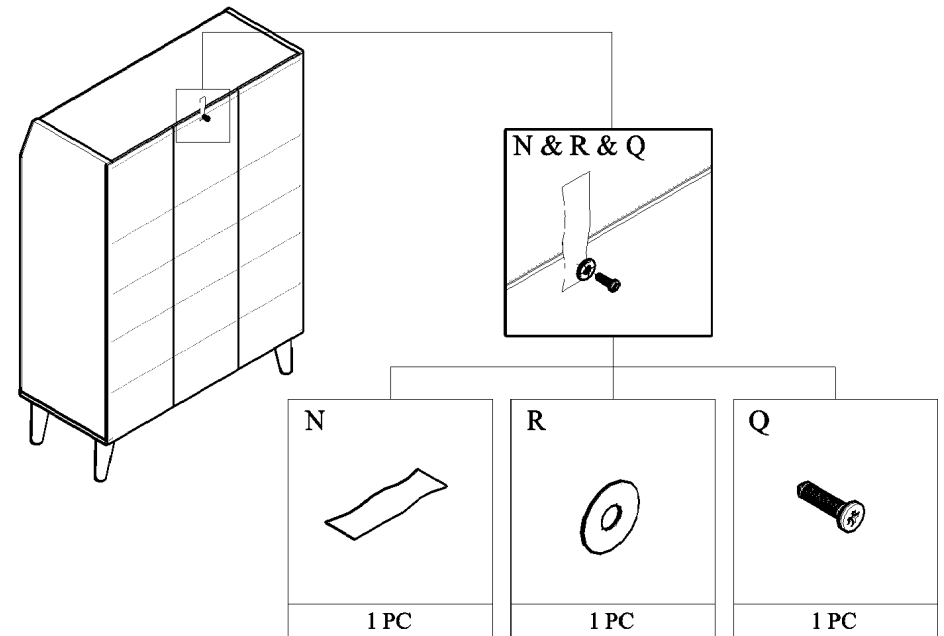
STEP 11



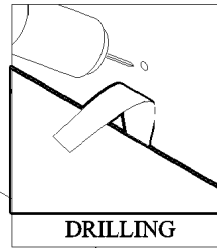
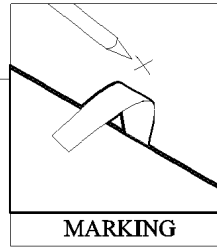
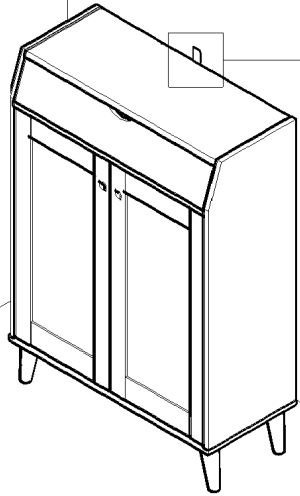
COMPLETED DRAWER



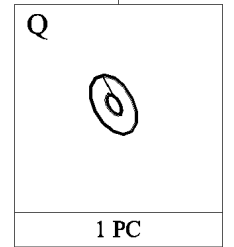
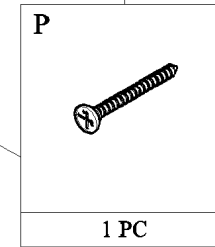
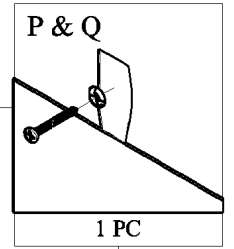
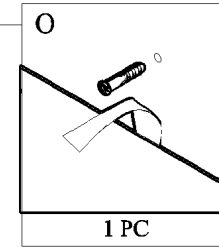
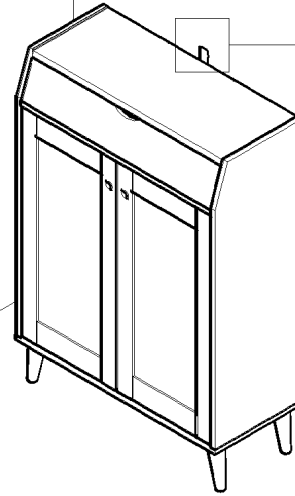
STEP 13



STEP 14



STEP 15



COMPLETED

