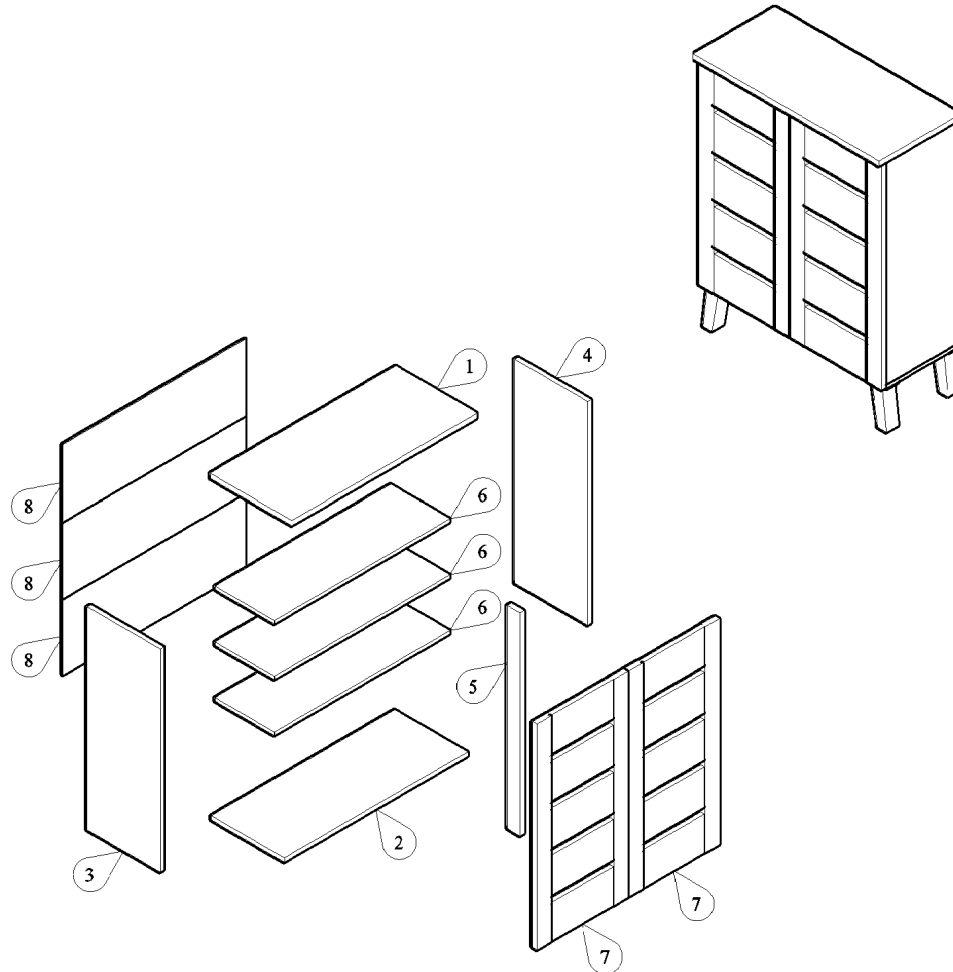


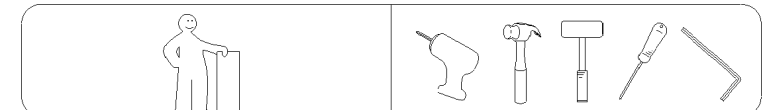
# MODEL : SE SC 16108WI-DG HO

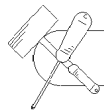
PANEL POSITION



	ACCESSORIES		QUANTITY
A		MINIFIX M5 x 24MM	2 PCS
B		MINIFIX CASING	2 PCS
C		WOOD DOWEL M8 x 30MM	8 PCS
D		IRON SHELF SUPPORT	15 PCS
E		SCREW M7 x 50MM	4 PCS
F		PVC LEG (135 MM) SCREW M3.5 x 16MM	4 PCS 16 PCS
G		POWER PIN	25 PCS
H		HINGES 5/8" SCREW M3.5 x 16MM	4 PCS 24 PCS
I		PVC "H" RAIL	2 PCS
J		ALLEN KEY	1 PC
K		BUFFER	2 PCS
L		NYLON COTTON	1 PC
M		WALL PLUG	1 PC
N		SCREW M4 x 28MM	1 PC
O		WOSE	2 PCS
P		SCREW M3.5 x 16MM	1 PC

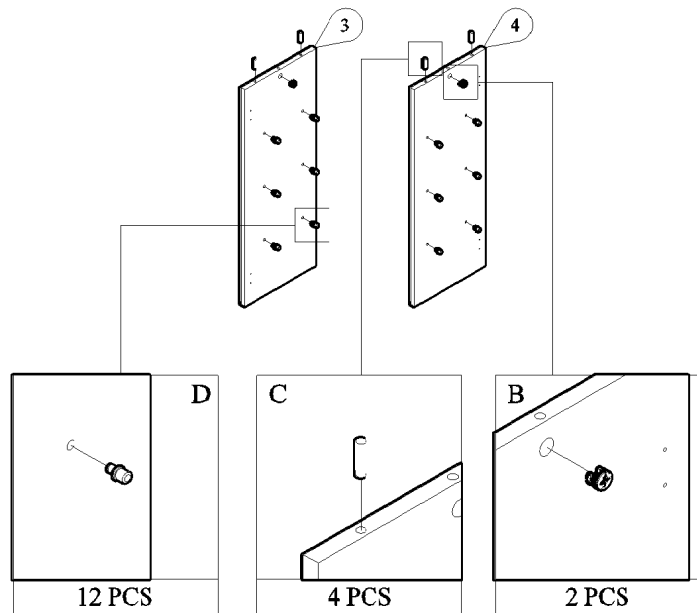
CHEMICAL		HANDLE WITH CARE		KEEP DRY		HARD SURFACE	



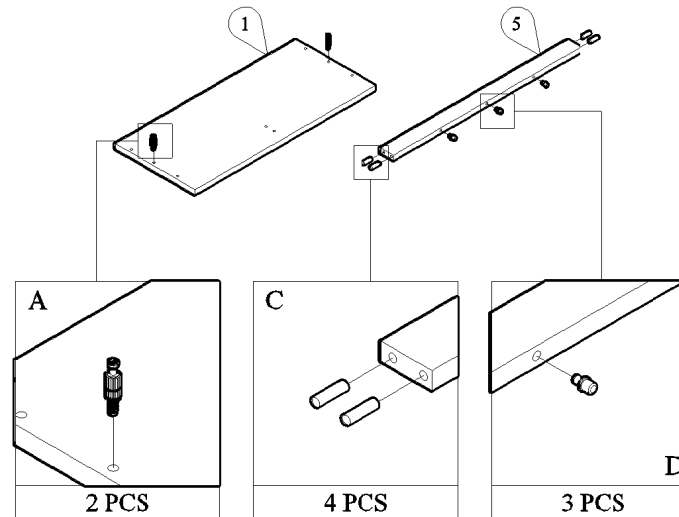


# START ASSEMBLY

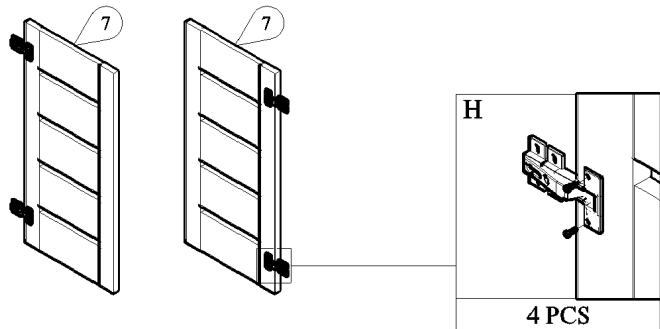
## STEP 1



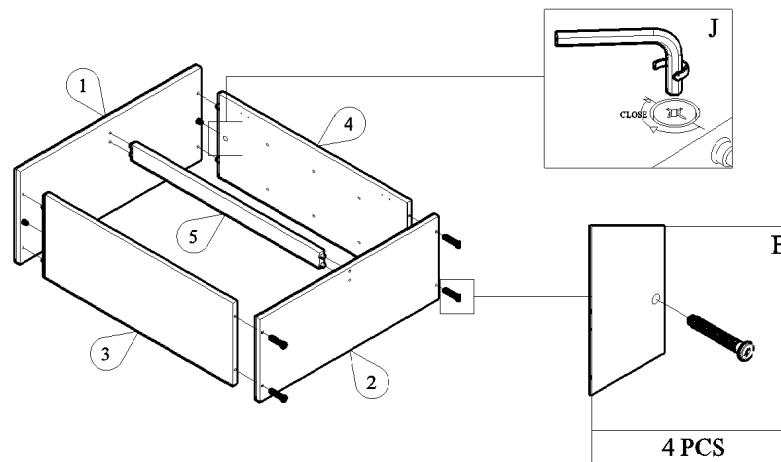
## STEP 2



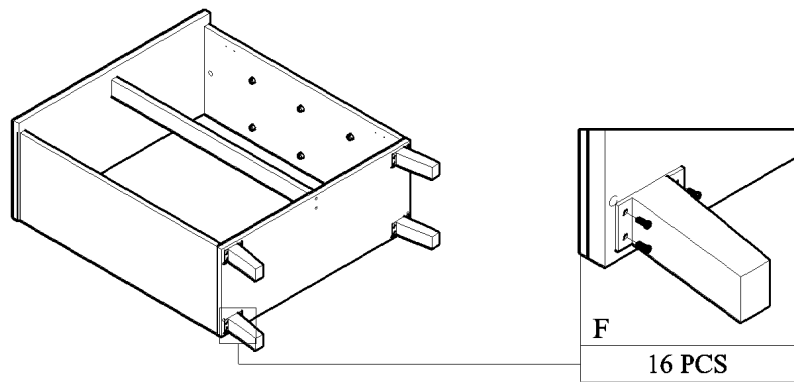
## STEP 3



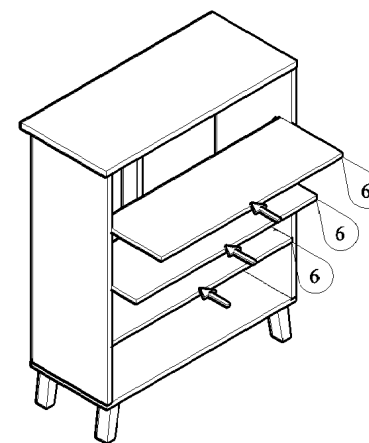
## STEP 4



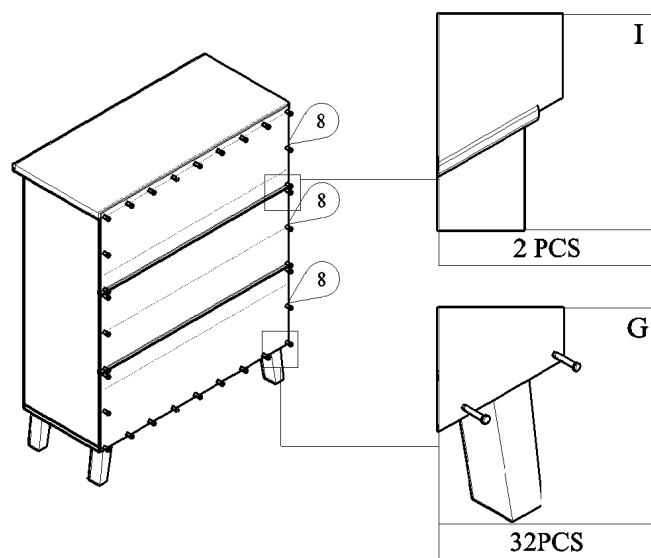
STEP 5



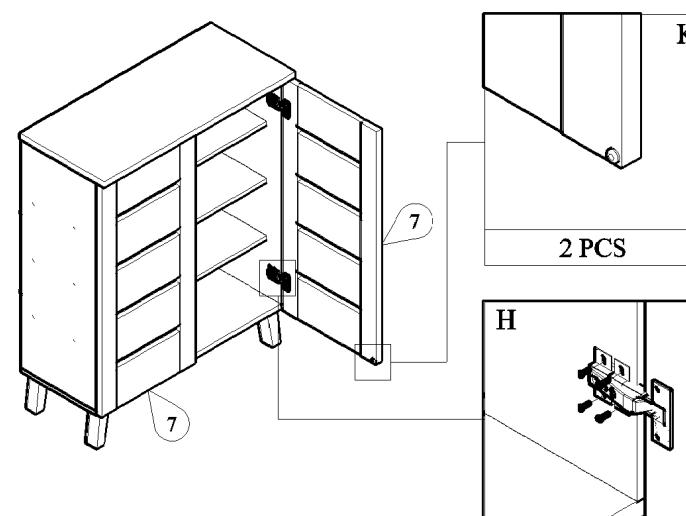
STEP 6



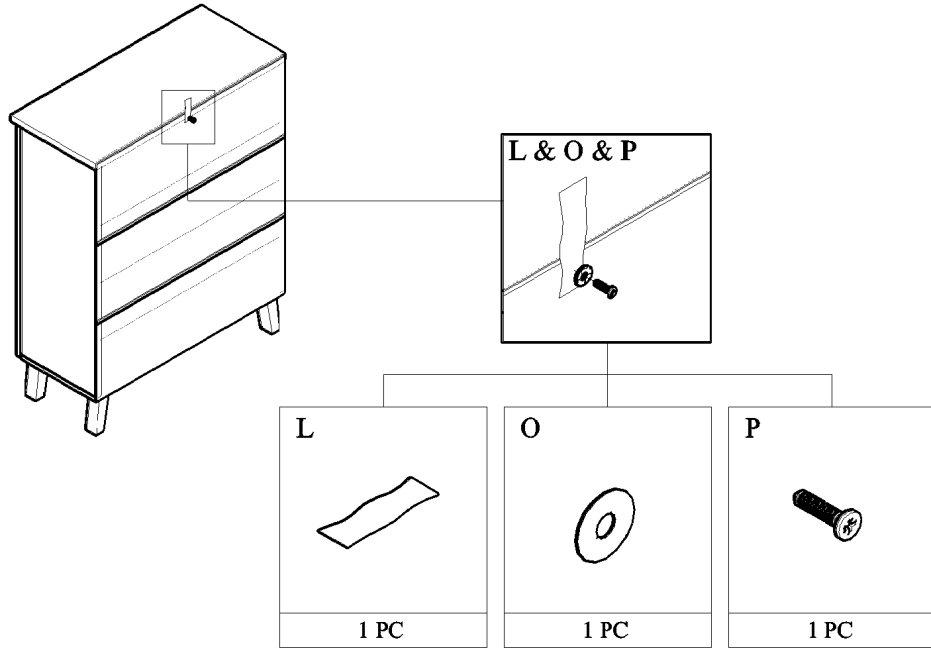
STEP 7



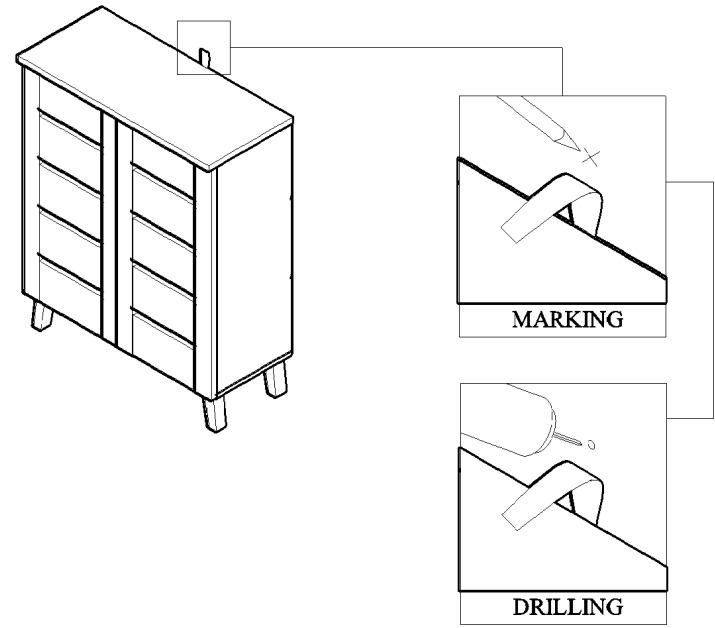
STEP 8



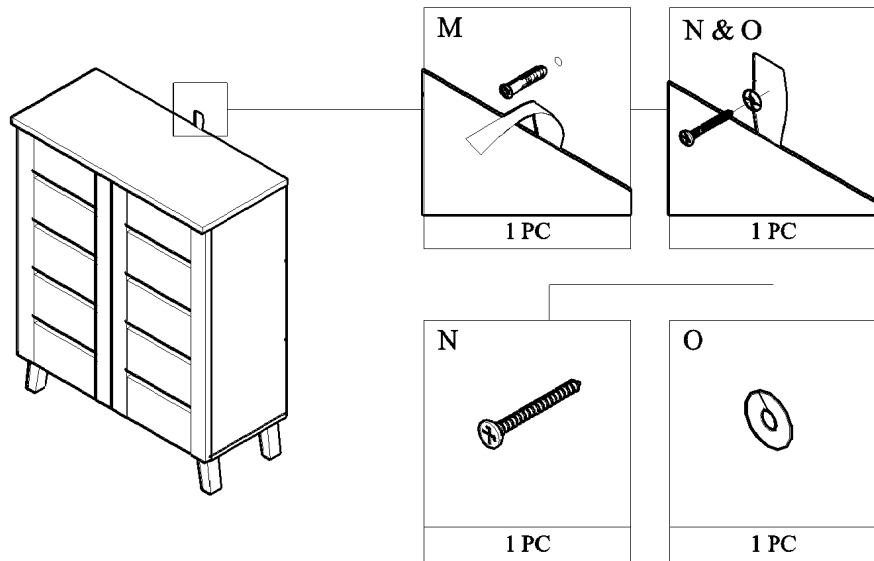
STEP 9



STEP 10



STEP 11



COMPLETED

