

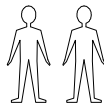
# ASSEMBLY INSTRUCTIONS

## IMPORTANT NOTE :

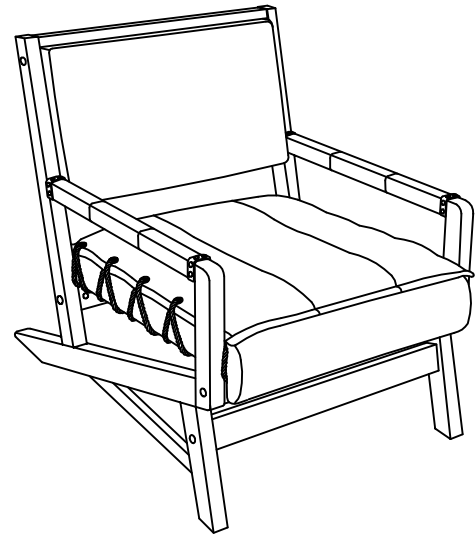
- \* PLACE ALL WOODEN PARTS ON A CLEAN AND SMOOTH SURFACE SUCH AS A RUG OR CARPET TO AVOID THE PARTS FROM BEING SCRATCHED.
- \* BEFORE YOU BEGIN, KINDLY FOLLOW THE ASSEMBLY INSTRUCTIONS STEP BY STEP.

HARDWARE LIST		
A	JCBC M6 x 50mm + S/W M6 + F/W M6 x 13mm	8PCS
B	ALLEN KEY M4	1PC
C	BARREL NUT M6 x 13mm	8PCS
D	WOOD BUTTON Ø 14.5	8PCS
E	WOOD DOWEL M10 x 40mm	18PCS
F	L - BRACKET	4PCS
G	CSK SCREW M3.5 x 16mm	8PCS

PART LIST		
1	LEG FRAME (R)	1PC
2	LEG FRAME (L)	1PC
3	FRONT RAIL (DOWN)	1PC
4	FRONT RAIL (UP)	1PC
5	BACK RAIL	1PC
6	BACK FRAME	1PC
7	SEAT FRAME	1PC

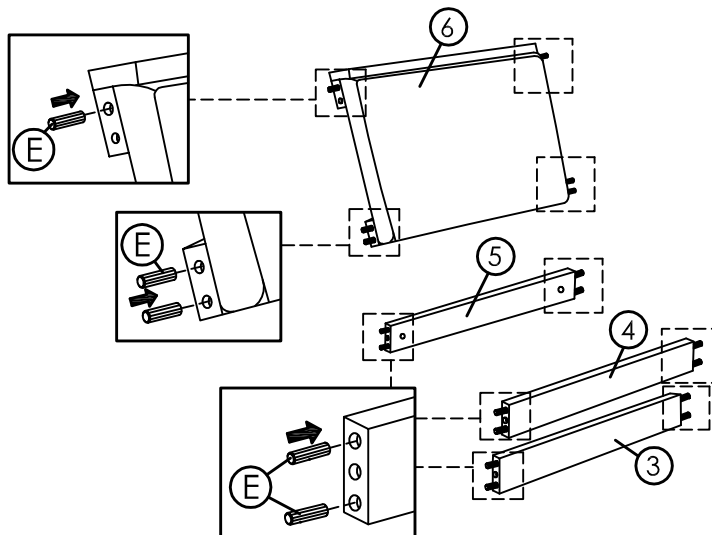


Sofa to be assembled by **2 persons**

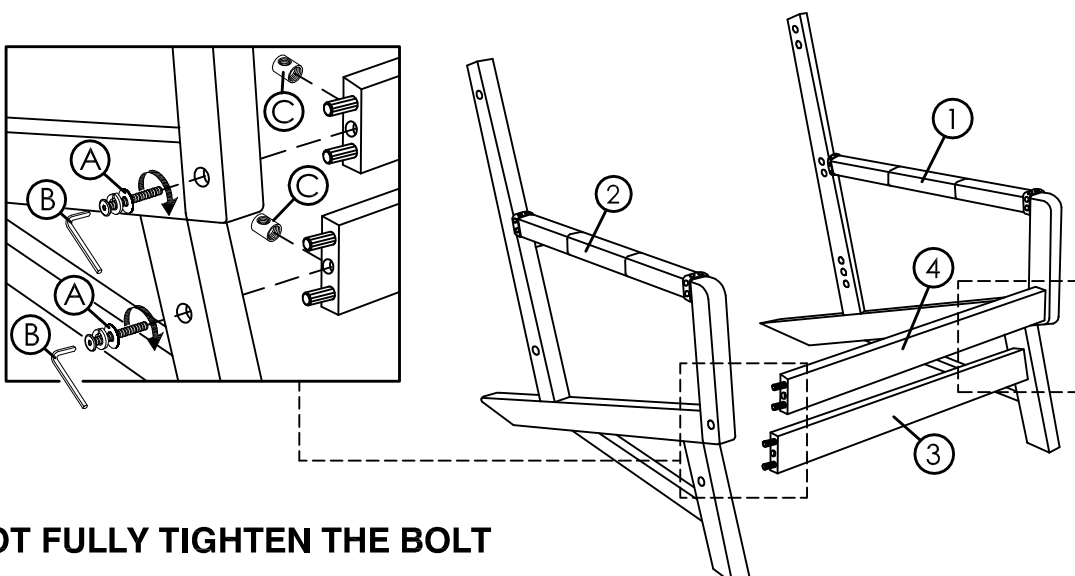


COMPLETED SOFA ASSEMBLY.

## STEP 1



## STEP 2 (NEED 2 PERSONS)

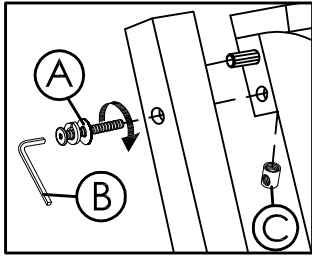


**DO NOT FULLY TIGHTEN THE BOLT**

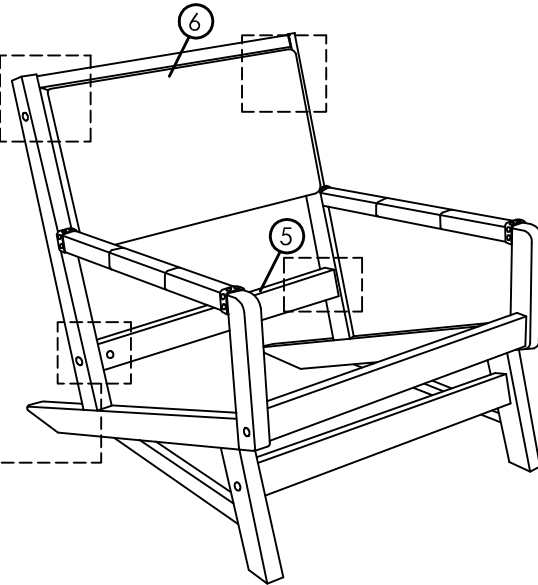
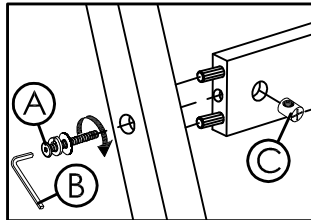
# ASSEMBLY INSTRUCTIONS

## STEP 3 (NEED 2 PERSONS)

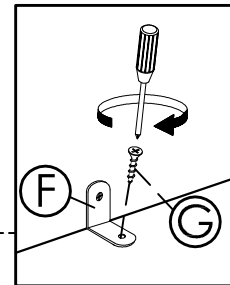
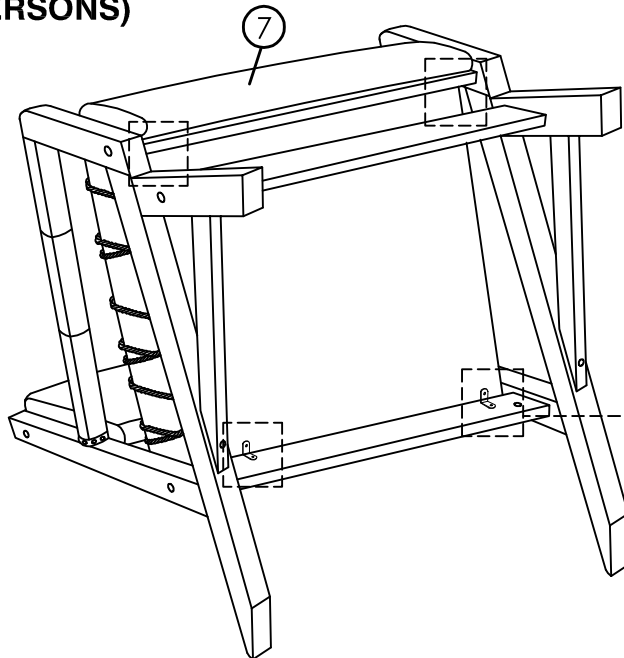
### Step 3.a



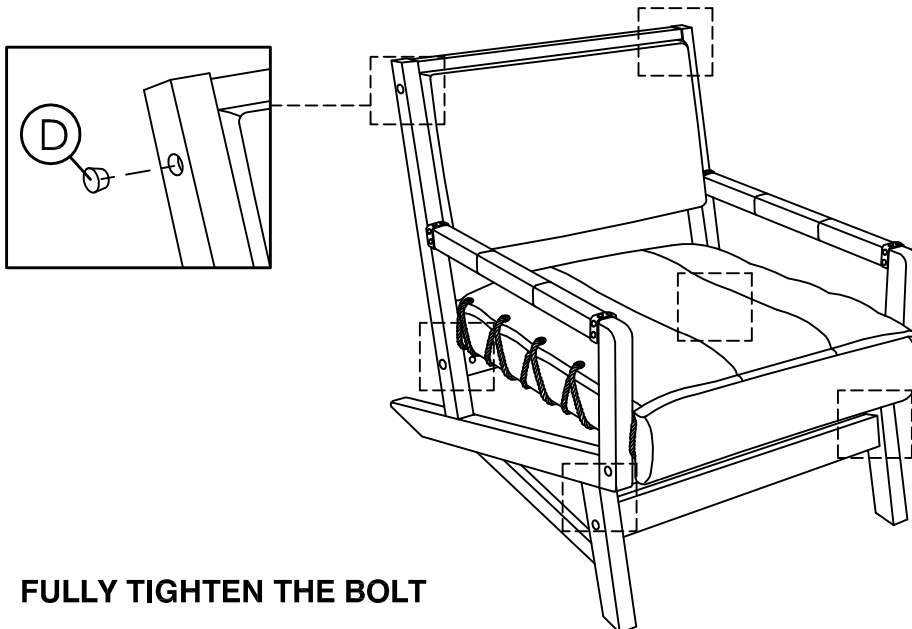
### Step 3.b



## STEP 4 (NEED 2 PERSONS)



## STEP 5

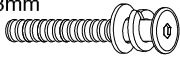
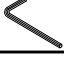


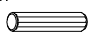

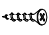


**FULLY TIGHTEN THE BOLT**

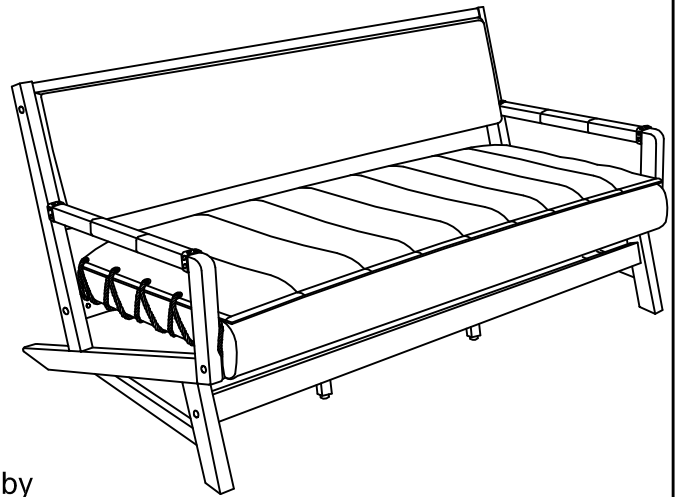
# ASSEMBLY INSTRUCTIONS

## IMPORTANT NOTE :

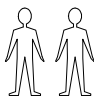
- \* PLACE ALL WOODEN PARTS ON A CLEAN AND SMOOTH SURFACE SUCH AS A RUG OR CARPET TO AVOID THE PARTS FROM BEING SCRATCHED.
- \* BEFORE YOU BEGIN, KINDLY FOLLOW THE ASSEMBLY INSTRUCTIONS STEP BY STEP.

HARDWARE LIST		
A	JCBC M6 x 50mm + S/W M6 + F/W M6 x 13mm 	8PCS
B	ALLEN KEY M4 	1PC
C	BARREL NUT M6 x 13mm 	8PCS
D	WOOD BUTTON Ø 14.5 	8PCS
E	WOOD DOWEL M10 x 40mm 	18PCS
F	L - BRACKET 	8PCS
G	CSK SCREW M3.5 x 16mm 	16PCS

PART LIST		
1	LEG FRAME (R)	1PC
2	LEG FRAME (L)	1PC
3	FRONT RAIL (DOWN)	1PC
4	FRONT RAIL (UP)	1PC
5	BACK RAIL	1PC
6	BACK FRAME	1PC
7	SEAT FRAME	1PC
8	CENTER LEG	2PCS

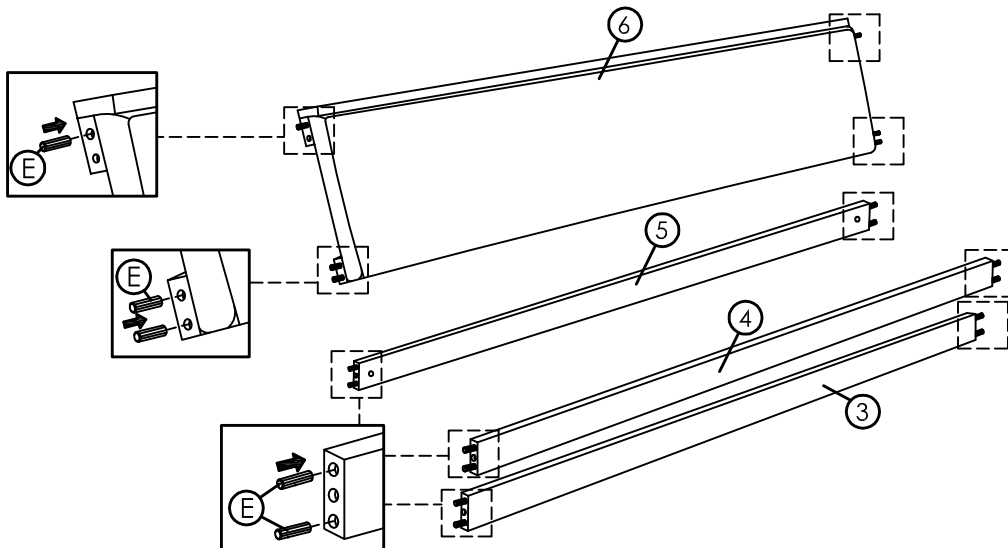


COMPLETED SOFA ASSEMBLY.

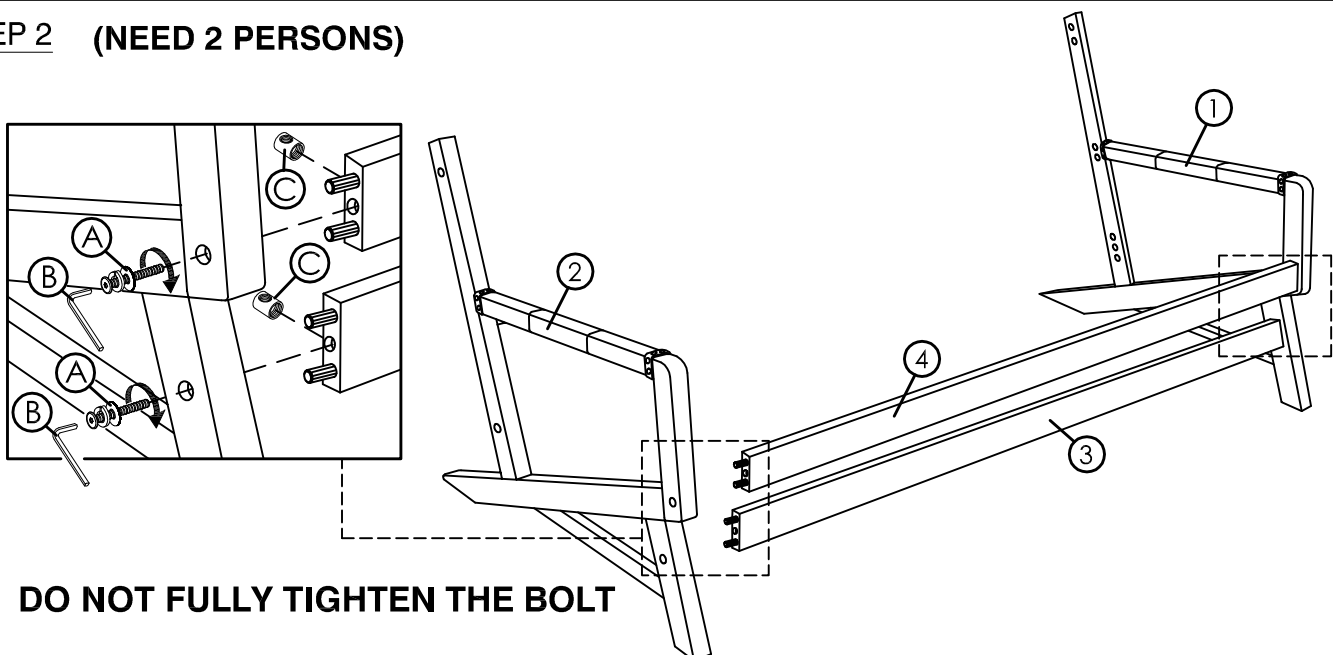


Sofa to be assembled by **2 persons**

## STEP 1



## STEP 2 (NEED 2 PERSONS)

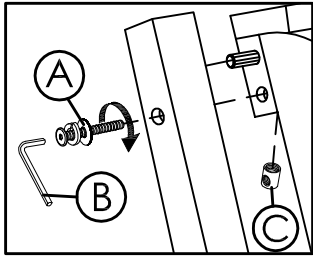


**DO NOT FULLY TIGHTEN THE BOLT**

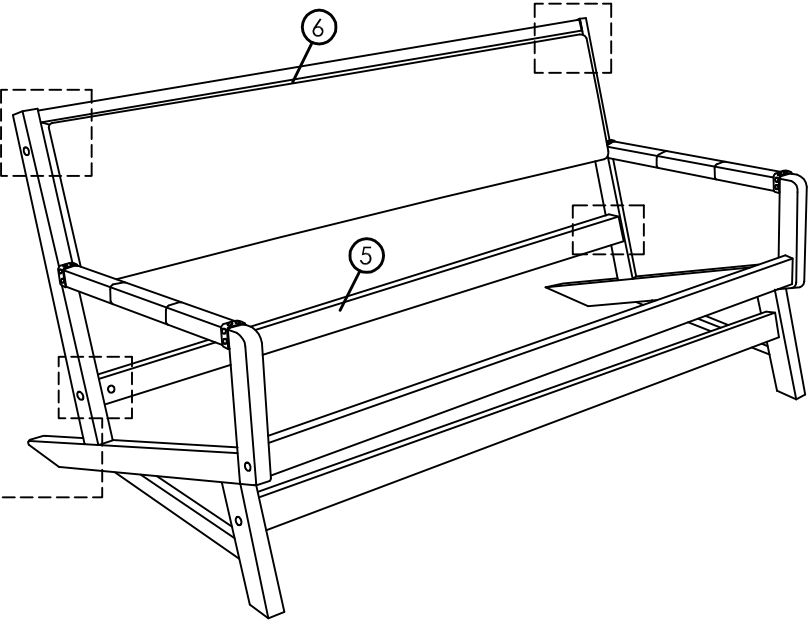
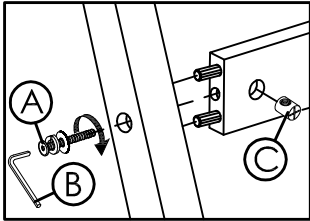
# ASSEMBLY INSTRUCTIONS

## STEP 3 (NEED 2 PERSONS)

### Step 3.a

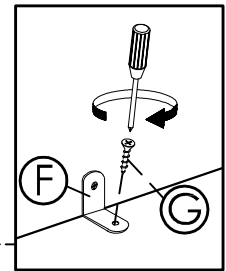


### Step 3.b

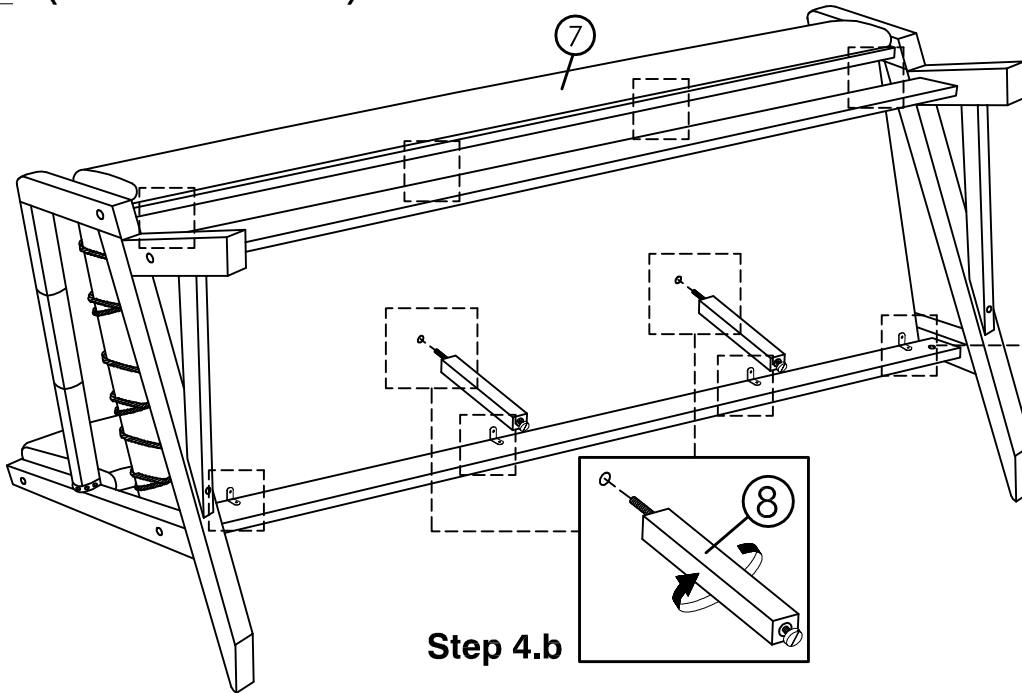
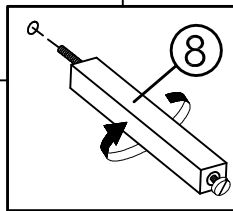


## STEP 4 (NEED 2 PERSONS)

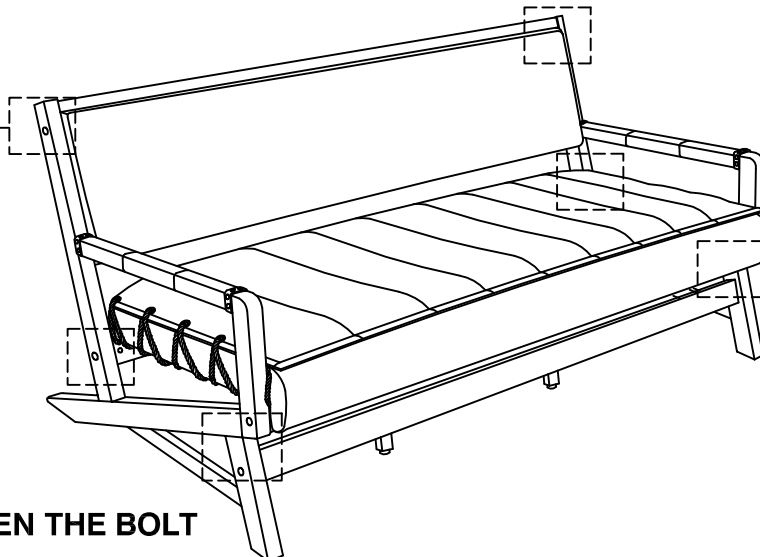
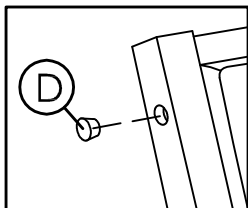
### Step 4.a



### Step 4.b



## STEP 5



**FULLY TIGHTEN THE BOLT**