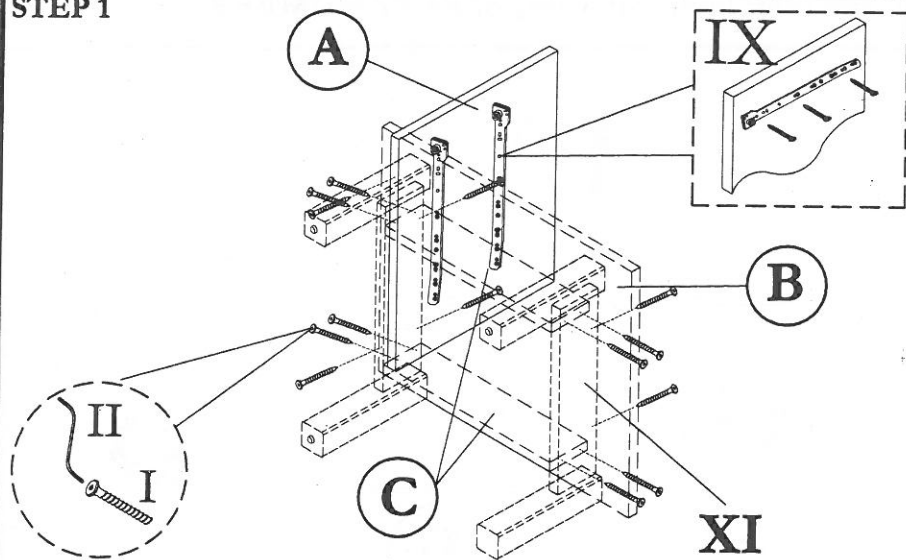


ASSEMBLY INSTRUCTION

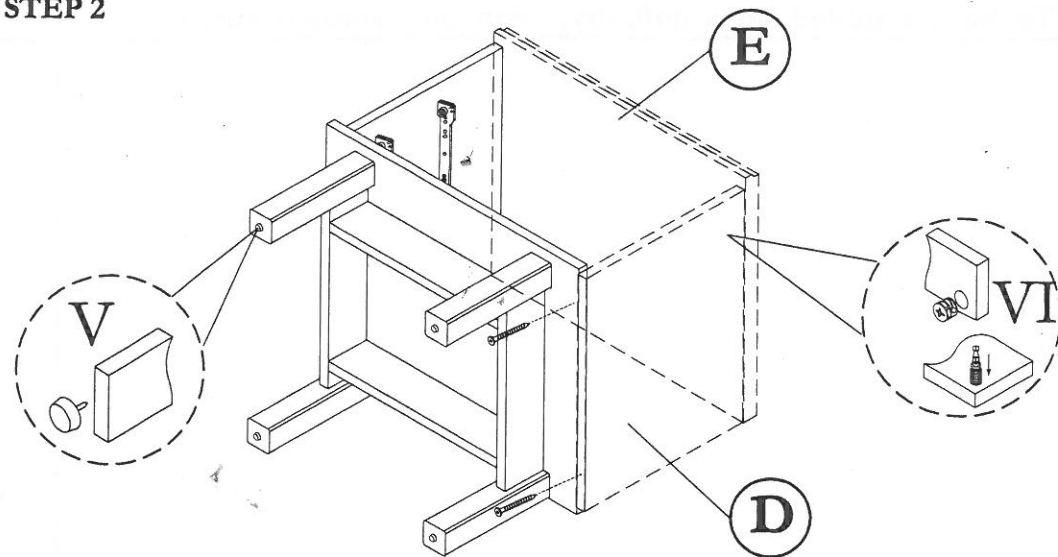
MODEL : 5073/ SIDE TABLE

Before you begin, please follow assembly instruction carefully.
Then follow them step by step.

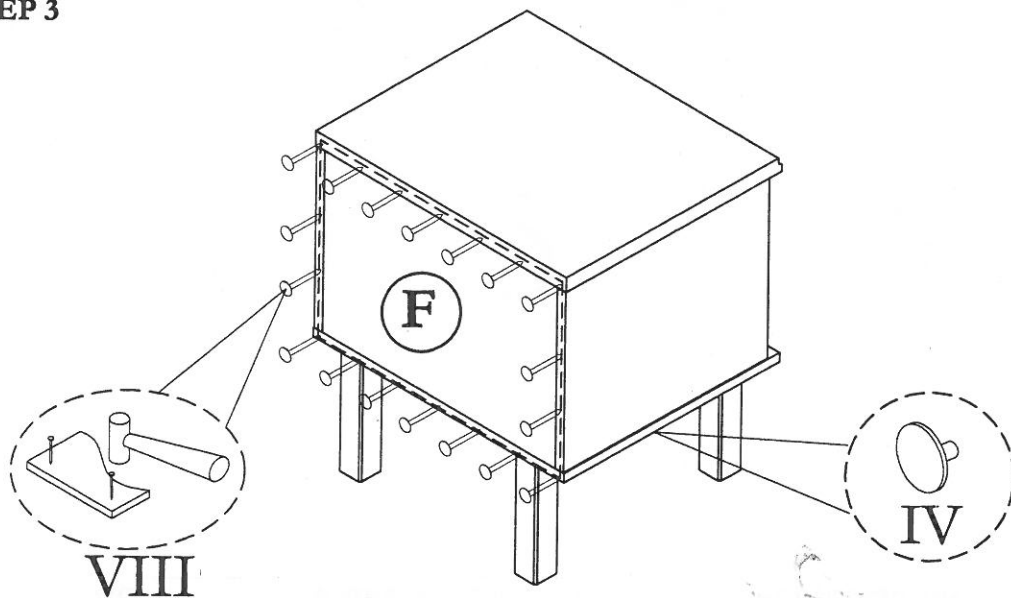
STEP 1



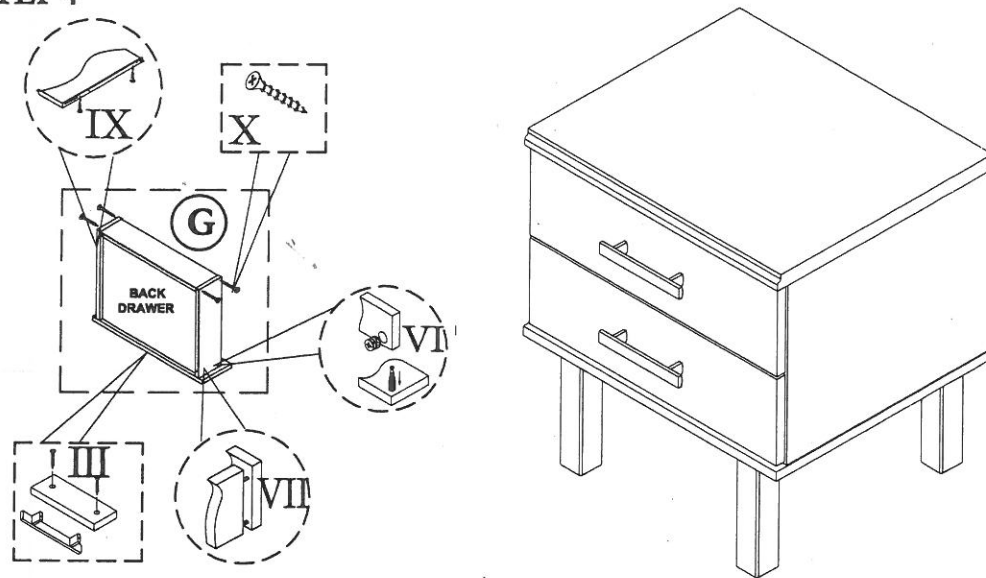
STEP 2



STEP 3



STEP 4



HARDWARE LIST

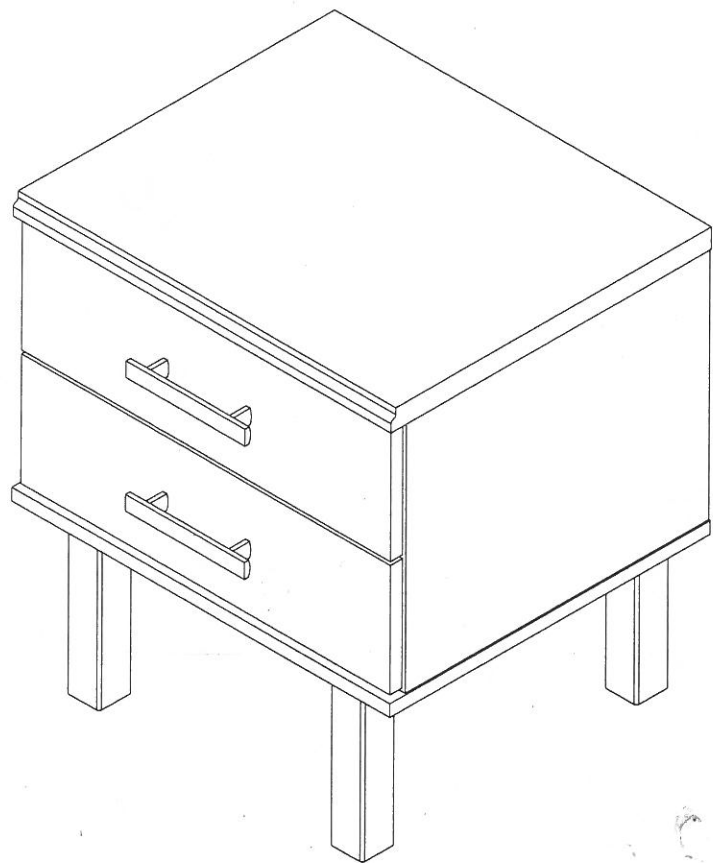
NO	DESCRIPTION	QTY
I	JCBCW SCREW M6 x 45	16pcs
II	M4 ALLEN KEY	1pc
III	HANDLE & SCREW M3.5 x 30	2sets

IV	CAP SMALL	8pcs
V	PVC NAIL WITH PIN	4pcs
VI	Q-FIT	8sets
VII	PLASTIC DOWEL	4pcs
VIII	NAIL	20pcs

IX	12" DRAWER SLIDER & SCREW M3.5 x 12	2sets
X	M8 x 32 CHIPBOARD SCREW	8pcs
XI	WOOD LEG SIZE : 14 7/8 "	2pcs

CAUTION:

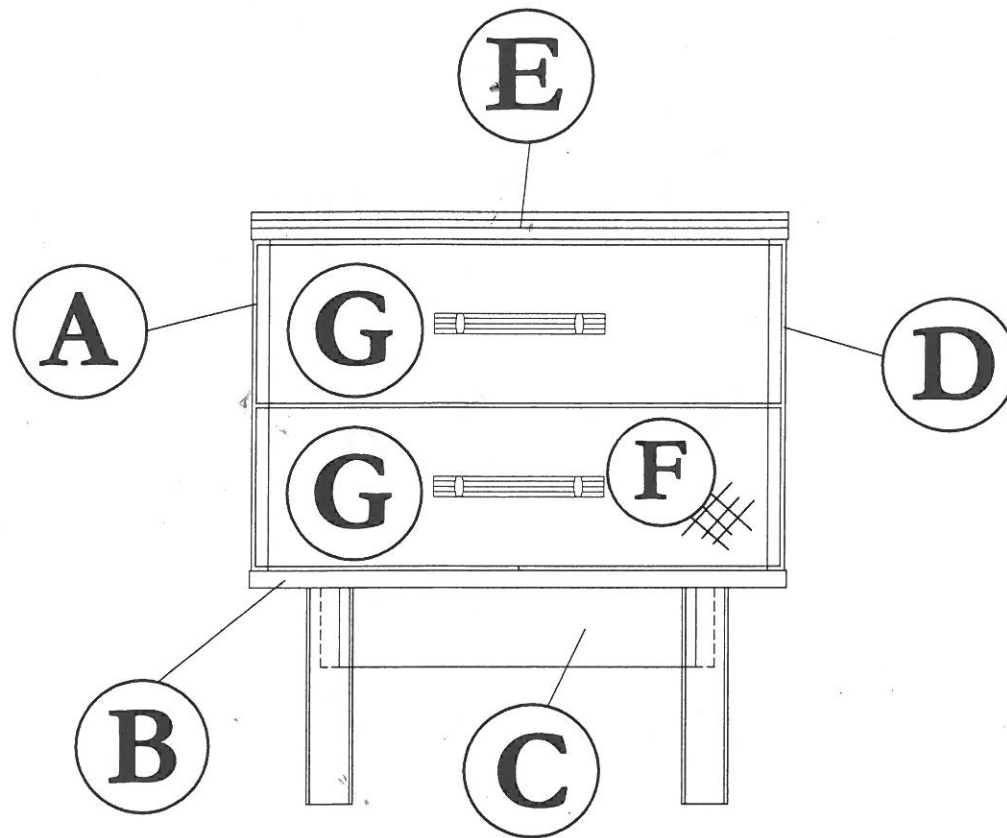
To clean use soft, dry cloth. Do not use detergent or chemicals
Avoid contact with water and direct sunlight.
To be assembled on a soft, dry, clean and smooth surface.



COMPLETE SET

ORDERING REPAIR PARTS

In order to obtain smooth and rapid service when ordering repair parts,
please give full attention to the following of PART NUMBER.



NO	DESCRIPTION	QTY
A	LEFT SIDE	01
B	LOWER SHELF	01
C	LEG	02
D	RIGHT SIDE	01

NO	DESCRIPTION	QTY
E	TOP	01
F	BACK	01
G	DRAWER FACE	02