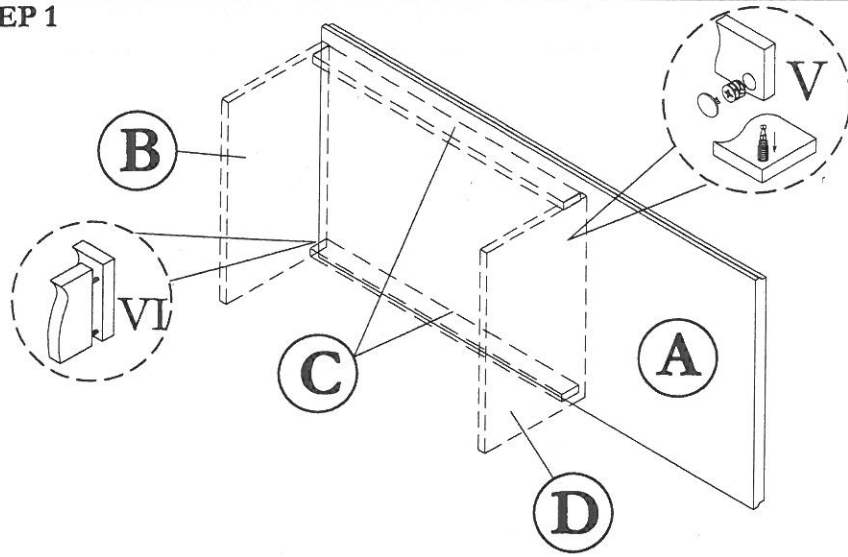


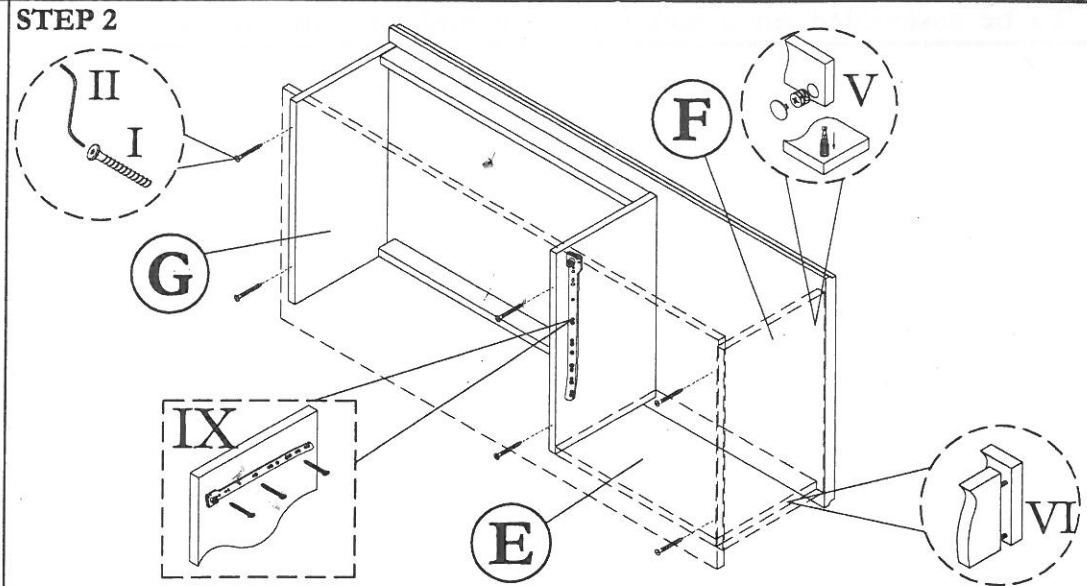
ASSEMBLY INSTRUCTION
MODEL : 2156 / COFFEE TABLE

Before you begin, please follow assembly instruction carefully.
 Then follow them step by step.

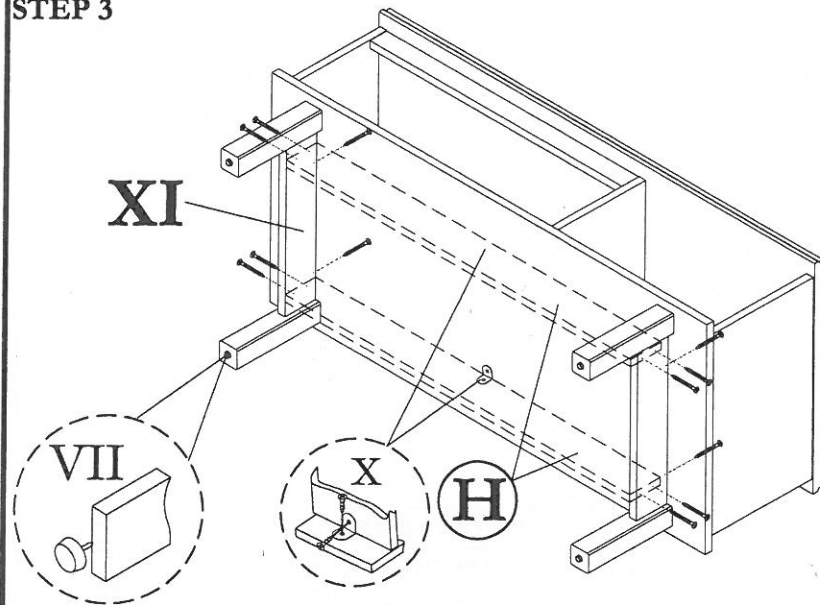
STEP 1



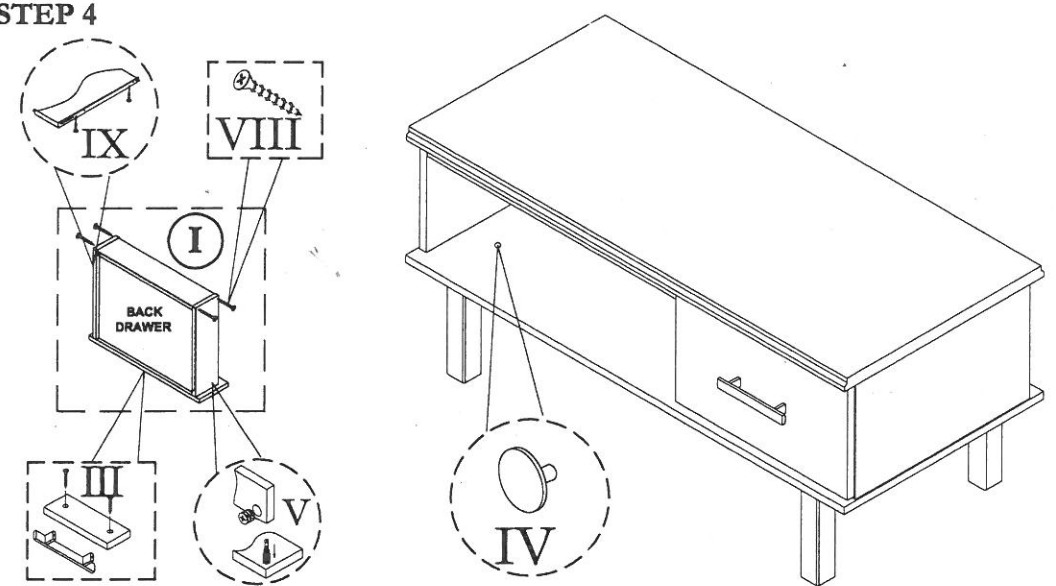
STEP 2



STEP 3



STEP 4



HARDWARE LIST			
NO	DESCRIPTION		QTY
I	JCBCW SCREW M6 x 45		18pcs
II	M4 ALLEN KEY		1pc
III	HANDLE & SCREW M3.5 x 30		1sets

IV	CAP SMALL		10pcs
V	Q-FIT		10sets
VI	M8 x 30 PLASTIC DOWEL		8pcs
VII	PVC NAIL WITH PIN		4pcs
VIII	M8 X 32 CHIPBOARD SCREW		4pcs

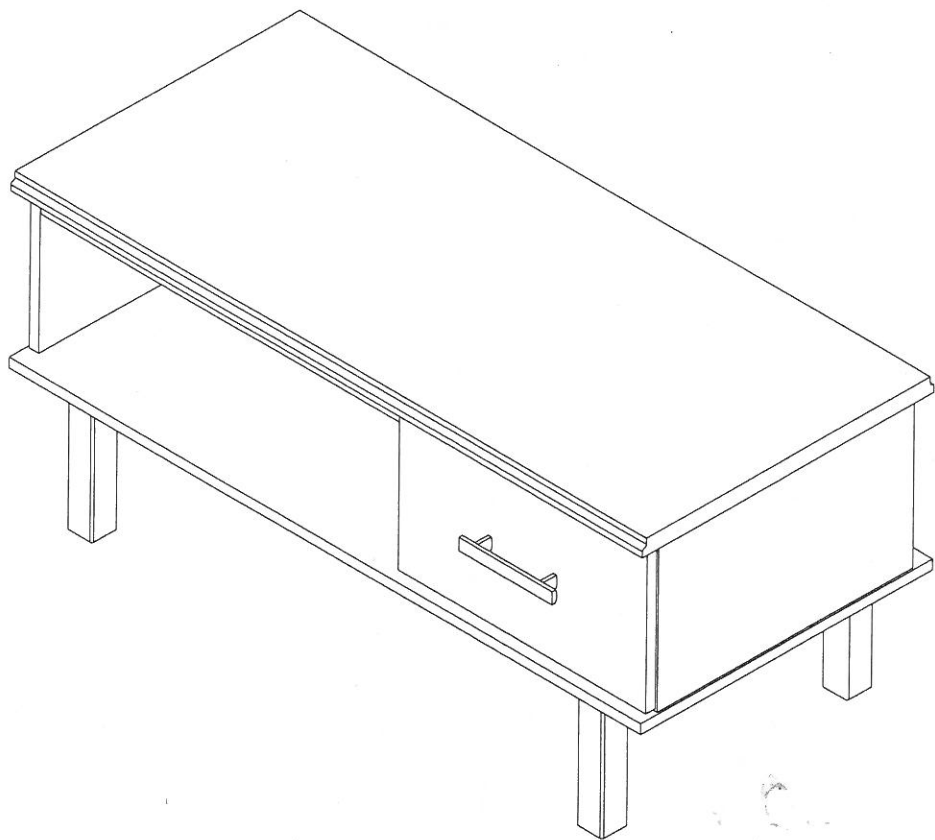
IX	12" DRAWER SLIDER & SCREW M3.5 x 12		1sets
X	L BRACKET & SCREW M3.5 x 12		2sets
XI	WOOD LEG SIZE : 16 5/8 "		2pcs

CAUTION:

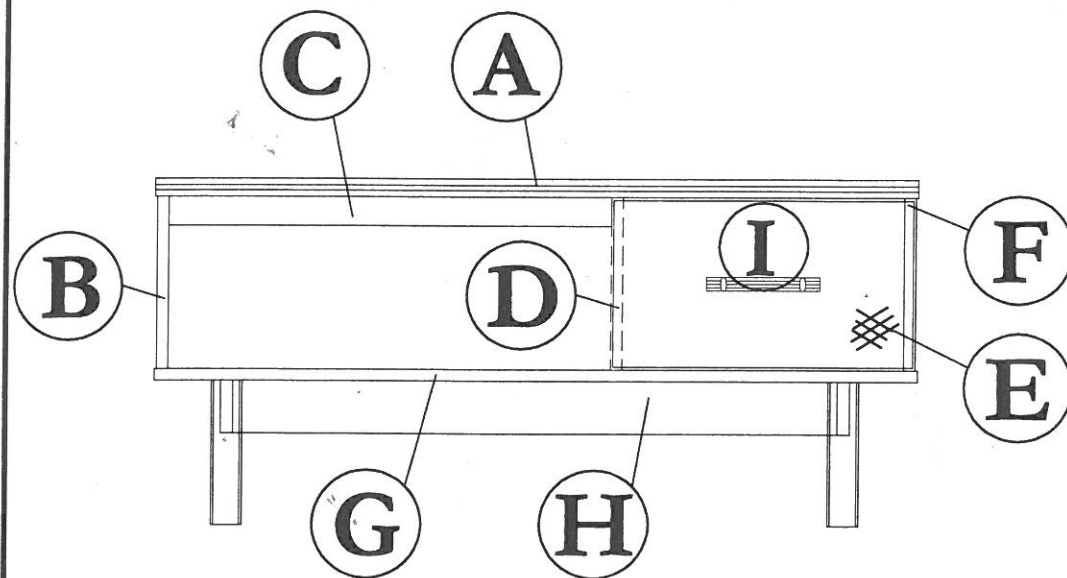
To clean use soft, dry cloth. Do not use detergent or chemicals
Avoid contact with water and direct sunlight.
To be assembled on a soft, dry, clean and smooth surface.

ORDERING REPAIR PARTS

In order to obtain smooth and rapid service when ordering repair parts,
please give full attention to the following of PART NUMBER.



COMPLETE SET



NO	DESCRIPTION	QTY
A	TOP	01
B	LEFT SIDE	01
C	TOP SUPPORT	02
D	CENTRE VERTICAL	01
E	BACK SUPPORT	01

NO	DESCRIPTION	QTY
F	RIGHT SIDE	01
G	LOWER SHELF	01
H	LEG	02
I	DRAWER FACE	01