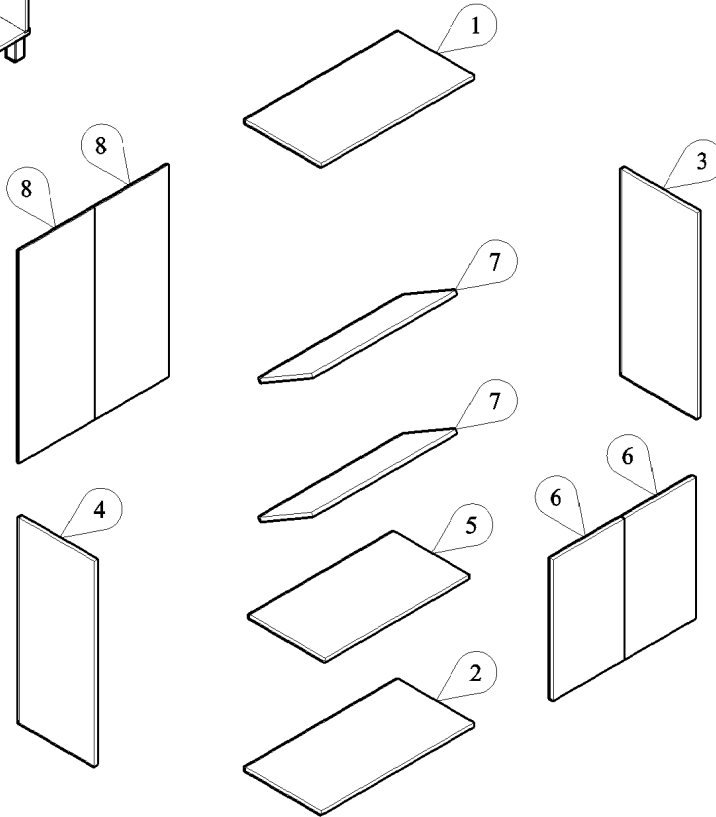
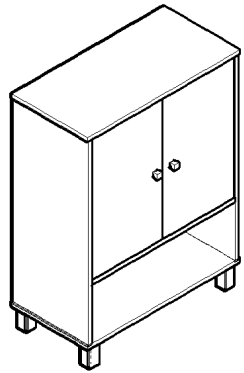
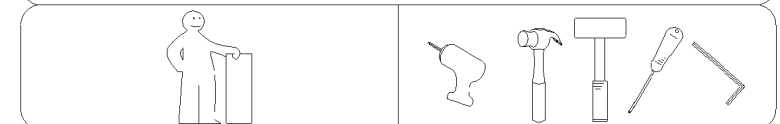
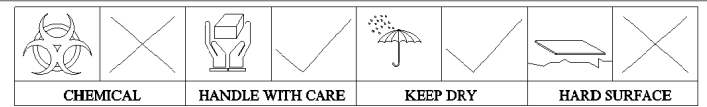


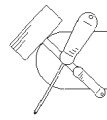
# MODEL : AT SC 1613WI- CLB

PANEL POSITION



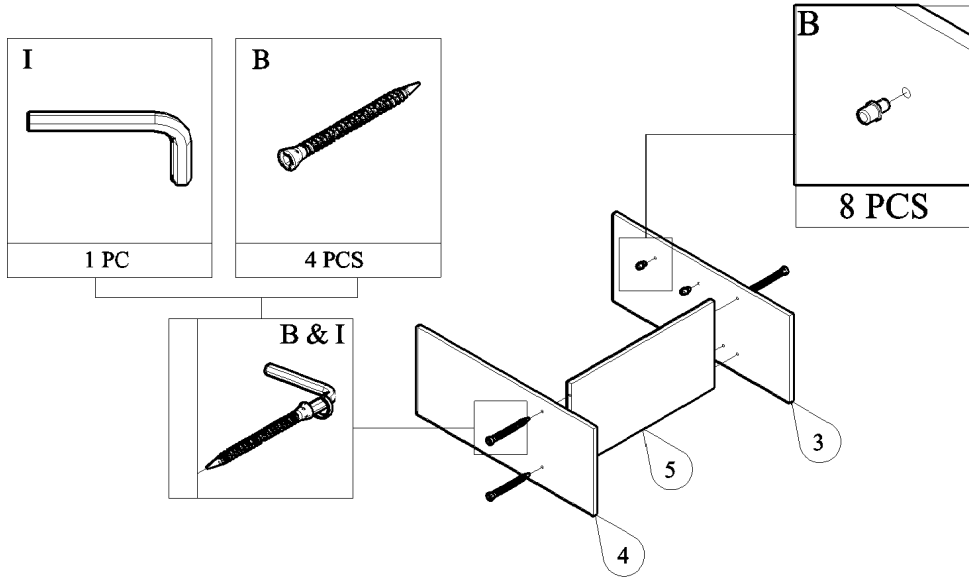
	ACCESSORIES	QUANTITY
A	CPWOOD SCREW M6 x 50MM	12 PCS
B	IRON SHELF SUPPORT	8 PCS
C	POWER PIN	22 PCS
D	BROWN MAGNET STEEL PLATE SCREW M3 x 12MM	1 PC 2 PCS 2 PCS
E	DOOR HOLDER (BLACK) SCREW M3 x 12MM	4 PCS 8 PCS
F	PVC SQUARE KNOB (BLACK) SCREW M4 x 25MM	2 PCS 2 PCS
G	PVC LEG (BLACK) SCREW M3.5 x 16MM	4 PCS 16 PCS
H	PVC "H" RAIL	1 PC
I	ALLEN KEY	1 PC
J	NYLON CABLE	1 PC
K	WALL PLUG	1 PC
L	SCREW M4x28MM	1 PC
M	WOSE	2 PCS
N	SCREW M3.5x16MM	1 PC



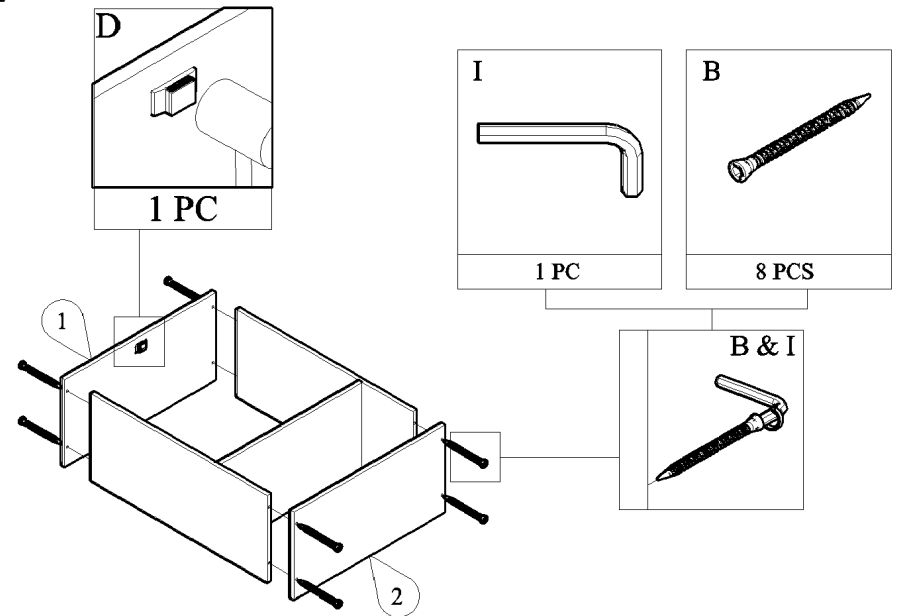


# START ASSEMBLY

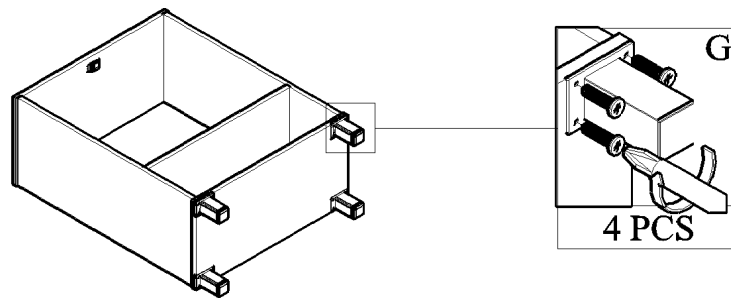
## STEP 1



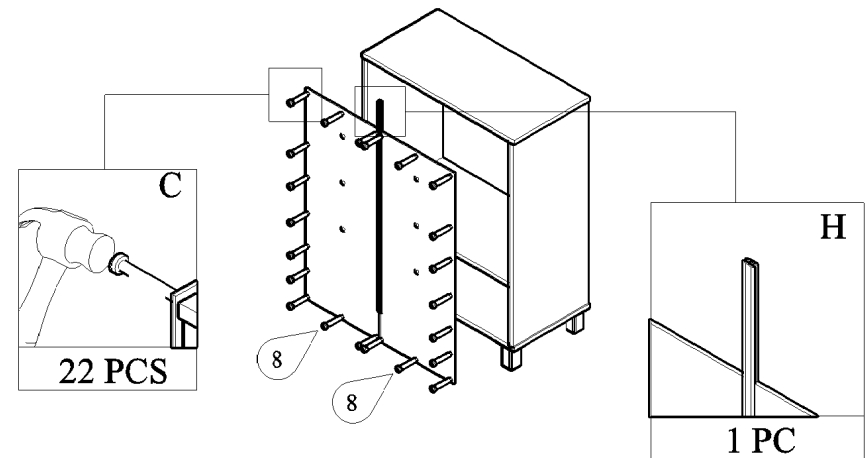
## STEP 2



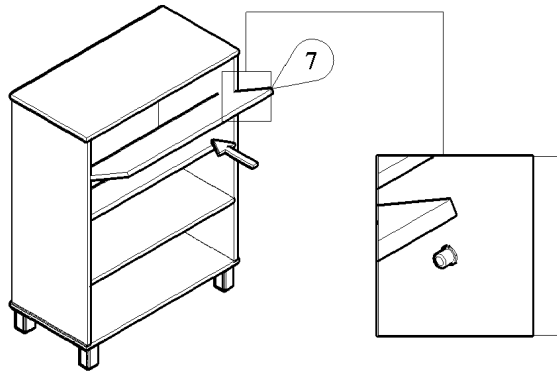
## STEP 3



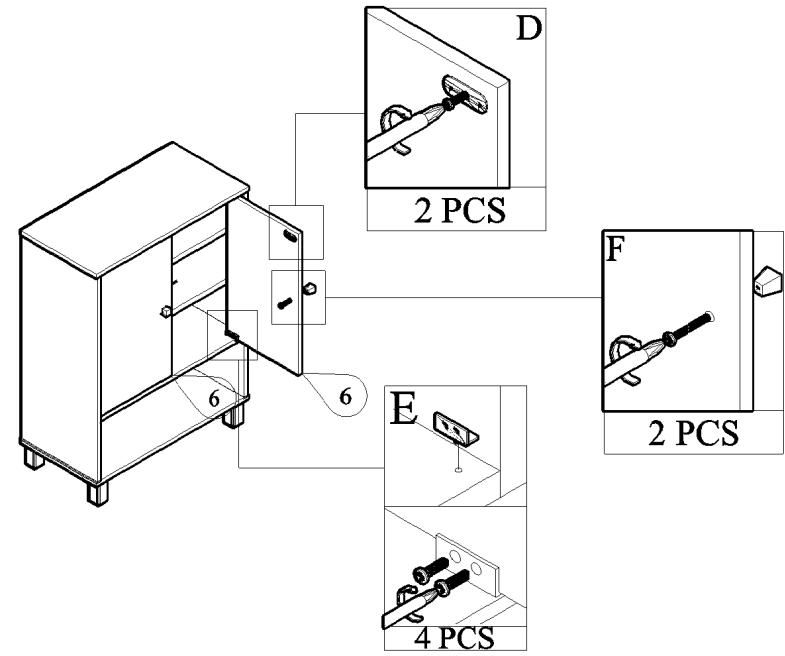
## STEP 4



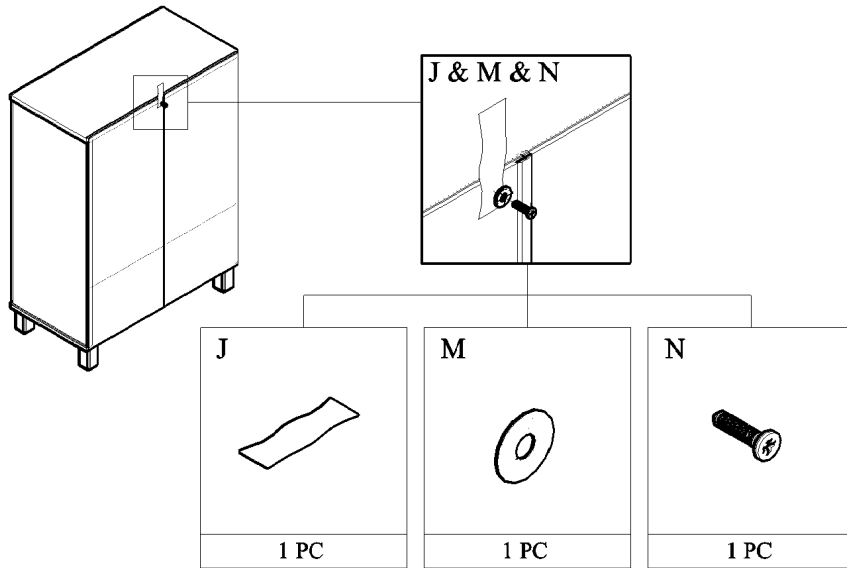
STEP 5



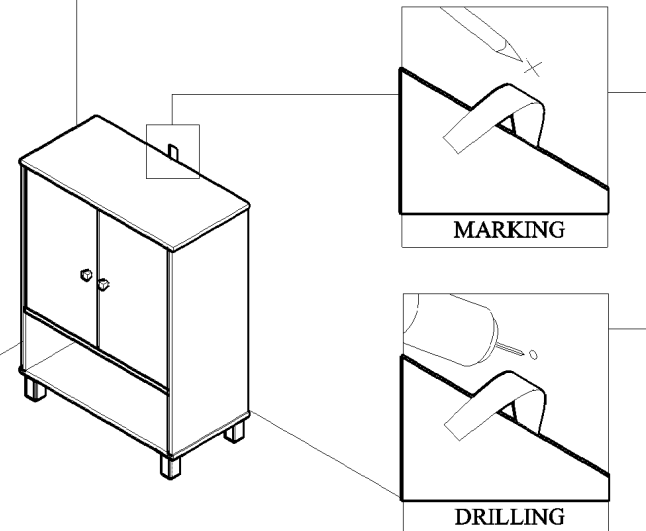
STEP 6



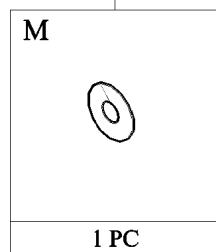
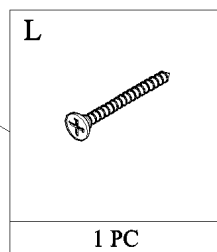
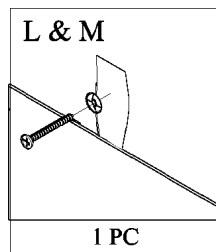
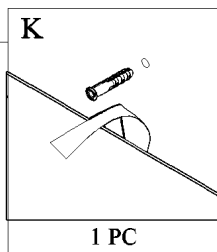
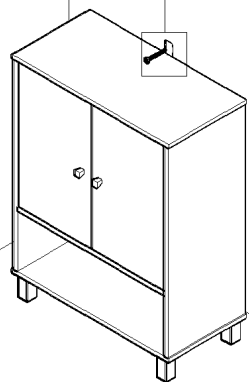
STEP 7



STEP 8



STEP 9



COMPLETED

