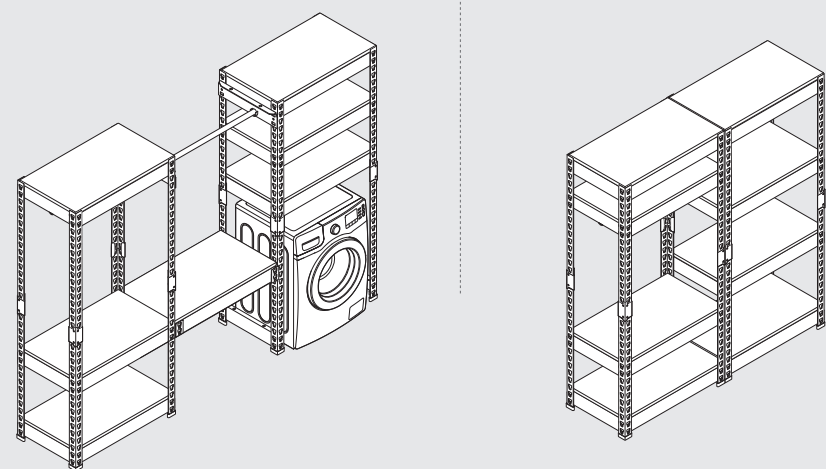
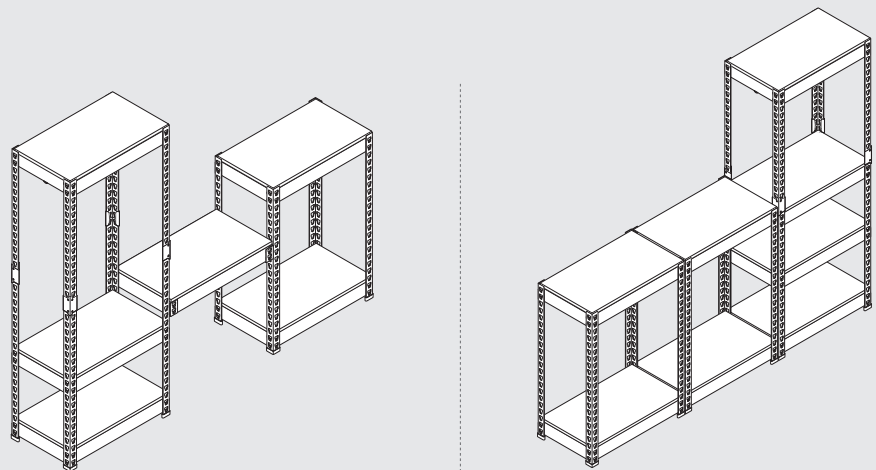


### Various utilization

Please check below samples for various utilization.

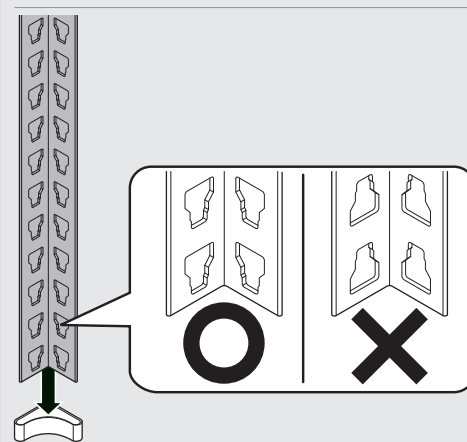


## BASIC INSTRUCTION

### Step 1I

PLEASE INSERTING SAFETY CAP TO THE PILLAR FOR PROTECTING GROUND

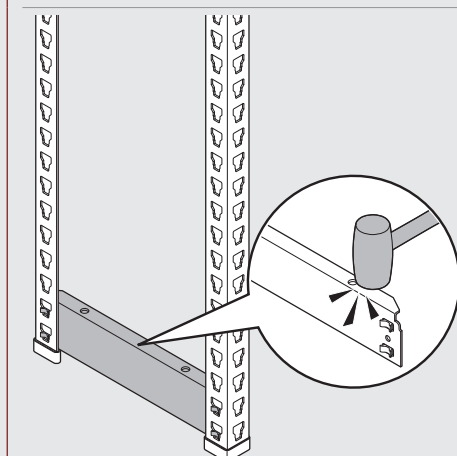
\* MAKE SURE SMALL SQUARE MUST BE DOWNSIDE OF THE PILLAR



### Step 2I

PUT SHORT SUPPORT RIM BETWEEN TOW PILLARS BY USING RUBBER HAMMER

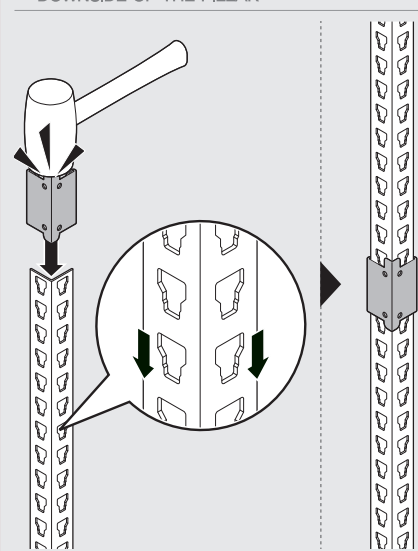
\* THE SURFACE OF SUPPORT RIM WILL HOLD THE BOARD



### Step 3I

CONNECT THE UPPER PILLAR WITH THE LOWER PILLAR BY USING BRACKET

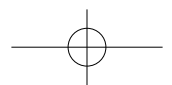
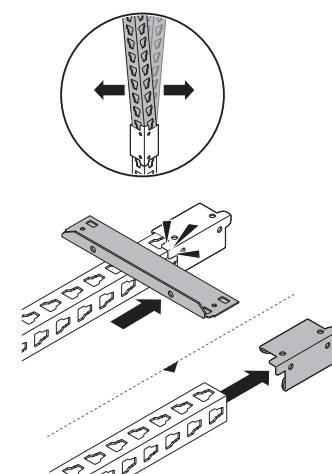
\* MAKE SURE SMALL SQUARE MUST BE DOWNSIDE OF THE PILLAR



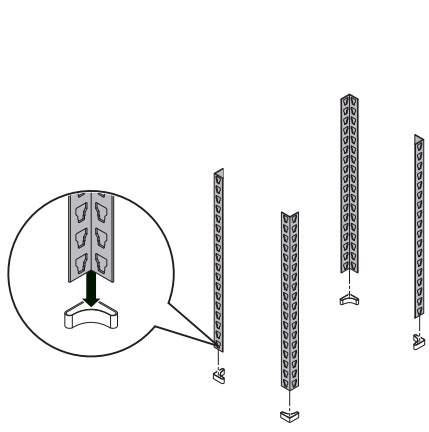
### Tip

#### HOW TO DISJOINT BRACKET

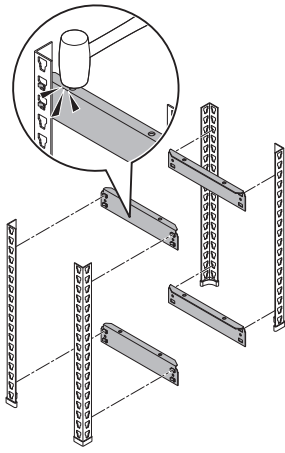
PULL OUT THE UPPER PILLAR FROM THE BRACKET. IF THE BRACKET STILL STICKED ON THE PILLAR, PLEASE USE SUPPORT RIM AS A MALLET.



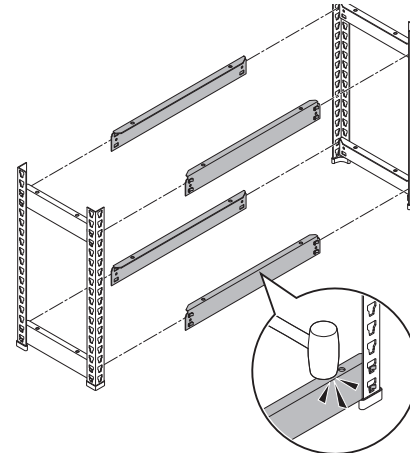
# ASSEMBLING GUIDE



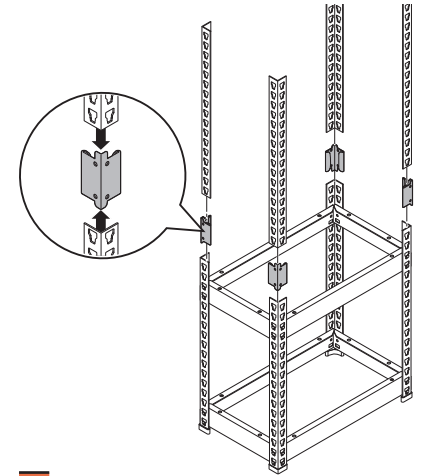
**1** INSERTING SAFETY CAP INTO THE PILLAR



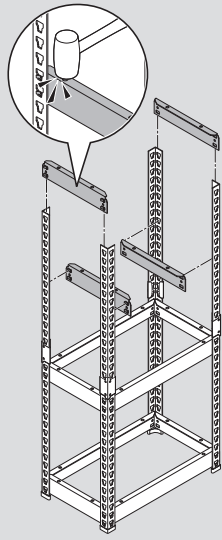
**2** ASSEMBLING SHORT SUPPORT RIM AT FIRST AND SECOND TIER



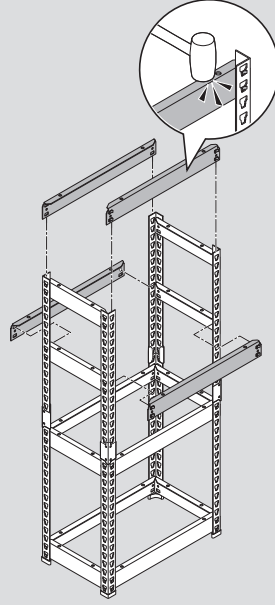
**3** ASSEMBLING LONG SHORT SUPPORT RIM AT FIRST AND SECOND TIER



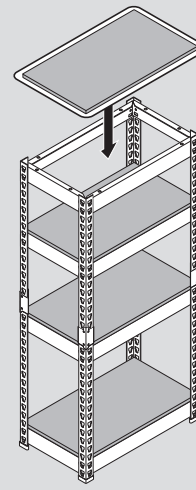
**4** CONNECT THE UPPER PILLAR WITH THE LOWER PILLAR BY USING BRACKET



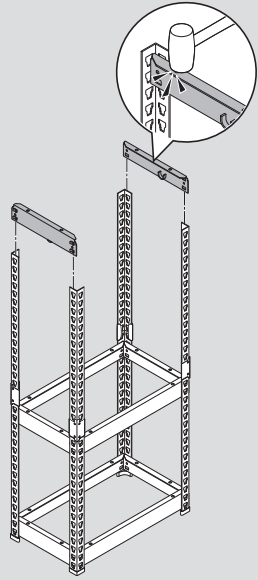
**5** ASSEMBLING SHORT SUPPORT RIM AT THIRD AND FOURTH TIER



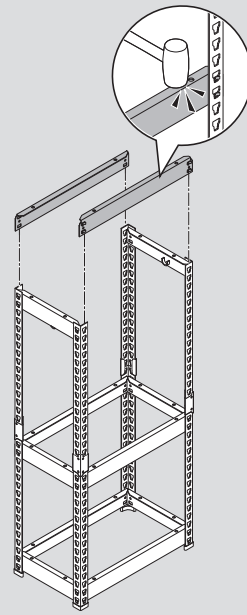
**6** ASSEMBLING LONG SUPPORT RIM AT THIRD AND FOURTH TIER



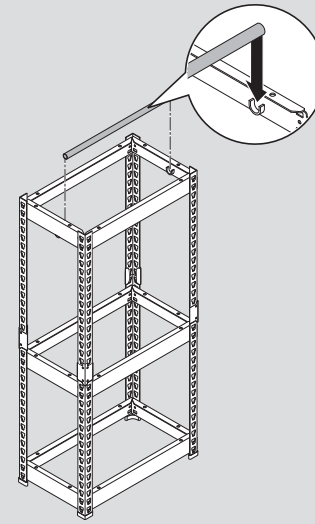
**7** PUT WOODEN BOARD AT THE FRAME



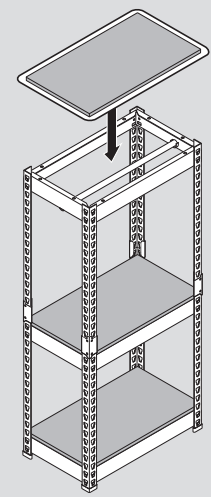
**5** ASSEMBLING HANGER SUPPORT RIM AT THIRD TIER



**6** ASSEMBLING LONG SUPPORT RIM AT THIRD TIER



**7** PUT HANGER PIPE JUST INTO THE HOLE OF HANGER SUPPORT RIM



**8** PUT WOODEN BOARD AT THE FRAME