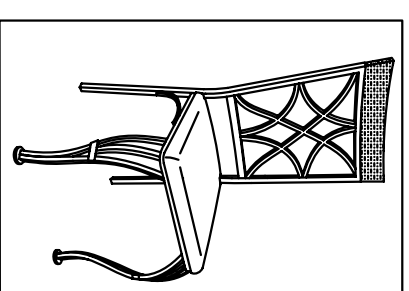
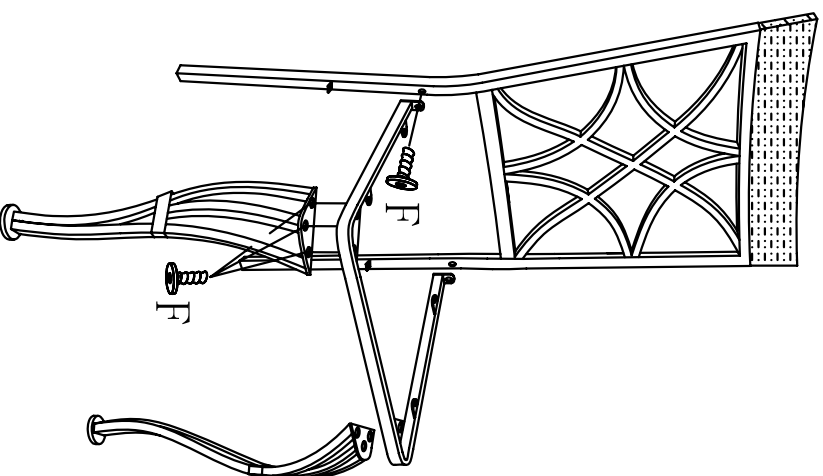


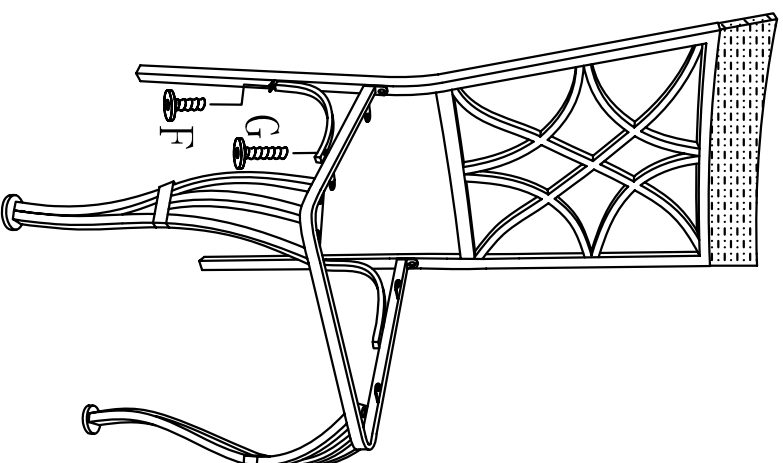
# Assembly Instructions



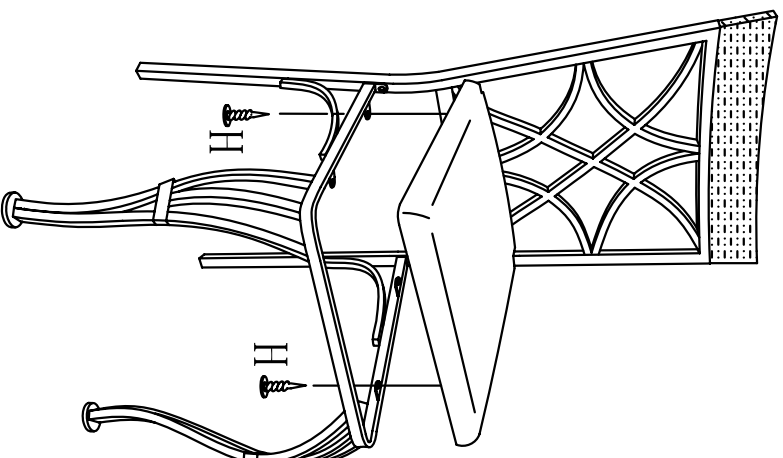
STEP 1












STEP 2



STEP 3



A		1 PC
B		2PCS
C		1 PC
D		2PCS
E		1 PC
F		10PCS
G		2PCS
H		4PCS
I		1 PC