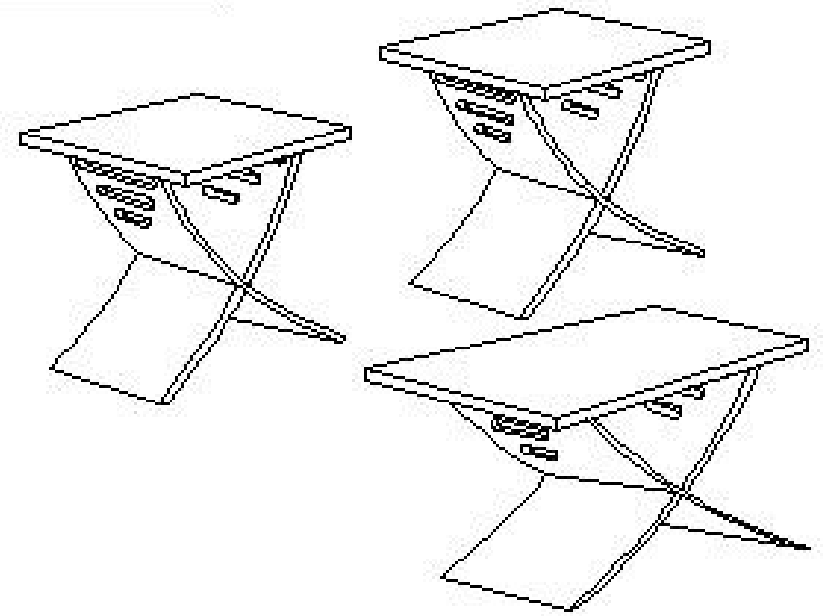
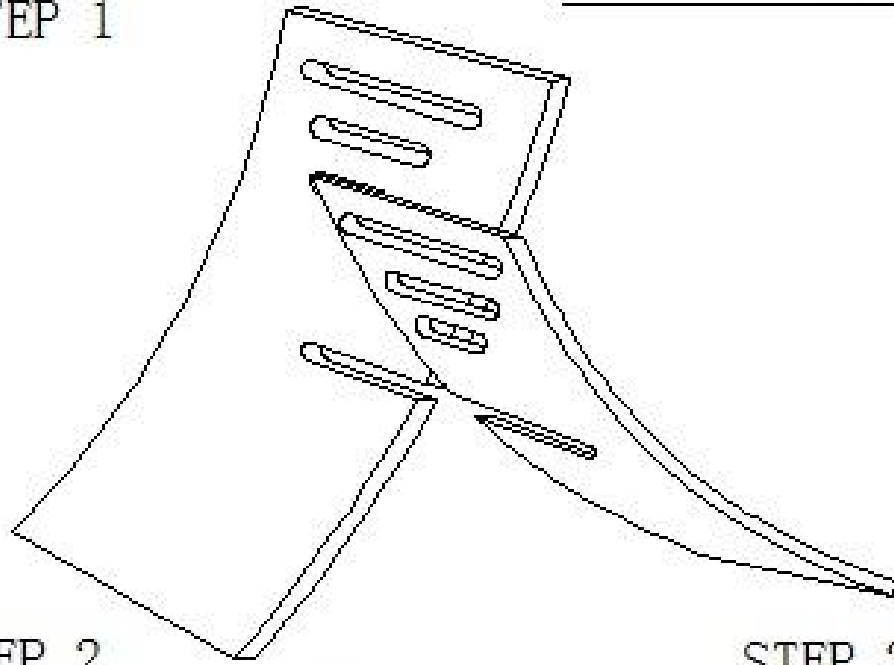
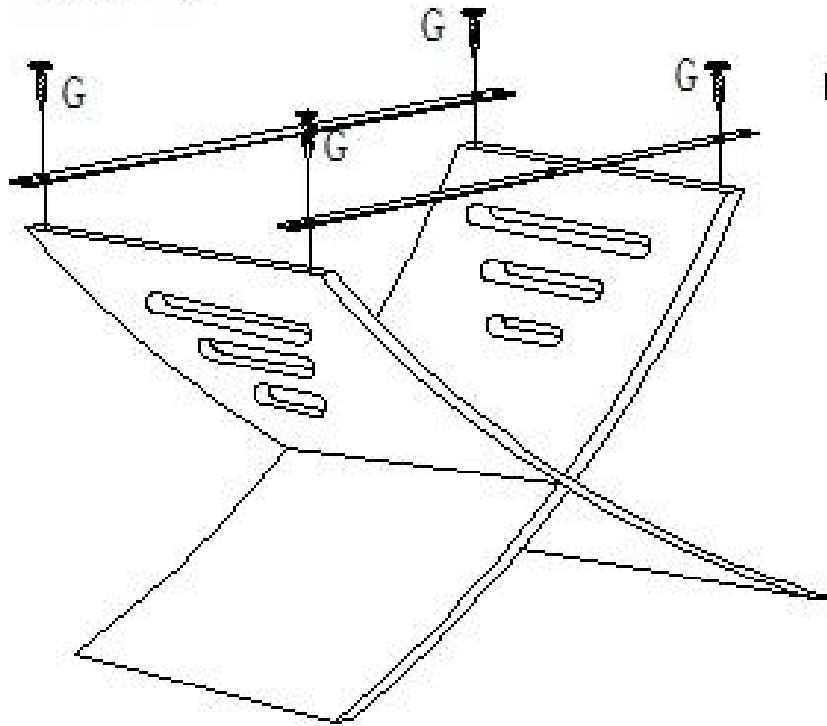


Assembly Instructions

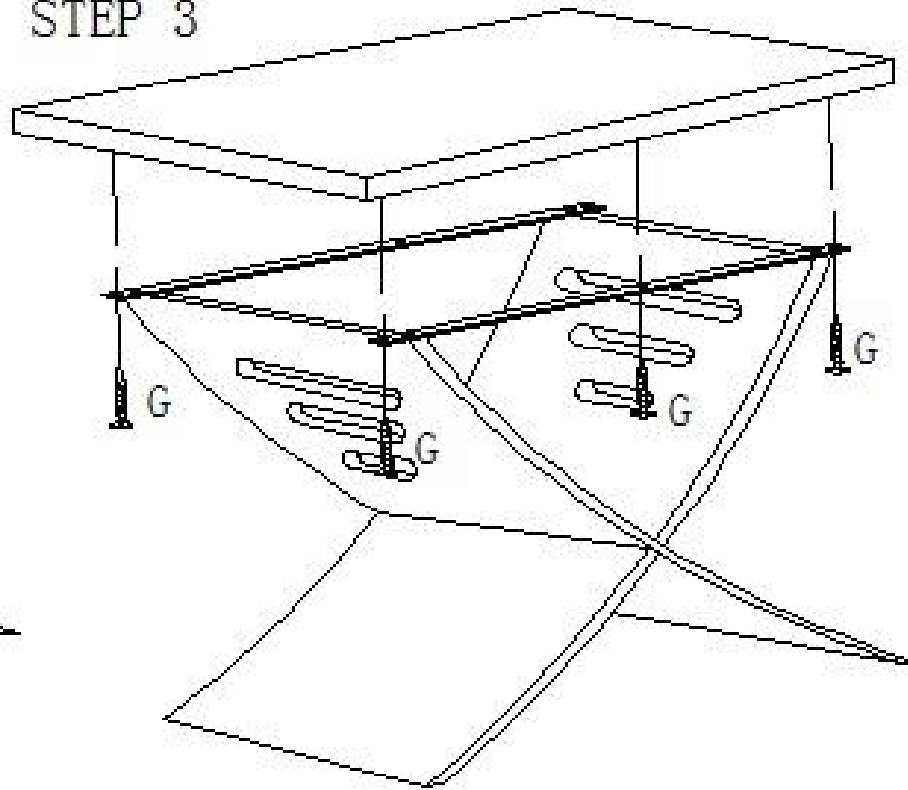
STEP 1



STEP 2



STEP 3



A		2PCS
B		4PCS
C		2PCS
D		4PCS
E		1 PC
F		2PCS
G		30PCS
H		1 PC