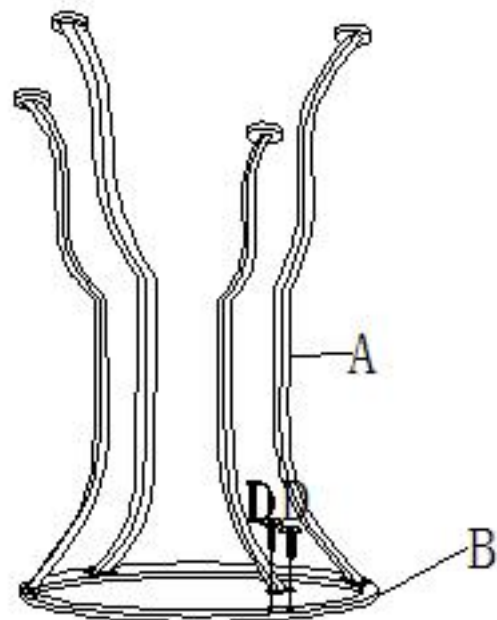
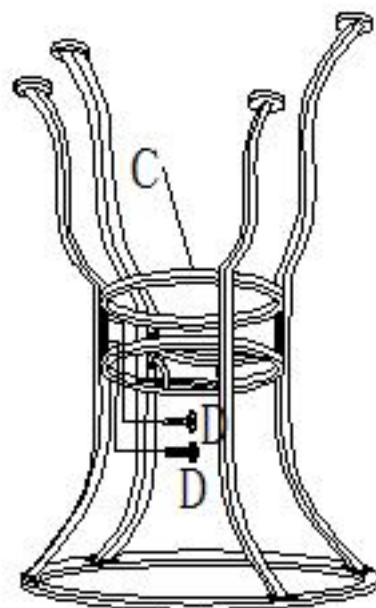


ASSEMBLY INSTRUCTIONS


STEP1



STEP2




HARDWARE LIST

A		4PCS
---	---	------

B		1PC
---	---	-----

C		1PC
---	---	-----

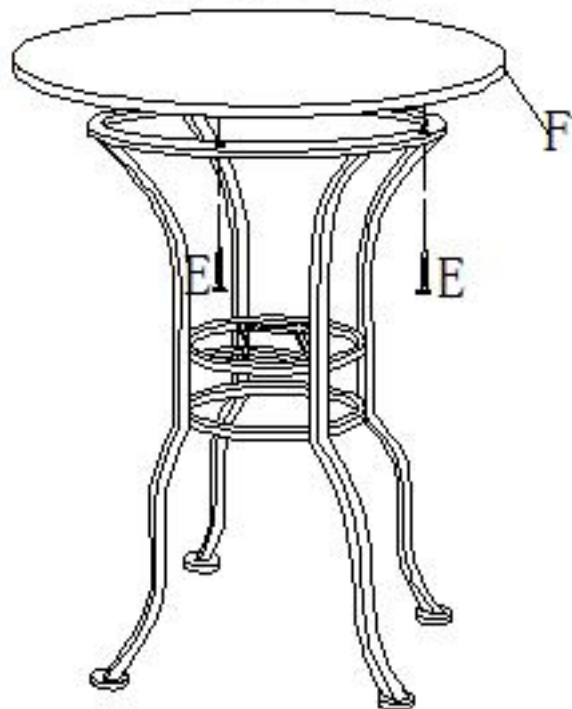
D		16PCS
---	---	-------

E		4PCS
---	---	------

F		1PC
---	---	-----

G		1PC
---	---	-----

STEP3



STEP4

