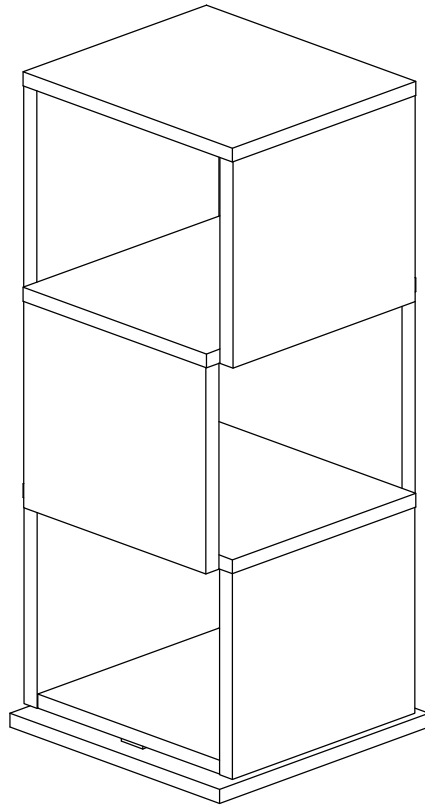
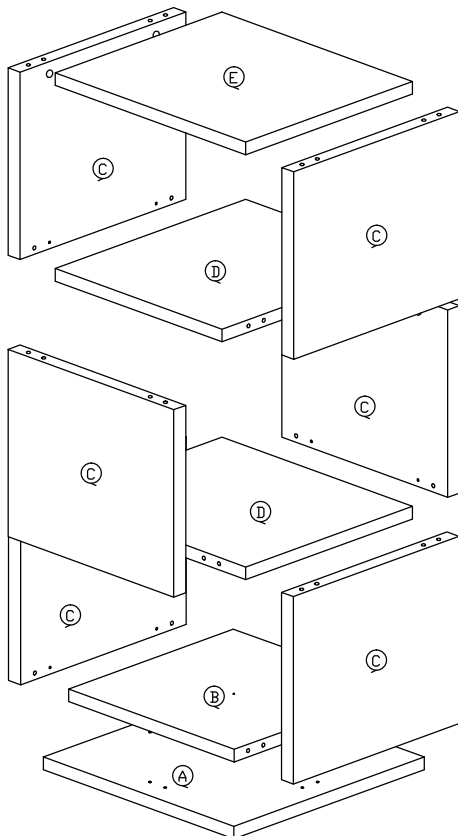


# Assembly Instruction

Model : WI4889



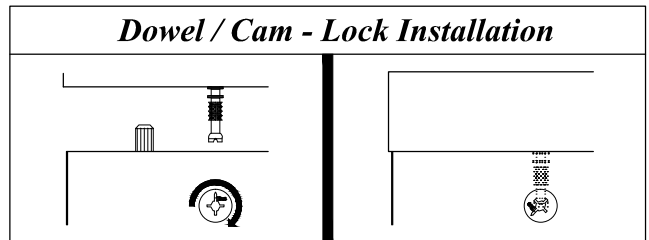
## Part List



## Hardware List

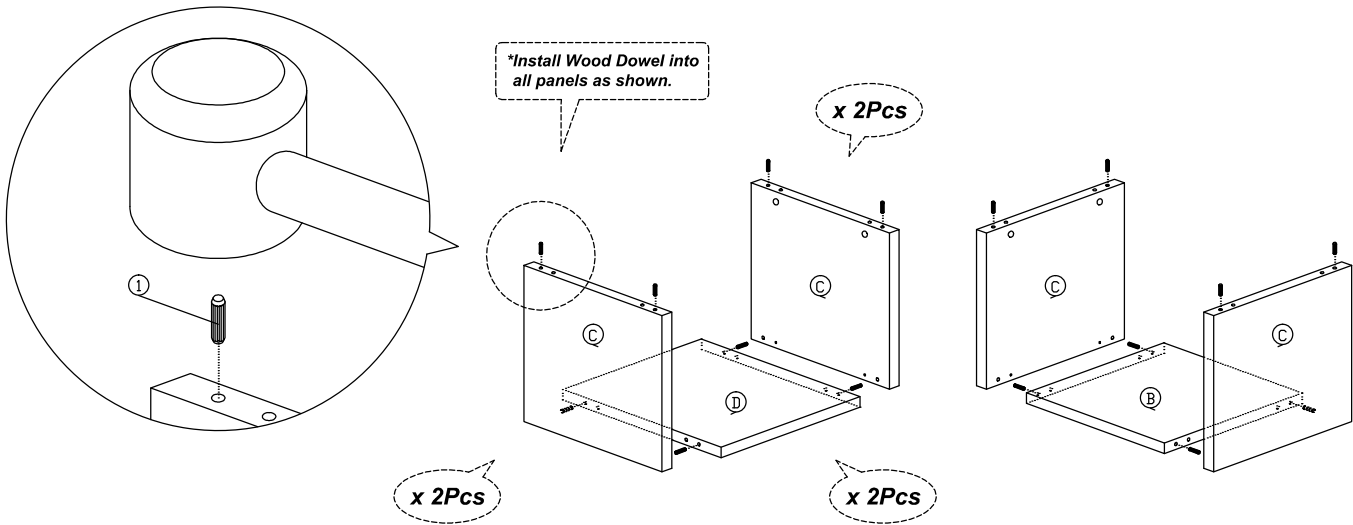
No.	SHAPE	DESCRIPTION	Qty.
1		8x25mm Wood Dowel	24Pcs
2		15MM Titus Mini Fix	24Sets
3		M3.5x16mm Screw	4Pcs
4		M4x50mm Screw	1Pc
5		15mm Minifix Cap (hole)	12Pcs
6		Nail Leg	4Pcs
7		Turning Plate 12" - 2113	1Set
8		2 Pin Stopper	4Pcs

## Dowel / Cam - Lock Installation

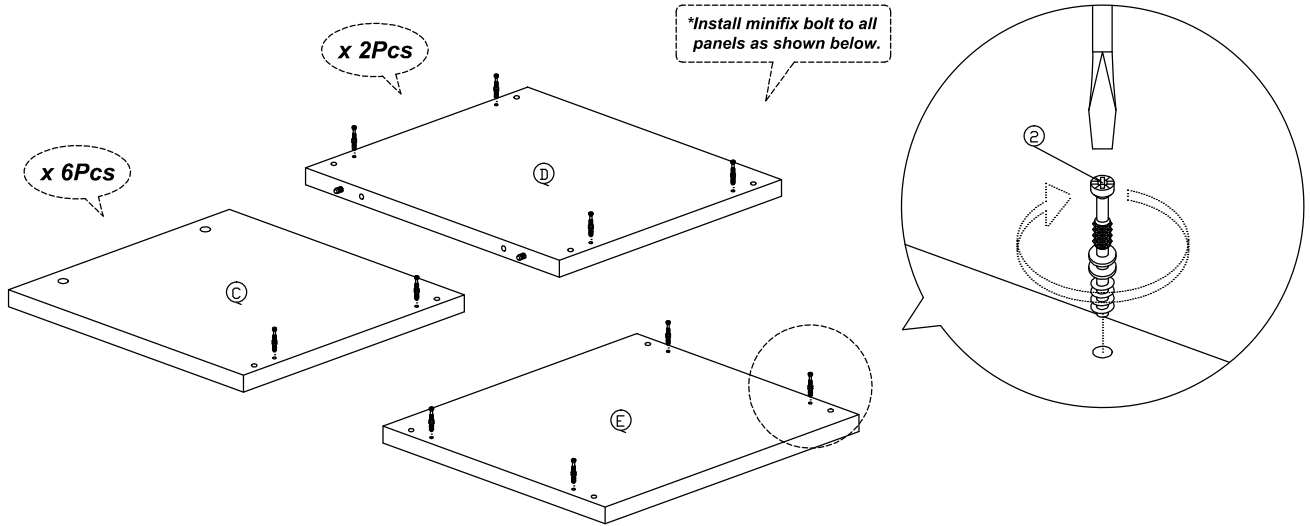


# Assembly Instruction

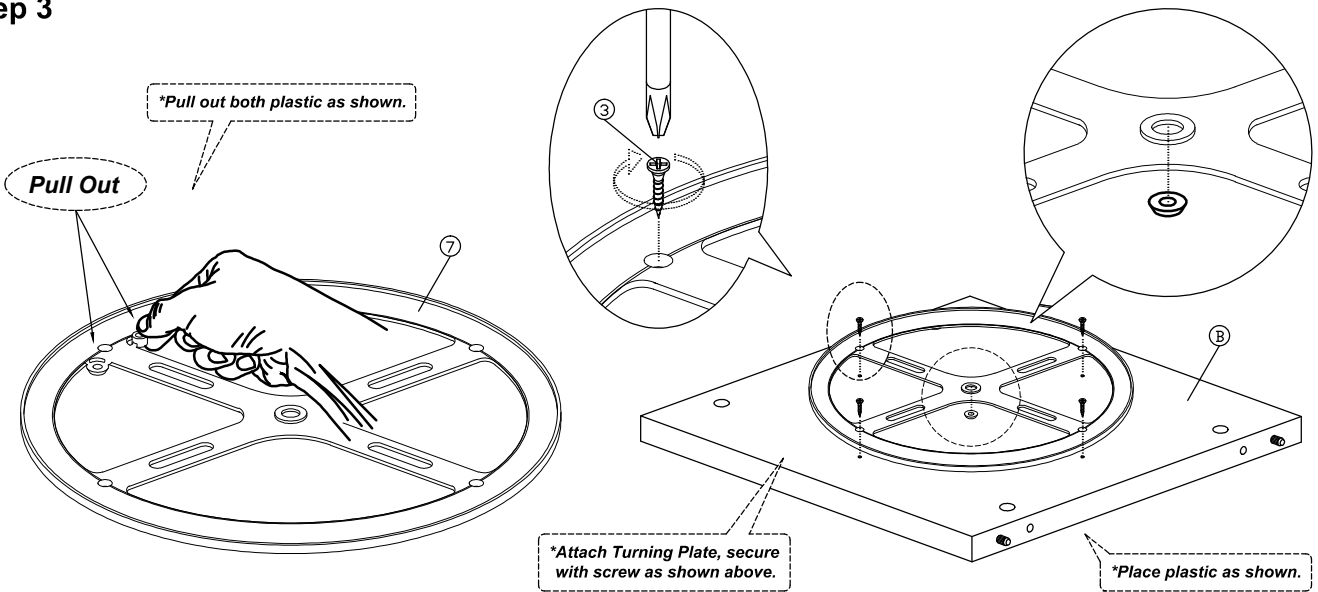
### Step 1



### Step 2

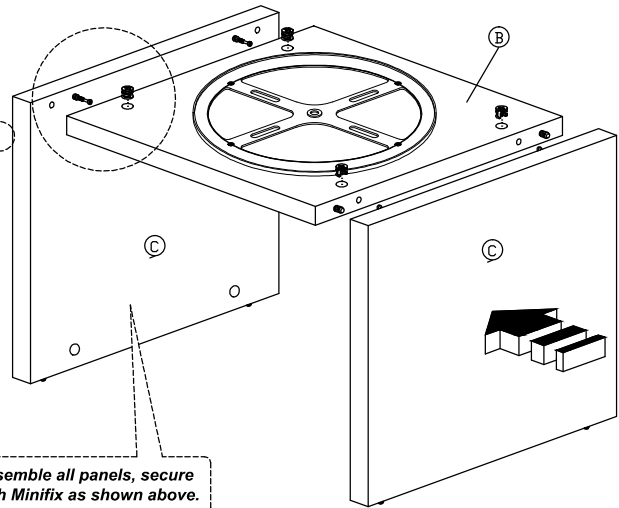
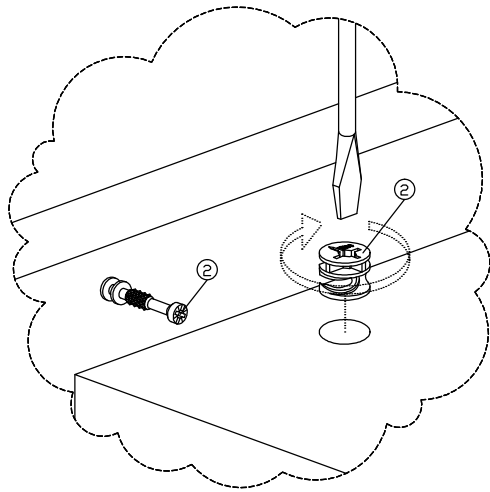


### Step 3

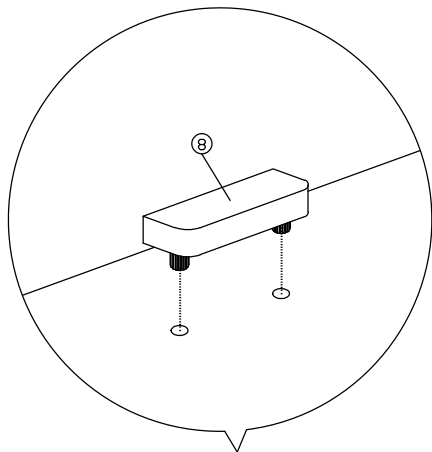


# Assembly Instruction

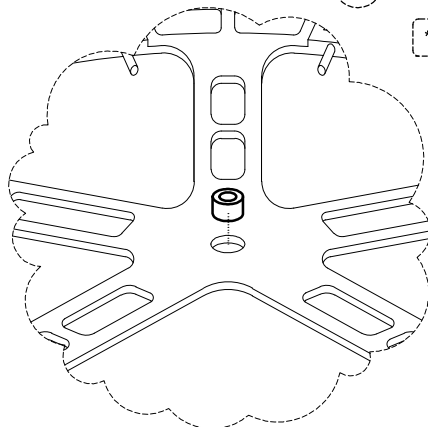
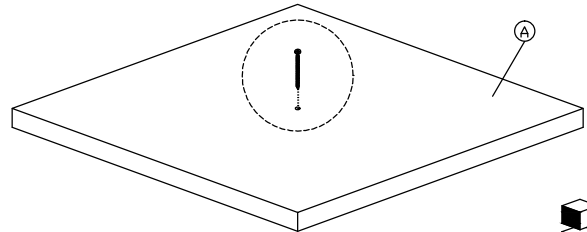
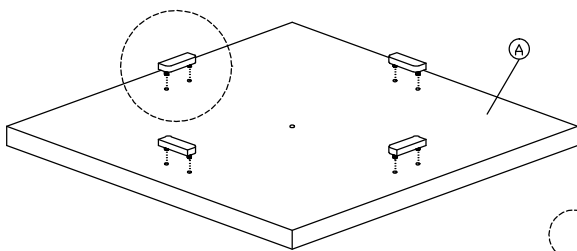
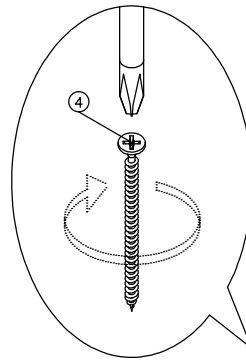
## Step 4



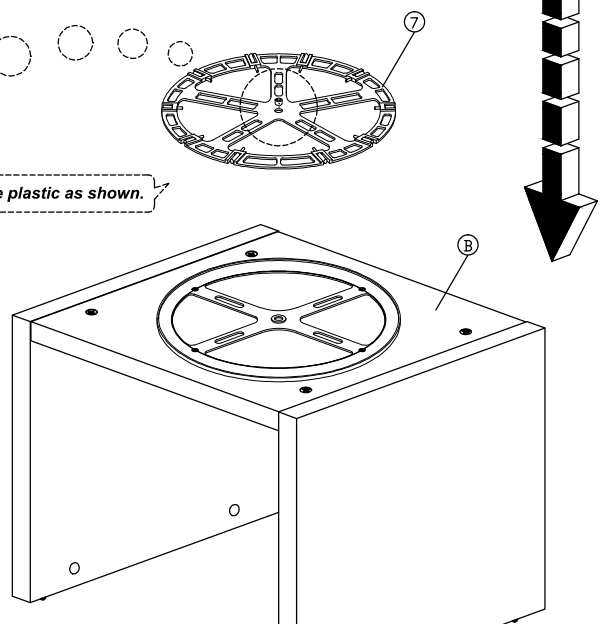
## Step 5



*\*Attach 2 Pin Stopper to panel as shown below.*

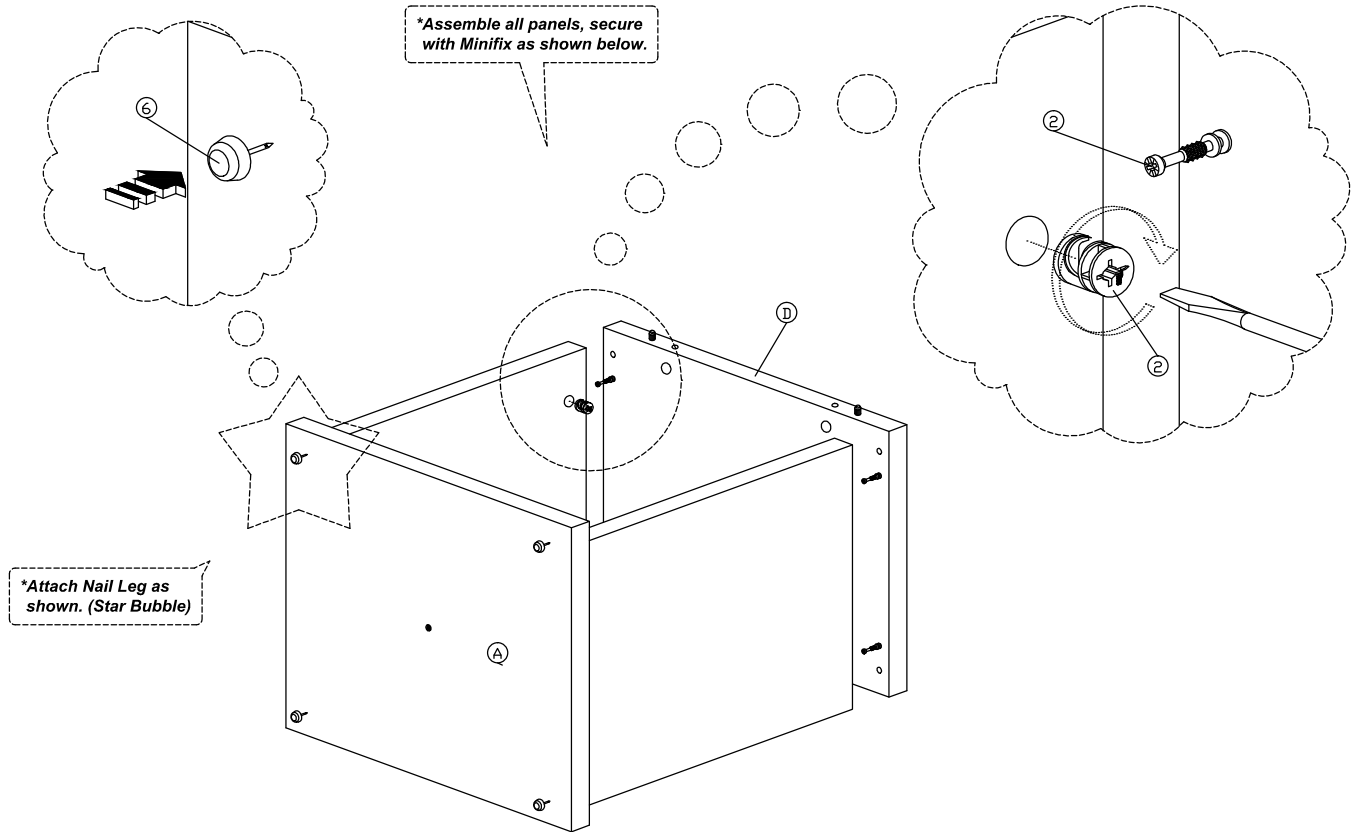


*\*Place plastic as shown.*

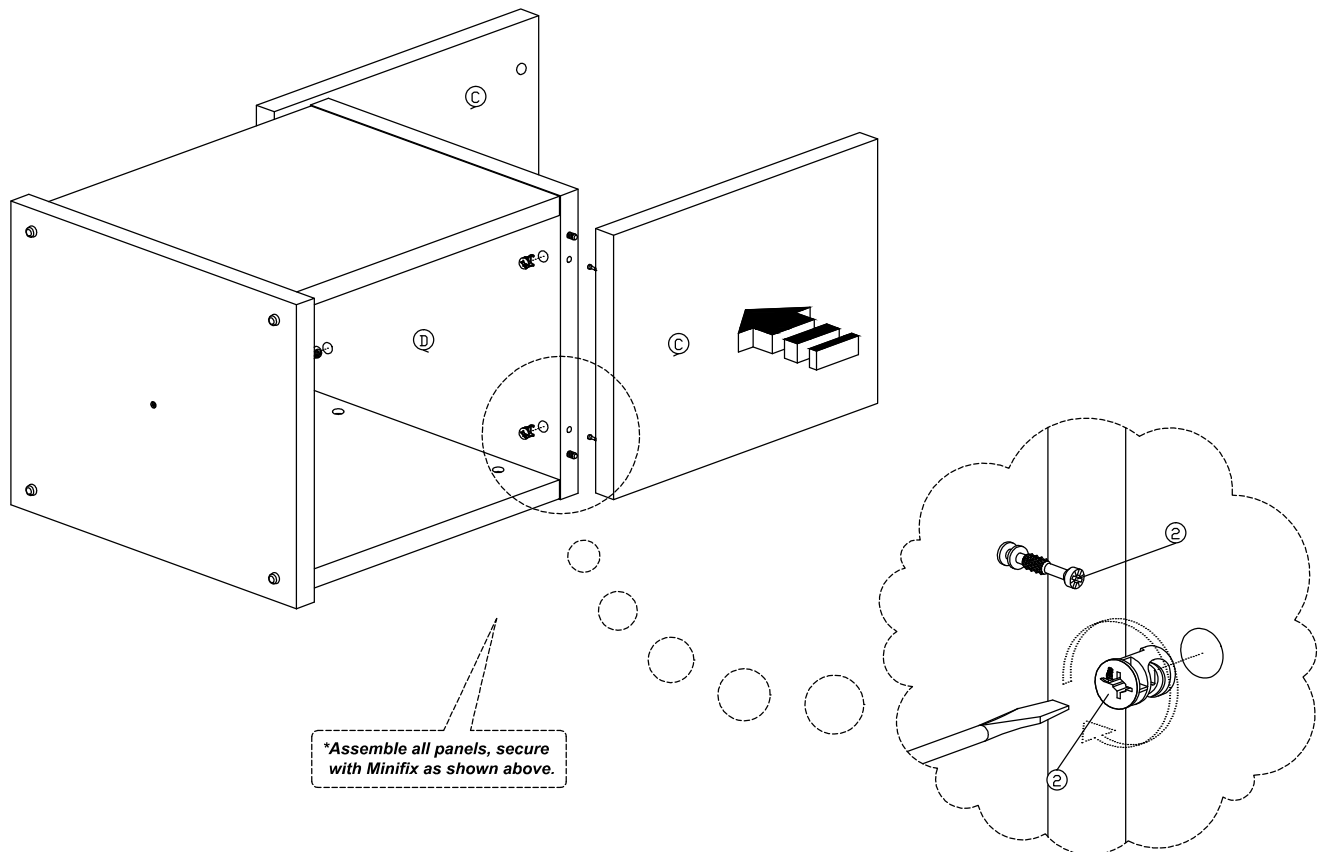


# Assembly Instruction

## Step 6

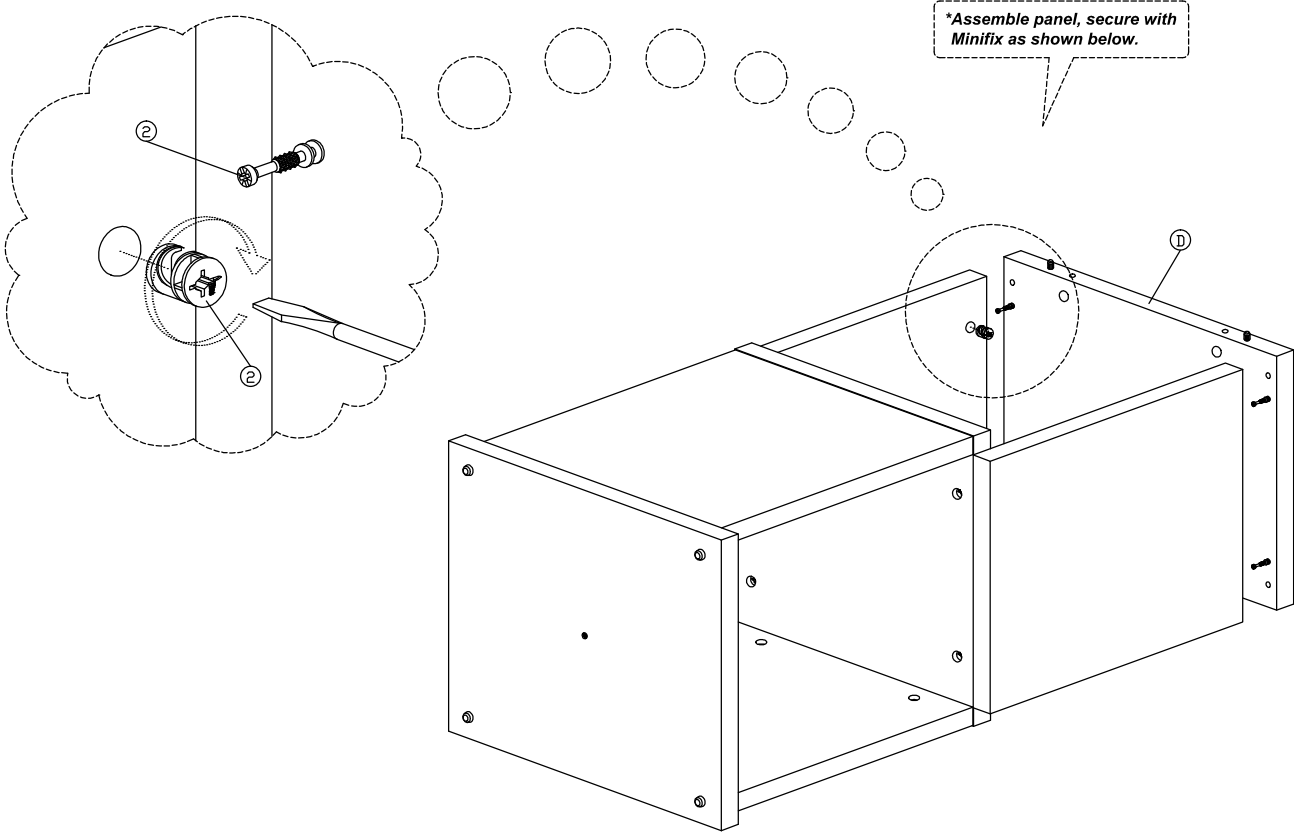


## Step 7

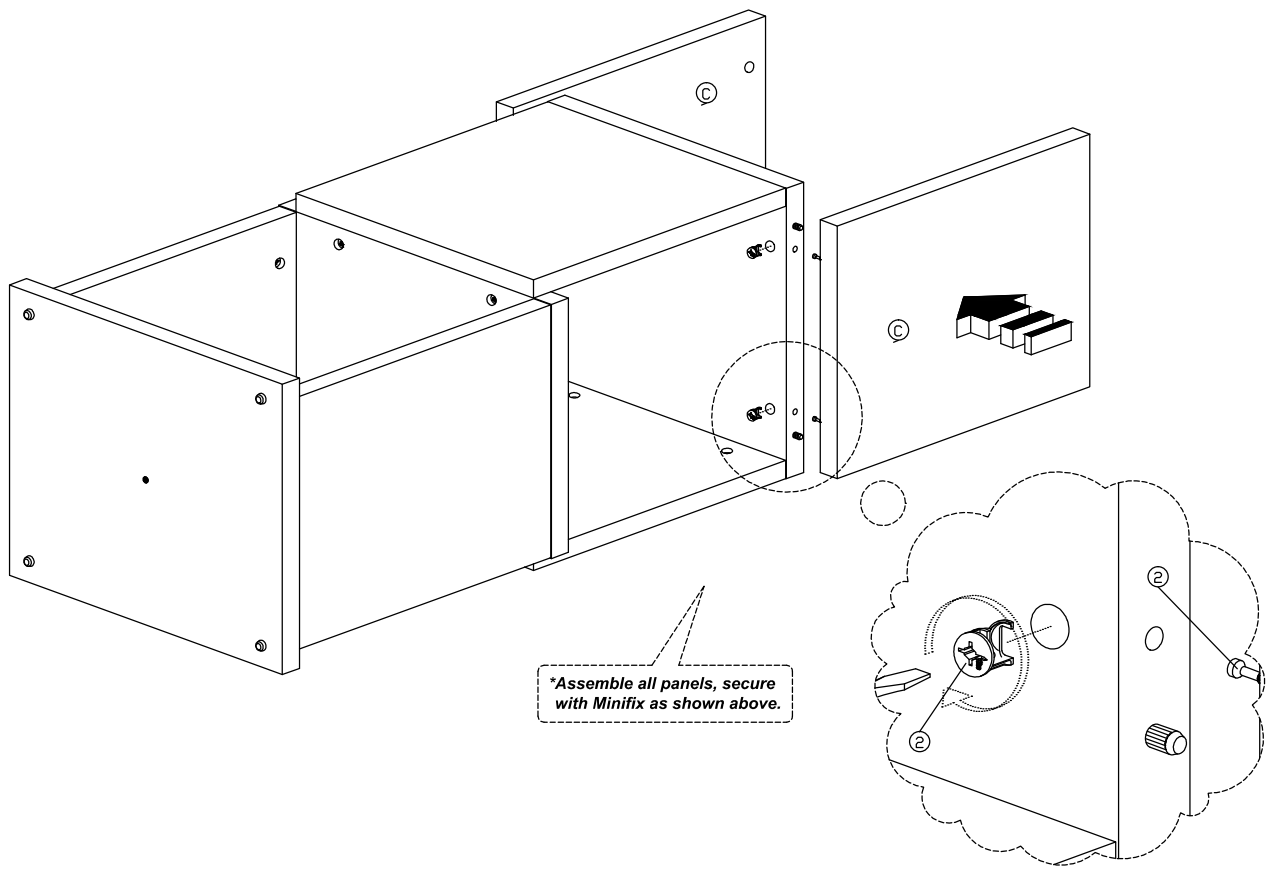


# Assembly Instruction

## Step 8



## Step 9



# Assembly Instruction

## Step 10

