

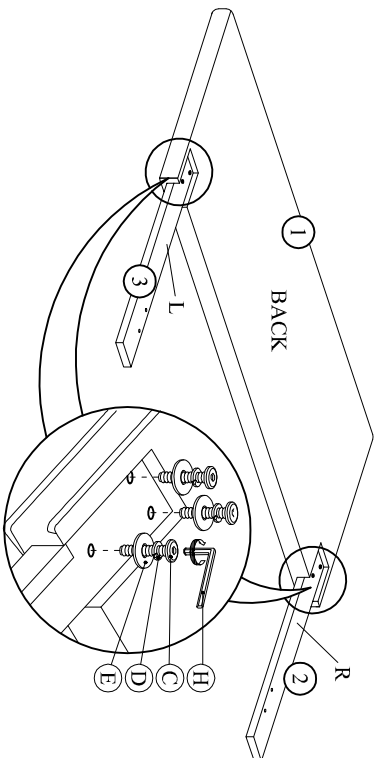
ASSEMBLY INSTRUCTION

ITEM : WA8028-KB

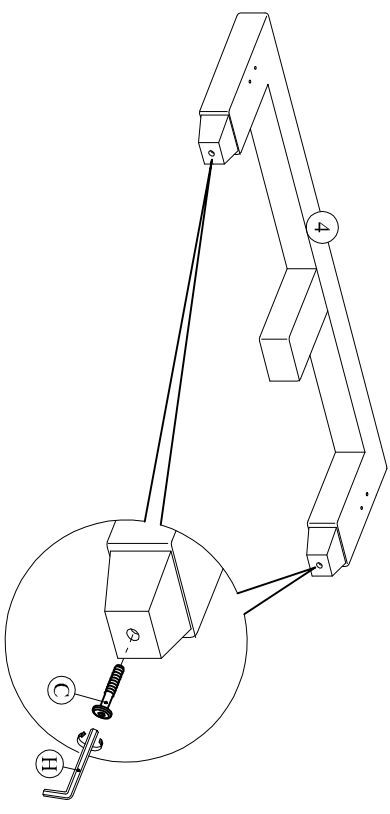
NO	PARTLIST	QTY
1	HEADBOARD CUSHION	1PC
2	RIGHT HEADBOARD LEG (WITH 'R' LABEL)	1PC
3	LEFT HEADBOARD LEG (WITH 'L' LABEL)	1PC
4	FOOTBOARD CUSHION	1PC
5	FOOTBOARD LEG	2PCS
6	SIDE RAIL	2PCS
7	SLAT	1PC
8	SLAT	3PCS
9	SUPPORT LEGS WITH ADJUSTABLE FEET	7PCS

ITEM	HARDWARE	QTY
A	JCBB SCREW M8 x 20MM	8PCS
B	JCBC SCREW M6 x 35MM	7PCS
C	JCBC SCREW M6 x 50MM	8PCS
D	SPRING WASHER	6PCS
E	FLAT WASHER	6PCS
F	SCREW M4 x 32MM	8PCS
G	L - KEY M5 x 65MM	1PC
H	L - KEY M4 x 65MM	1PC

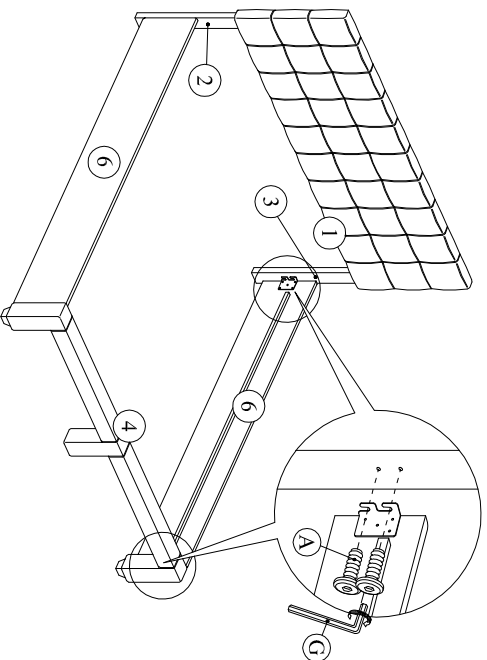
STEP 1
Attach each Headboard Leg (2) & (3) to Headboard (1) using 3 Allen Bolts (C), 3 Spring Washers (D), 3 Flat Washers (E) per headboard Leg. Tighten bolts with Allen Key (H) provided.



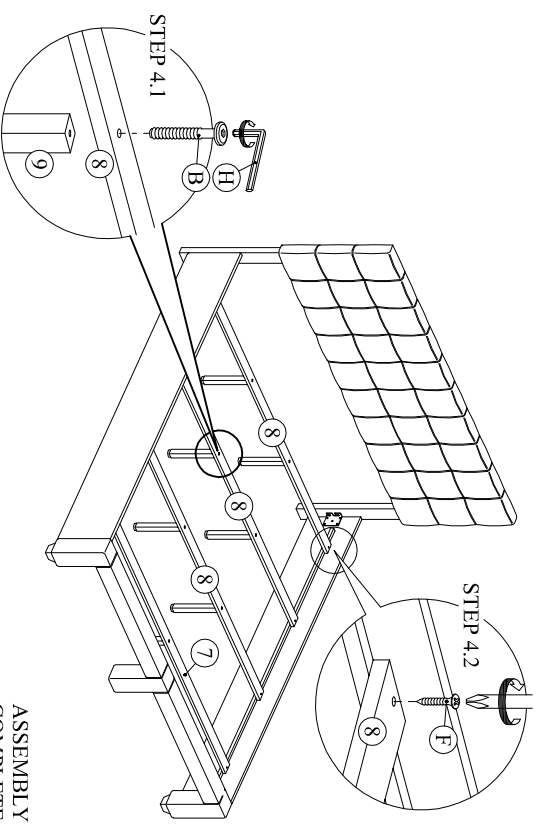
STEP 2
Attach each Footboard Leg (5) to Footboard (4) using 1 Allen Bolt (C) per Footboard Leg. Tighten bolts with Allen Key (H) provided.



STEP 3
Attach each Side Rails (6) to Headboard (1) using 2 Allen Bolts (A) per side and attach each Side Rails (6) to Footboard (4) using 2 Allen Bolts (A) per side. Tighten bolts using Allen Key (G) provided.



STEP 4
Attach 2 Support Leg (9) to each Slat (8) with 2 holes (8) and attach 1 Support Leg (9) to Slat with one hole. (7). Tighten all bolts with Allen Key (H) provided. Attach each Slat (8) to Side Rail (6) using 1 Wood Screw (F) per side. Then take the Slat (7) and secure it at the position as per drawing shown by using 1 Wood Screw (F) per side



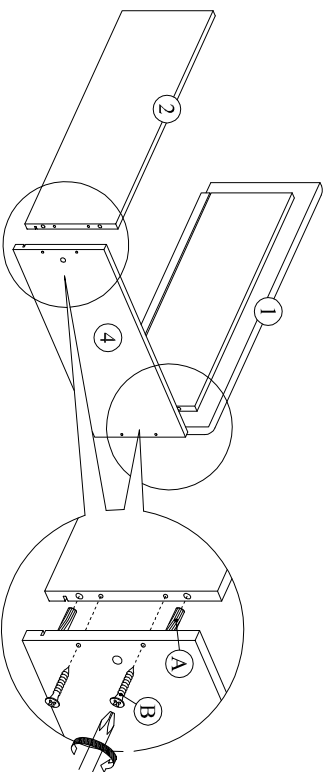
ASSEMBLY COMPLETE

ASSEMBLY INSTRUCTION

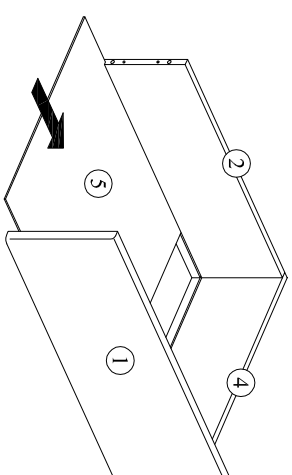
ITEM : DRAWER

NO	PARTLIST	QTY
1	DRAWER FRONT	1PC
2	DRAWER BACK	1PC
3	DRAWER SIDE	1PC
4	DRAWER SIDE	1PC
5	BOTTOM PANEL	1PC
6	RAIL	2PC
7	CASTER	4PC
ITEM	HARDWARE	QTY
A	DOVEL M8 x 30	16PCS
B	SCREW M4 x 32MM	8PCS
C	SCREW M4 x 16MM	16PCS
D	JCBC SCREW M6 x 35MM	2PCS

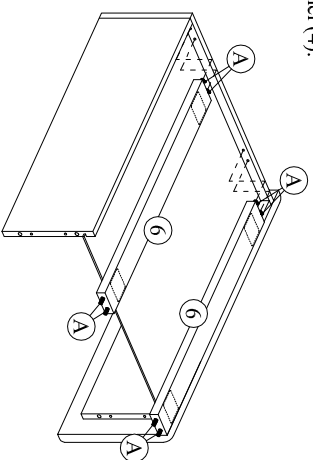
STEP 1
First, inserting 2 Wood Dowels (A) into Drawer Side panel (4) per side as per drawing shown. Next attach Drawer Side panel (4) to Drawer Back panel (2) and Drawer Front panel (1) by using 2 Wood Screws (B) per side.



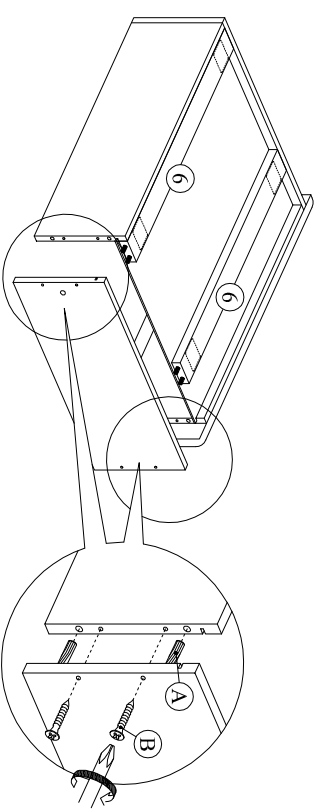
STEP 2
Inserting Bottom Panel (5) as per drawing shown.



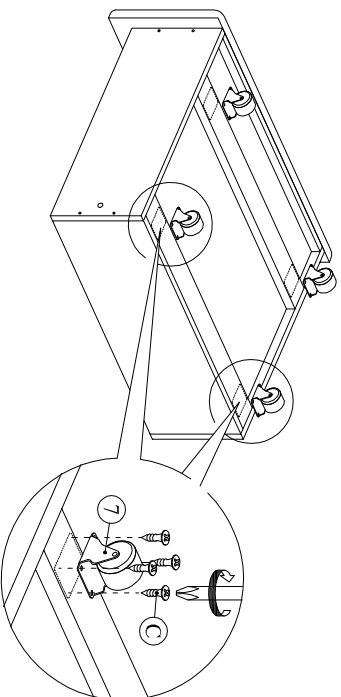
STEP 3
Inserting 2 Wood Dowels (A) to each side of the Rails (6), then insert the Rails (6) into Drawer Side panel (4).



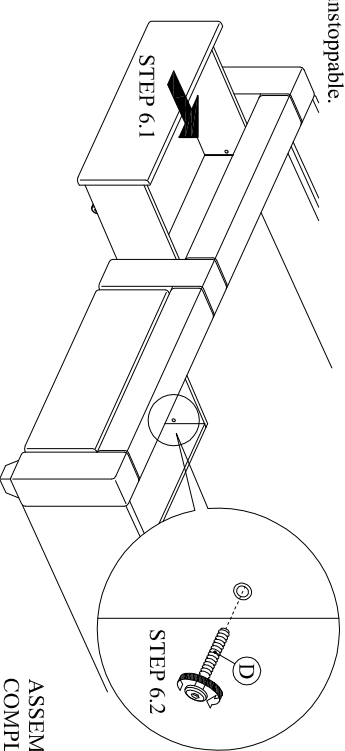
STEP 4
Inserting 2 Wood Dowels (A) into Drawer Side panel (3) per side as per drawing shown. Next attach Drawer Side panel (3) to Drawer Back panel (2) and Drawer Front panel (1) by using 2 Wood Screws (B) per side.



STEP 5
Securing each Casters (7) to the pre-marked outline on Rail (6) by using 4 Wood Screws (C)



STEP 6
The assembly of drawer is now complete. Repeating each step to assemble the remaining drawers. Push in the assembly drawer into footboard then insert Allen Bolt(s)(D) each of the Drawer Side panel (3) & (4) as this bolt will act as a stopper to prevent drawer moving out unstoppable.



IMPORTANT NOTICE:
THE ABOVE PART LIST, HARDWARE AND ASSEMBLY STEP IS FOR 1 PIECE DRAWER ONLY. REPEAT THE SAME STEP FOR THE REMAINING DRAWERS.

ASSEMBLY COMPLETE