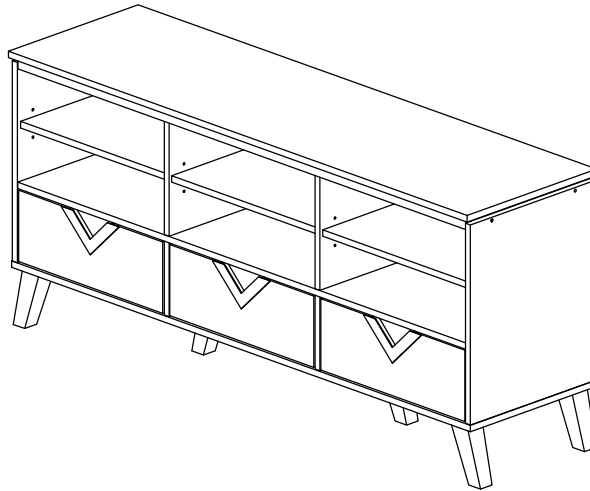
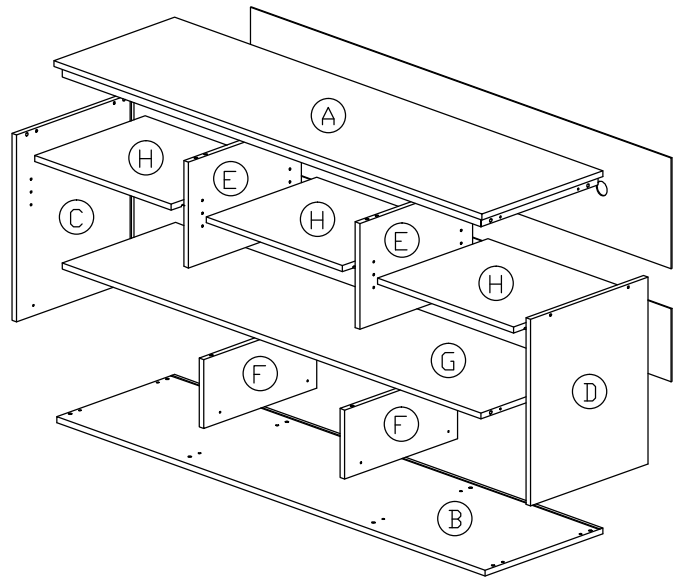
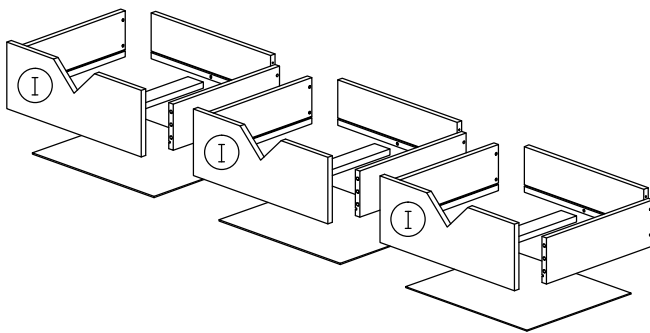


Assembly Instruction

Model : W1515

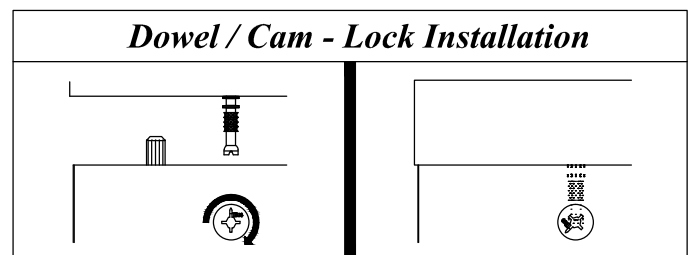


Part List



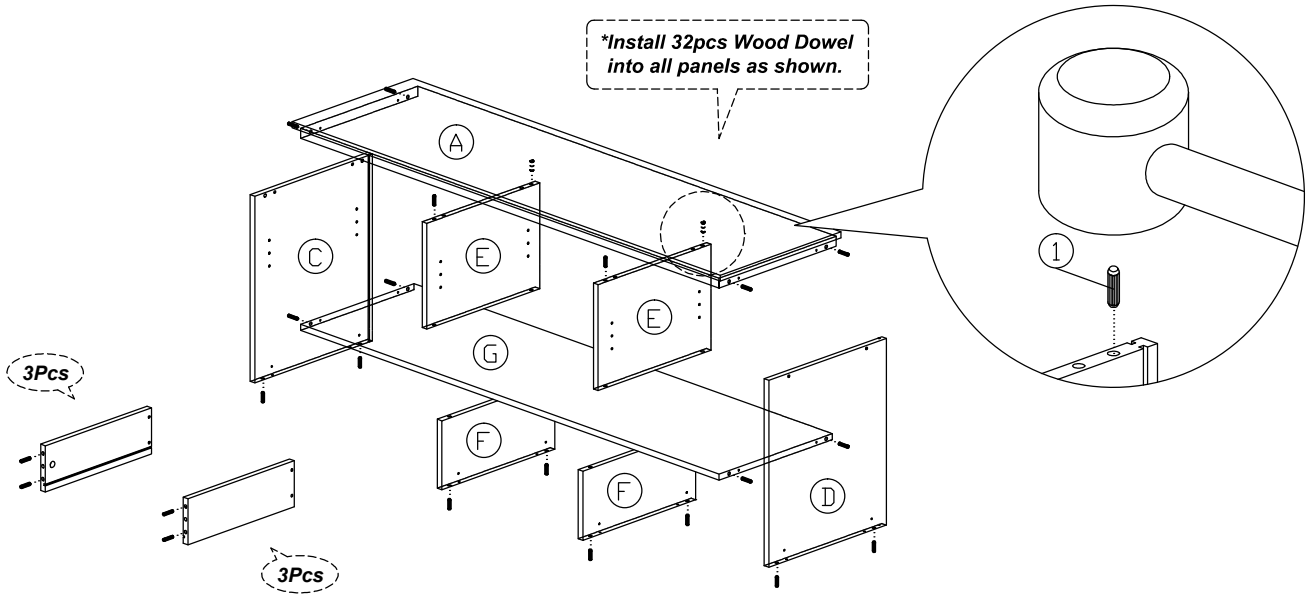
<i>Hardware List</i>			
No.	SHAPE	DESCRIPTION	Qty.
1		8x25mm Wood Dowel	32Pcs
2		8x50mm Wood Dowel	4Pcs
3		15MM Titus Mini Fix	13Sets
4		M5x8mm Screw (Euro Screw)	12Pcs
5		M3.5x15mm Screw	45Pcs
6		M4x38mm Screw	15Pcs
7		M5x38mm Screw	16Pcs
8		Shelf Support	12Pcs
9		Nail	10Pcs
10		15mm Minifix Cap	10Pcs

11		Screw Cap	8Pcs
12		OS 140mm Long Tapper (Black)	6Pcs
13		Drawer Slide = 350mm	3Sets
14		OS - V Handle	3Pcs

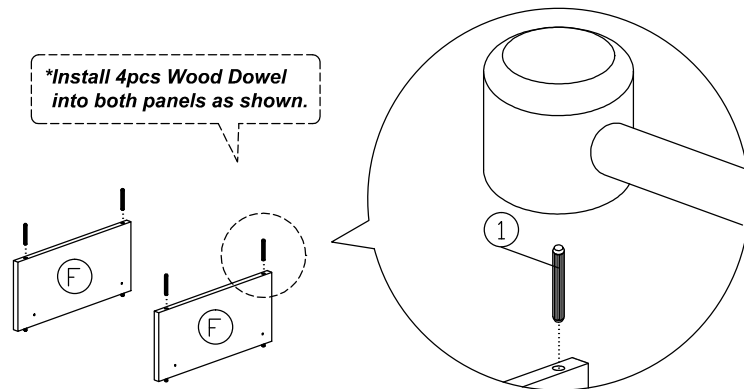


Assembly Instruction

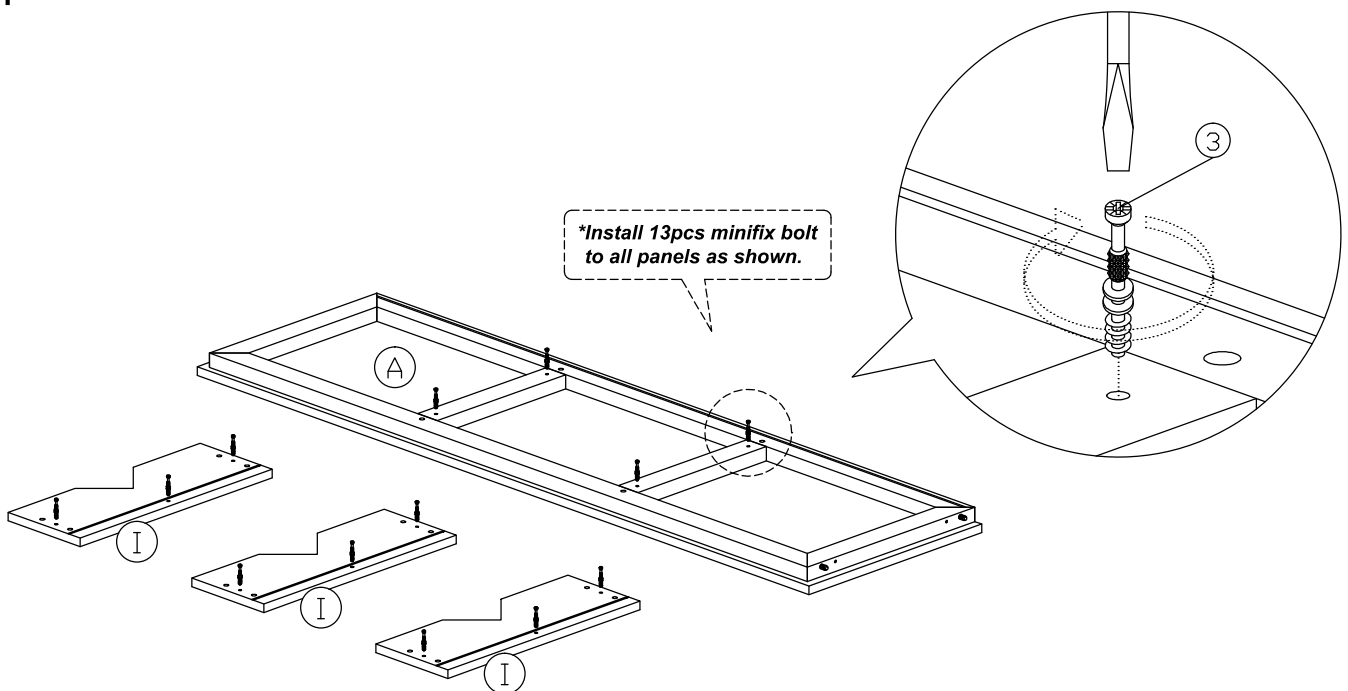
Step 1



Step 2

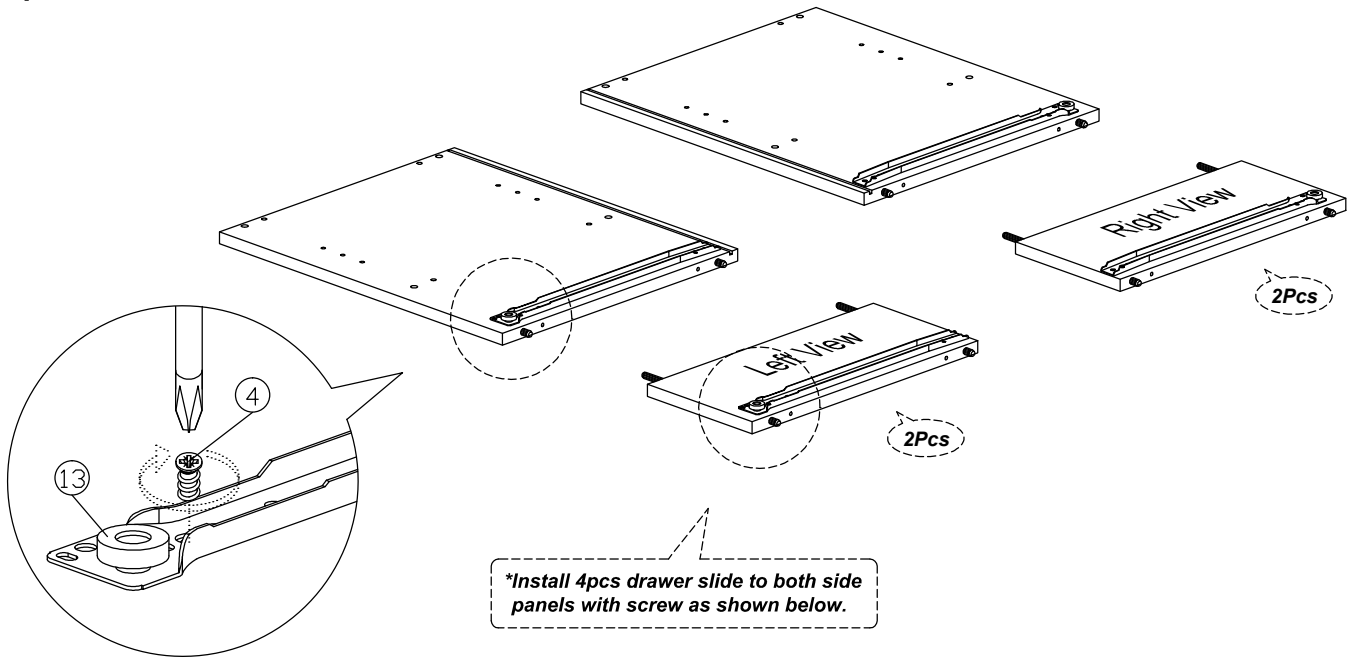


Step 3

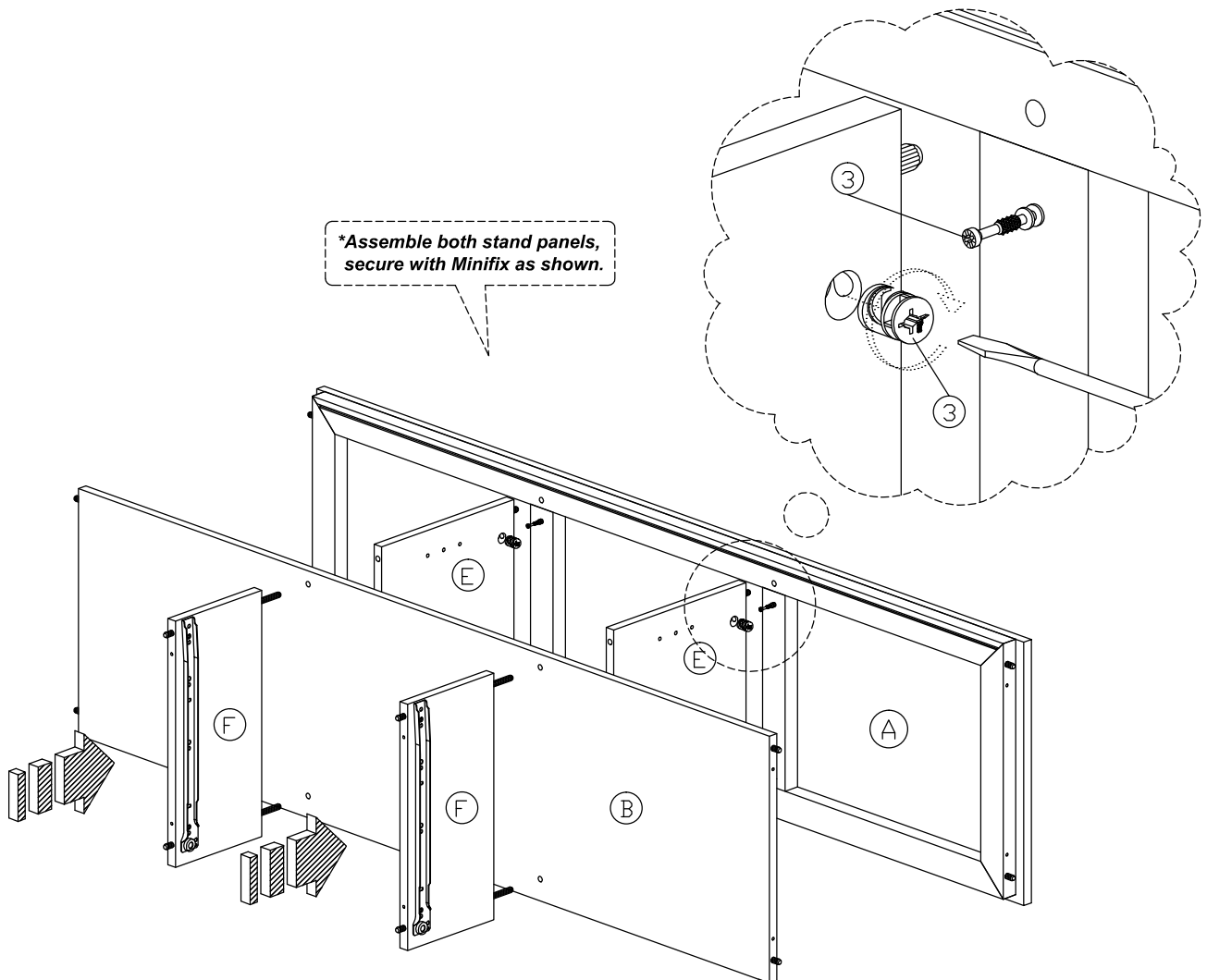


Assembly Instruction

Step 4

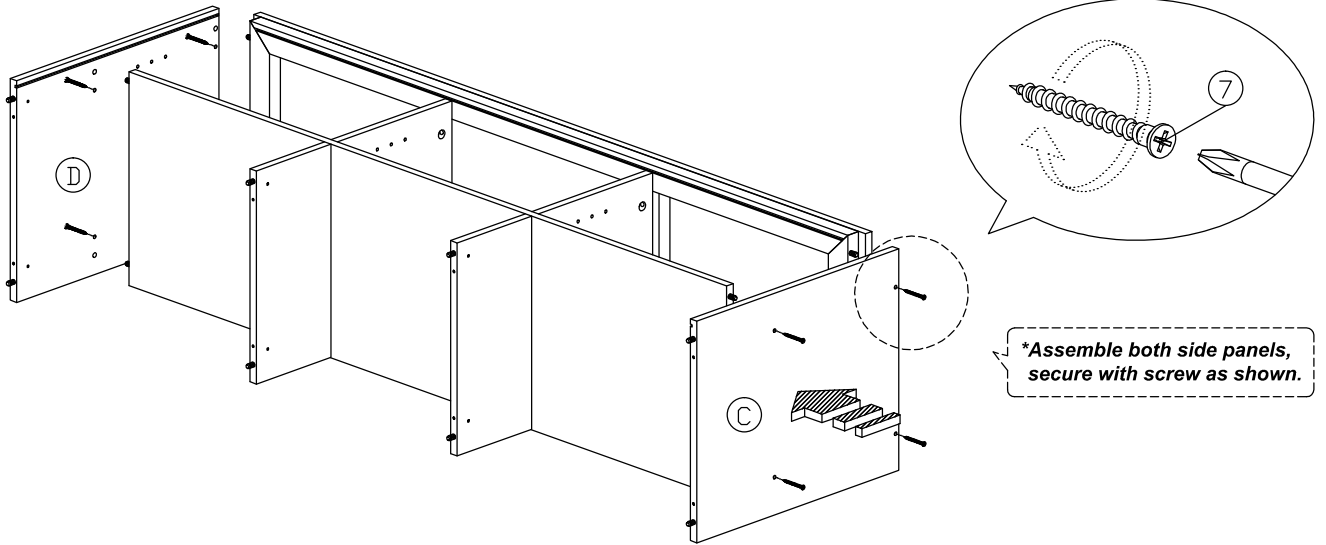


Step 5

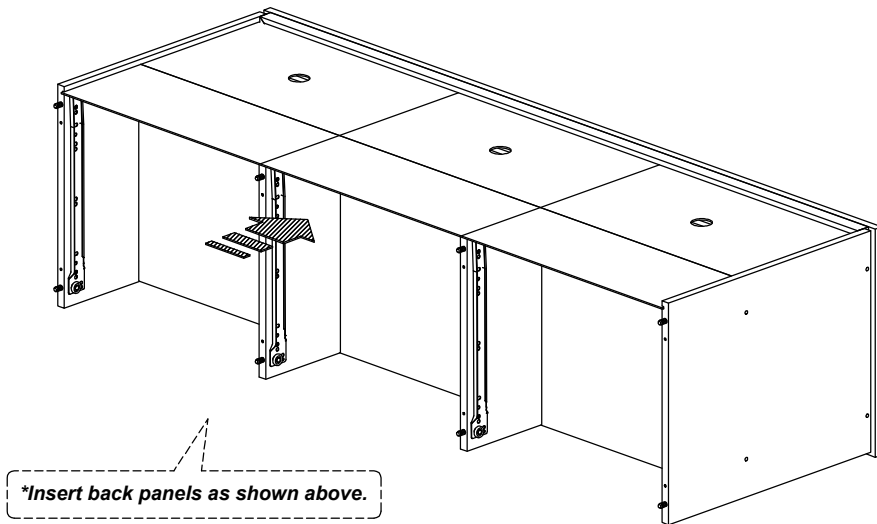


Assembly Instruction

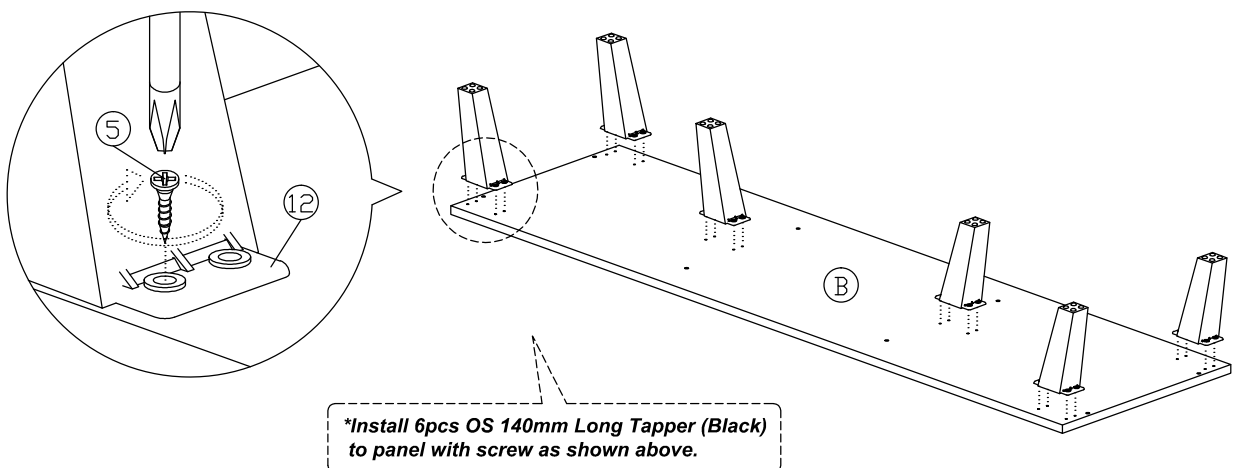
Step 6



Step 7



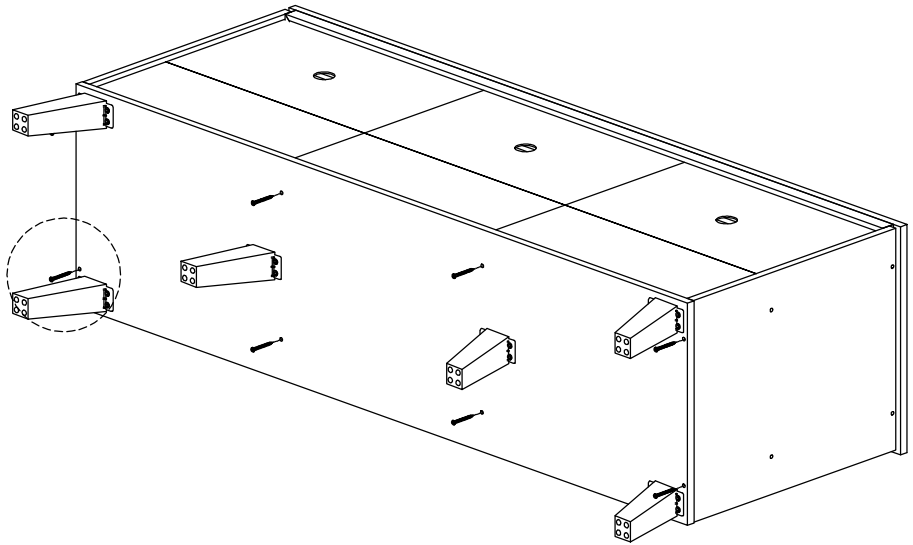
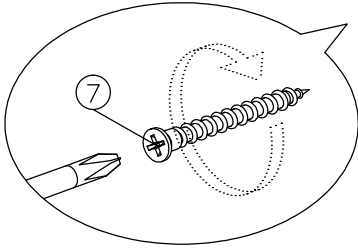
Step 8



Assembly Instruction

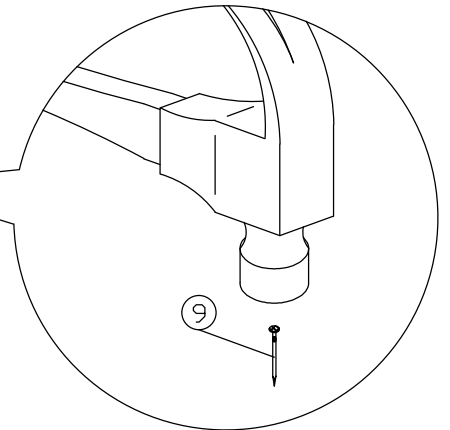
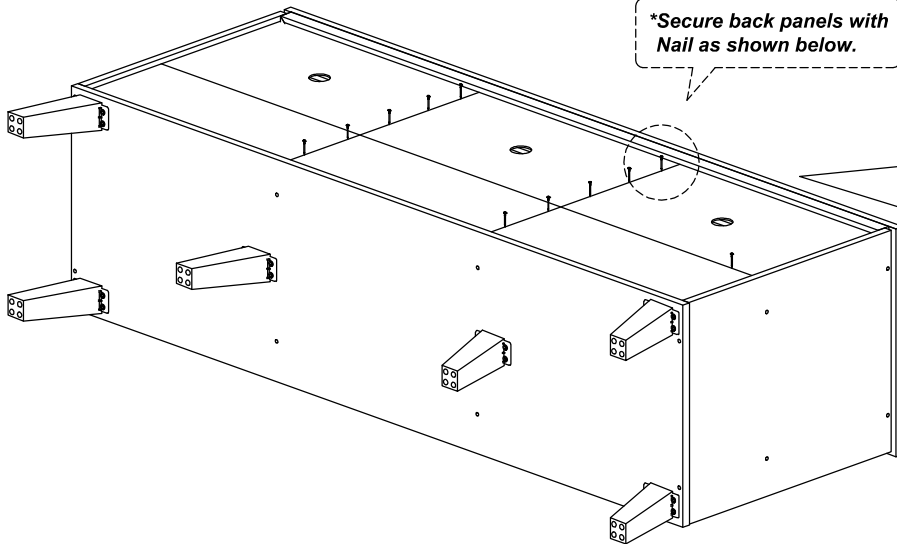
Step 9

**Assemble bottom panel, secure with screw as shown.*



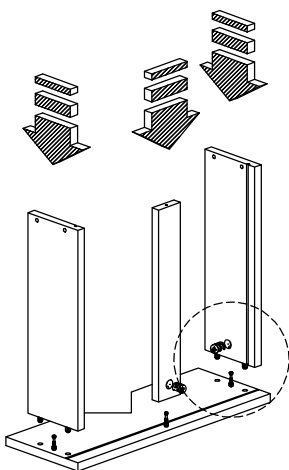
Step 10

**Secure back panels with Nail as shown below.*

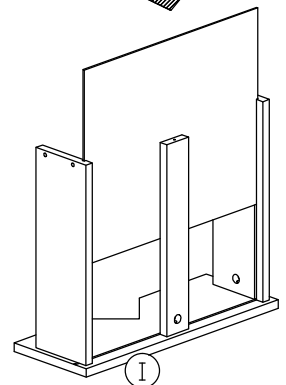
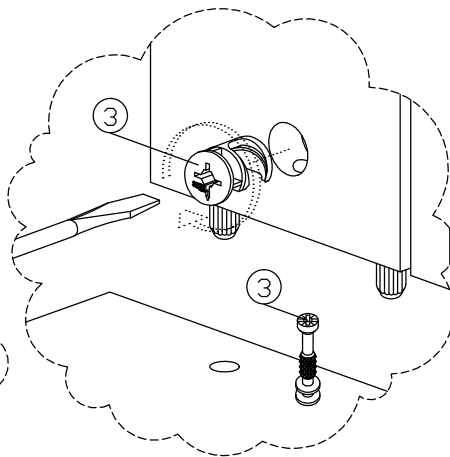


Step 11

**Insert drawer bottom as shown.*

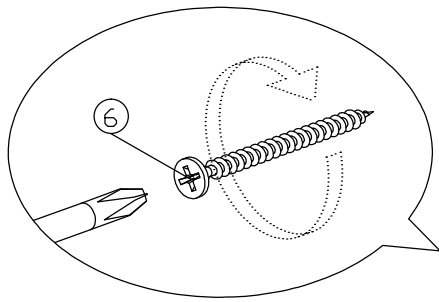


**Assemble drawer panels, secure with Minifix as shown.*

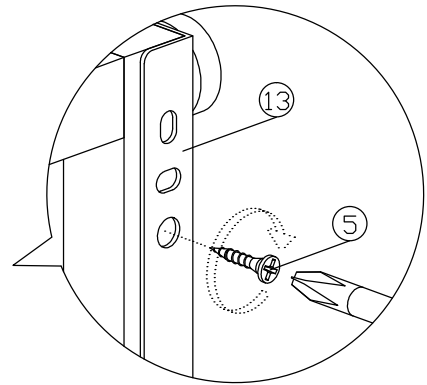
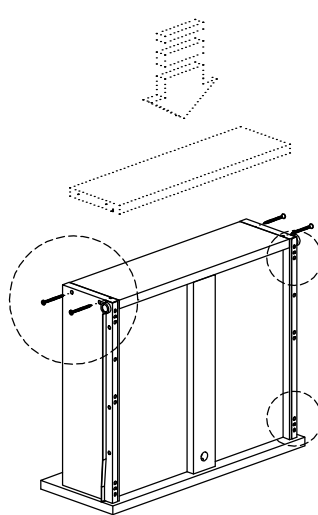


Assembly Instruction

Step 12



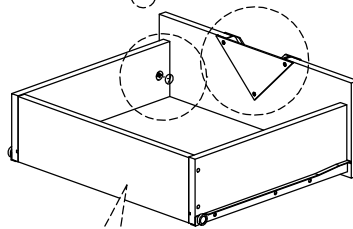
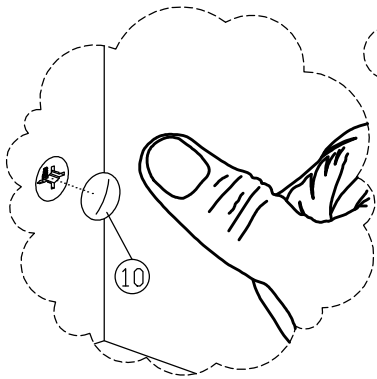
**Insert drawer back, secure with screw as shown.*



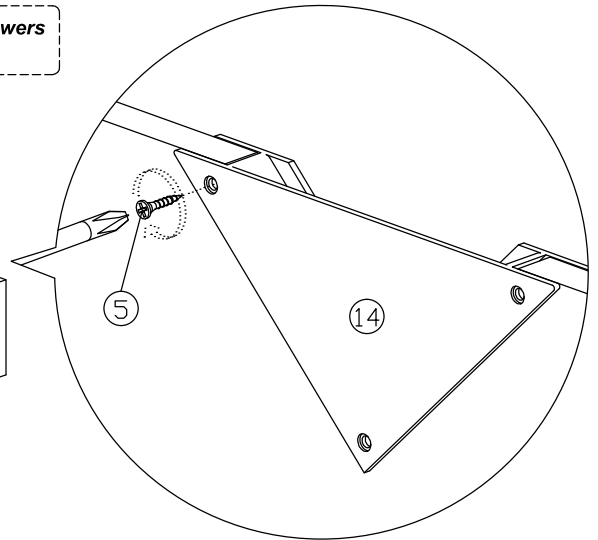
**Install Drawer Slide with screw as shown.*

Step 13

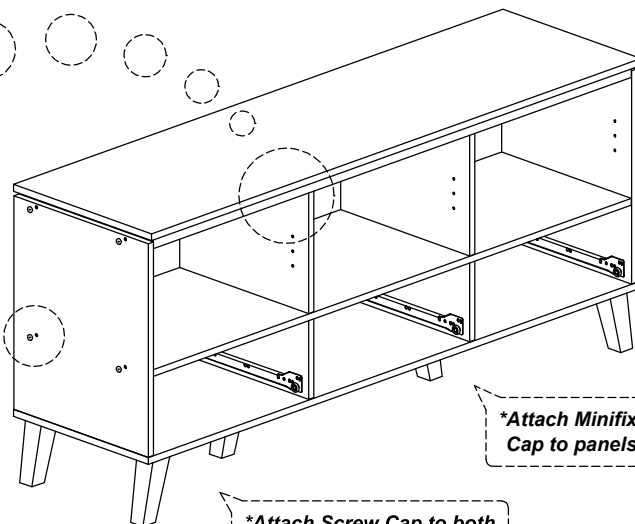
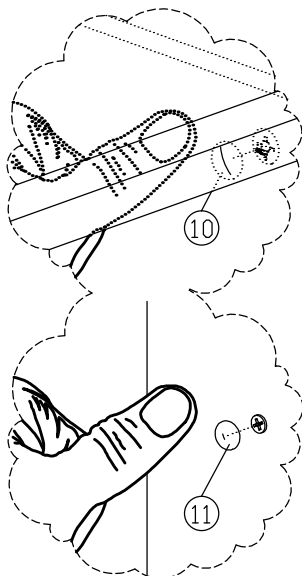
**Install Handle to both drawers with screw as shown.*



**Attach Minifix Cap to both drawer side panels as shown.*



Step 14

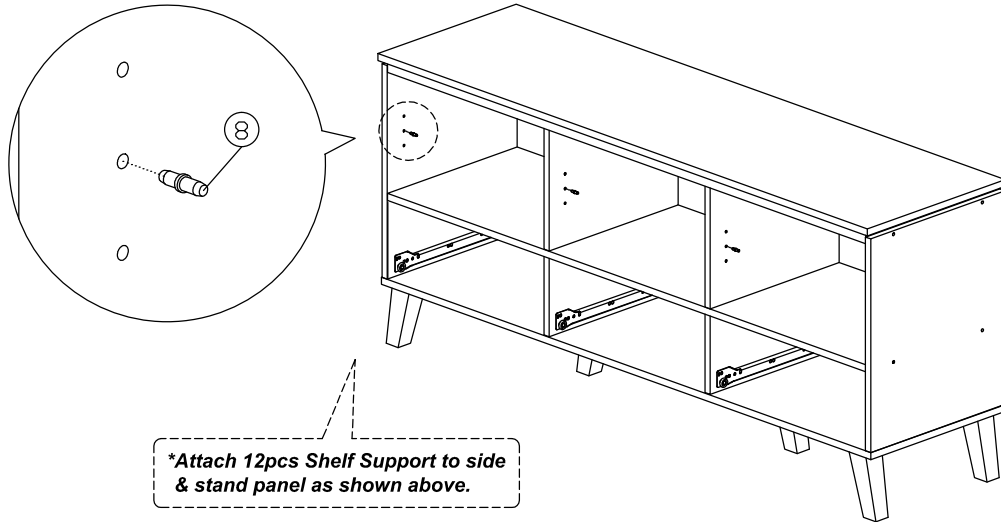


**Attach Minifix Cap & Screw Cap to panels as shown.*

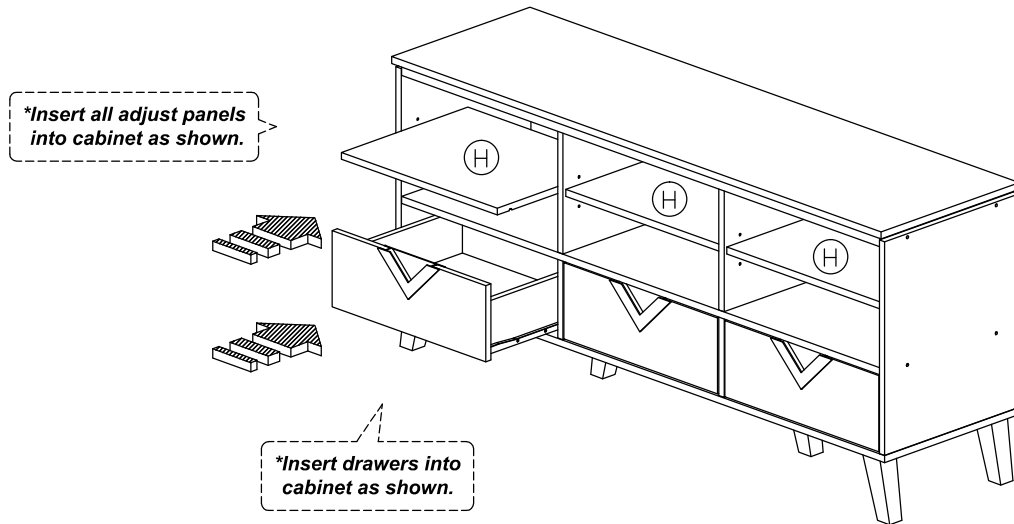
**Attach Screw Cap to both side panels as shown.*

Assembly Instruction

Step 15



Step 16



Complete

