

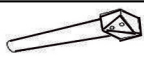
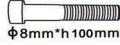





Assembly Instruction

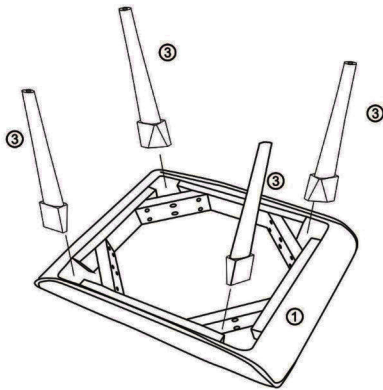
Instruction d'Assemblage

ITEM#U50333-10X/U5033N-10X/U5033W-10X/5033G-10X

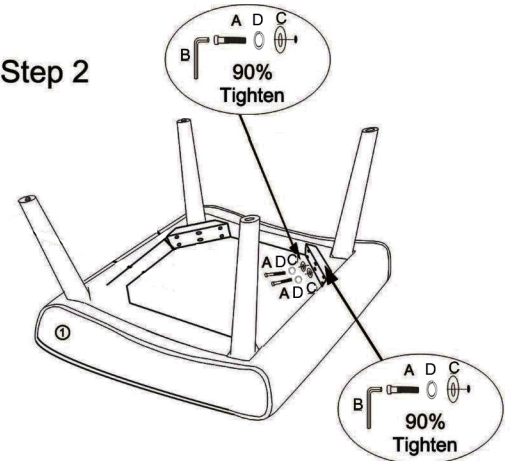
Hardware List

①		Seat	1PC
②		non-woven	1PC
③		Legs	4PCS
A	 <small>Φ8mm*h 100mm</small>	Bolts	8PCS
B		Allen Key	1PC
C		Washer	8 PCS
D		Spring Lock Washers	8 PCS

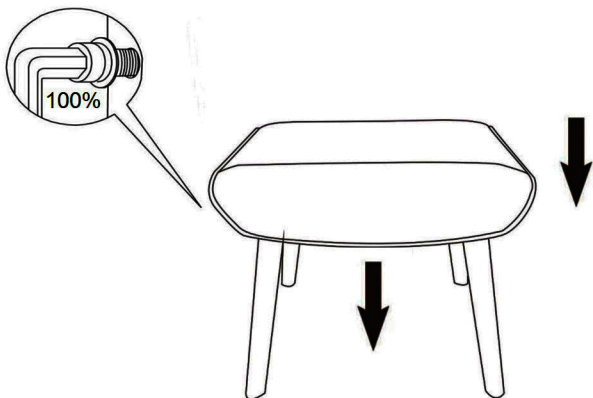
Step 1



Step 2



Step 3



Step 4

