

MODEL: TS 1047

DESCRIPTION : JAYCEE QUEEN BED

# ASSEMBLY INSTRUCTION



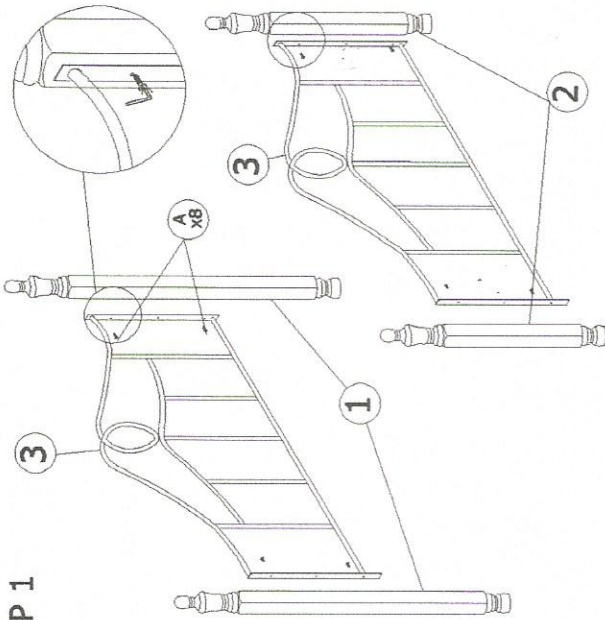
## PARTS LIST

| NO | DESCRIPTION        | QTY    |
|----|--------------------|--------|
| 1  | Headboard Leg      | 1 pcs  |
| 2  | Footboard Leg      | 1 pcs  |
| 3  | HB/FB Metal        | 2 pcs  |
| 4  | Side Rail          | 2 pcs  |
| 5  | End Bar            | 2 pcs  |
| 6  | Bendwood slat      | 26 pcs |
| 7  | Middle Support Leg | 3 pcs  |
| 8  | Middle Support     | 1 pcs  |
| 9  | End Cap            | 26 pcs |
| 10 | Middle Cap         | 13 pcs |

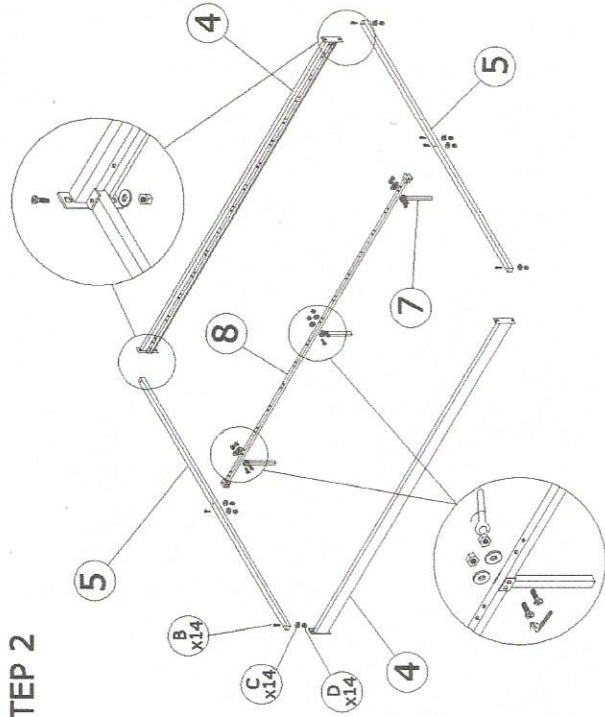
## HARDWARE LIST

| NO | DESCRIPTION  | QTY    |
|----|--------------|--------|
| A  | JCBC M6 x 20 | 16 pcs |
| B  | JCBC M6 x 35 | 14 pcs |
| C  | M6 WASHER    | 14 pcs |
| D  | M6 HEX NUT   | 14 pcs |
| E  | ALLEN KEY    | 1 pcs  |
| F  | WRENCH M10   | 1 pcs  |

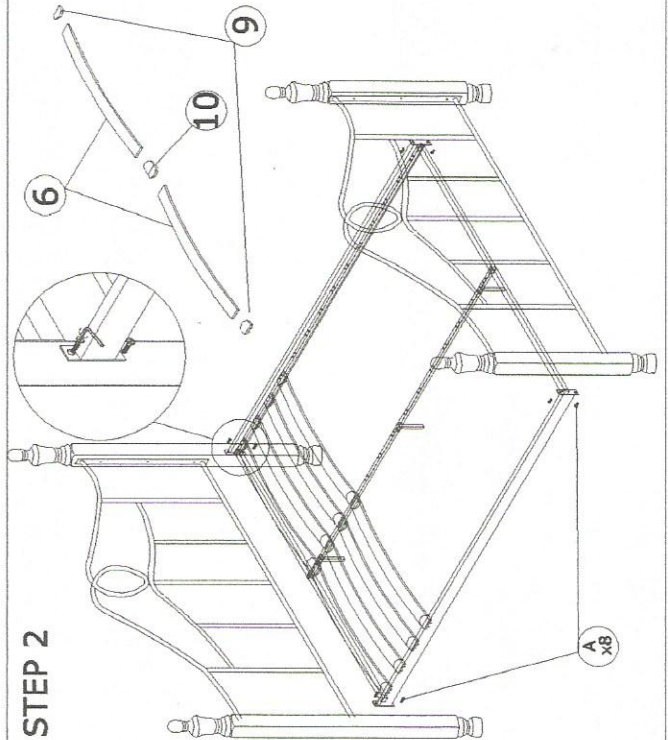
### STEP 1



### STEP 2



### STEP 2



### FULLY SET UP

