

MODEL: TS MARIA

# ASSEMBLY INSTRUCTION

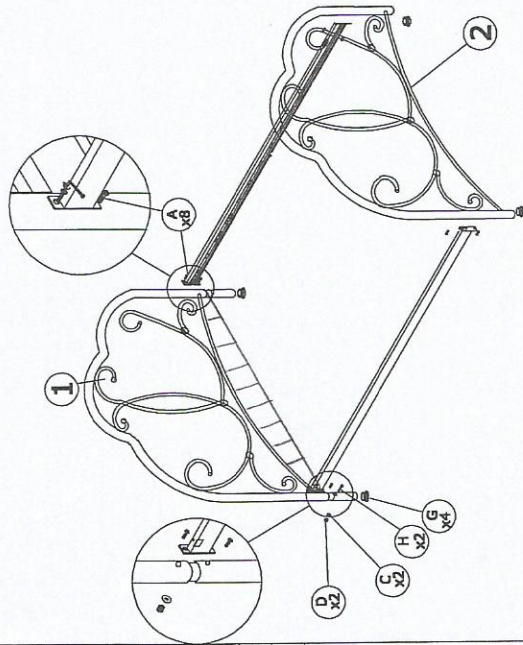
DESCRIPTION : *QUEEN BED*



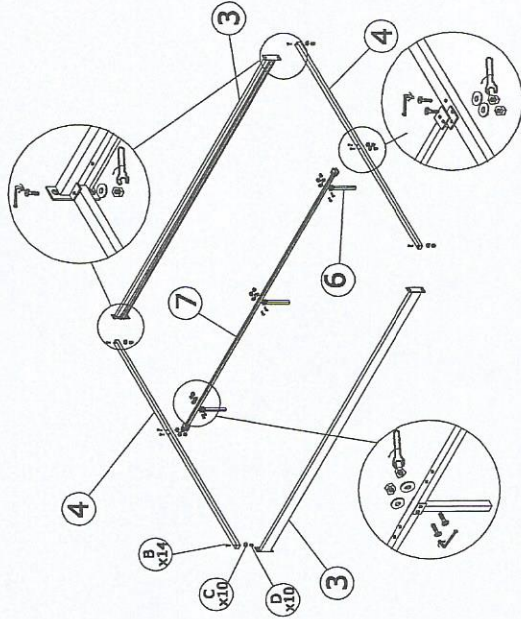
## PARTS LIST

NO	DESCRIPTION	QTY
1	Headboard	1 pcs
2	Footboard	1 pcs
3	Side Rail	2 pcs
4	End Bar	2 pcs
5	Bendwood slat	26 pcs
6	Middle Support Leg	3 pcs
7	Middle Support	1 pcs
8	End Cap	26 pcs
9	Middle Cap	13 pcs

## STEP 1



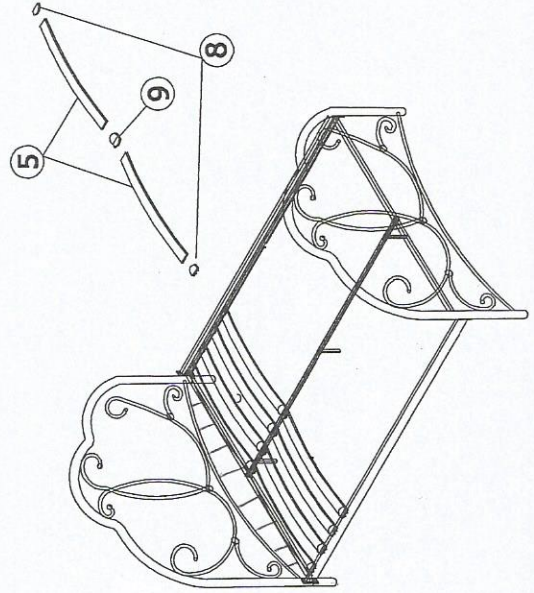
## STEP 2



## HARDWARE LIST

NO	DESCRIPTION	QTY
A	JCBC M6 x 20	6 pcs
B	JCBC M6 x 35	14 pcs
C	M6 WASHER	12 pcs
D	M6 HEX NUT	12 pcs
E	ALLEN KEY	1 pcs
F	SPANAR M10	1 pcs
G	38mm ROUND CAP	4 pcs
H	JCBC M6 x 50	2 pcs

## STEP 3



## FULLY SET UP

