

MODEL:

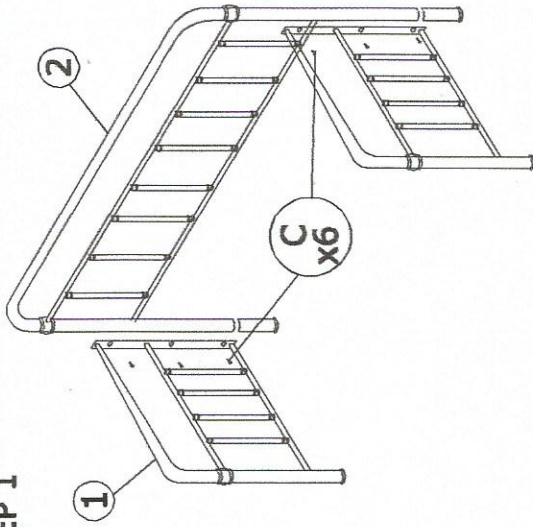
ASSEMBLY INSTRUCTION

DESCRIPTION : ELSIE DAY BED

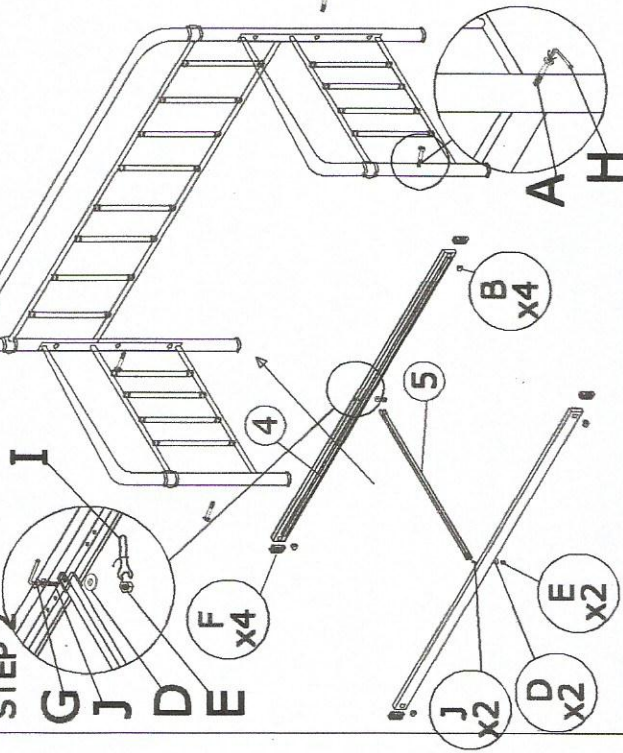
PARTS LIST

NO	DESCRIPTION	QTY
1	Side Panel	2 pcs
2	Back Rest	1 pcs
3	Bendwood Slat	11 pcs
4	Side Rail	2 pcs
5	Middle Bar	1 pcs
6	End Cap	22 pcs

STEP 1



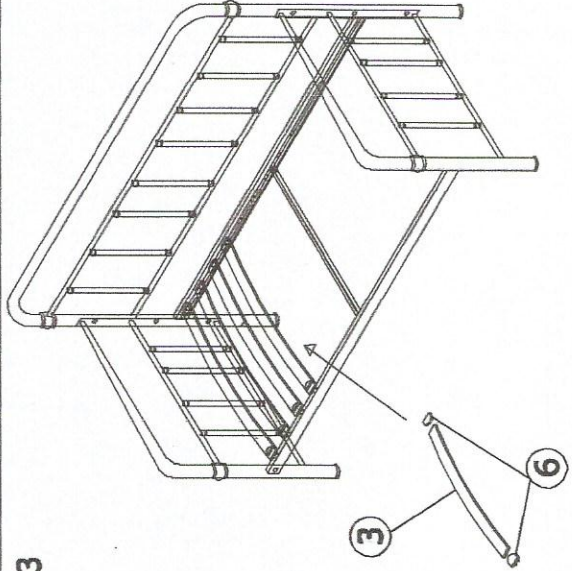
STEP 2



HARDWARE LIST

NO	DESCRIPTION	QTY
A	JCBC M8 x 80	4 pcs
B	SQ NUT M8	4 pcs
C	JCBC M6 x 20	6 pcs
D	M6 WASHER	2 pcs
E	M6 HEX NUT	2 pcs
F	25*50MM CAP	4 pcs
G	ALLEN KEY M4	1 pcs
H	ALLEN KEY M5	1 pcs
I	SPANAR	1 pcs
J	JCBC M6 x 40	2 pcs
K	1.5 ROUND CAP	4 pcs

STEP 3



FULLY SET UP

