

MODEL:

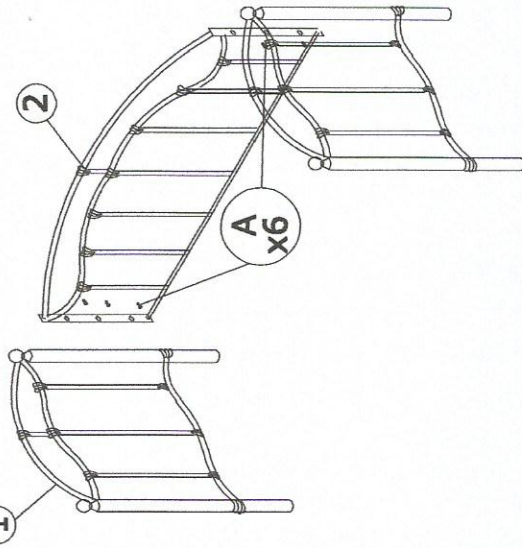
ASSEMBLY INSTRUCTION

DESCRIPTION : DAHLIA DAY BED

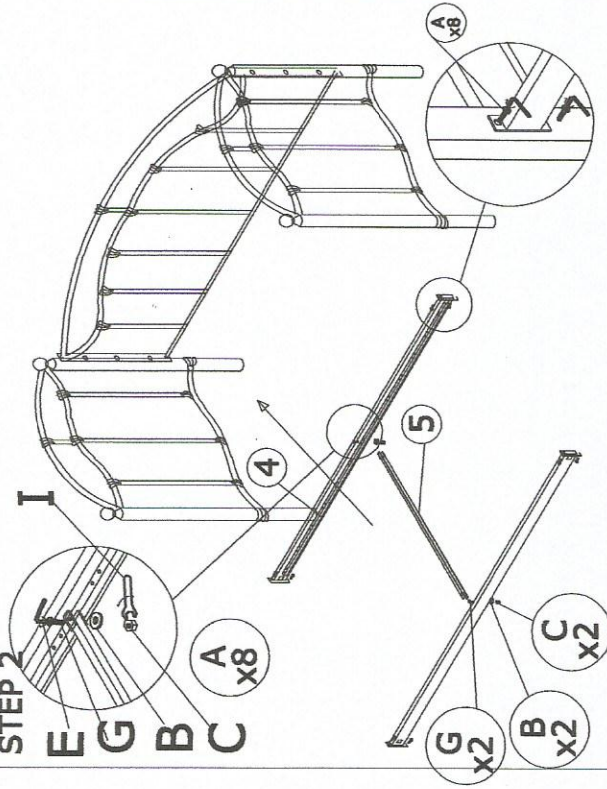
PARTS LIST

NO	DESCRIPTION	QTY
1	Side Panel	2 pcs
2	Back Rest	1 pcs
3	Bendwood Slat	11 pcs
4	Side Rail	2 pcs
5	Middle Bar	1 pcs
6	End Cap	22 pcs

STEP 1



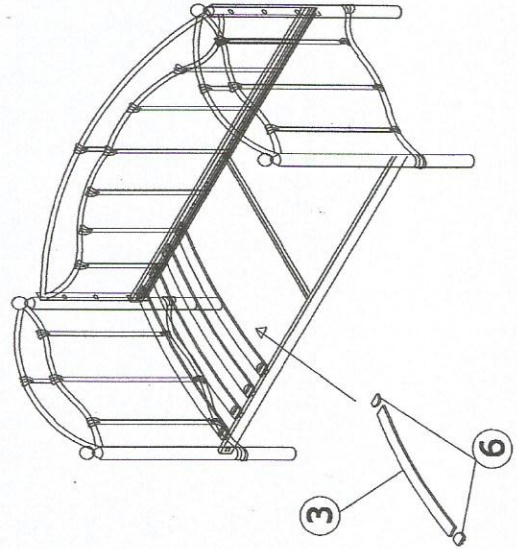
STEP 2



HARDWARE LIST

NO	DESCRIPTION	QTY
A	JCBC M6 x 20	12 pcs
B	M6 WASHER	2 pcs
C	M6 HEX NUT	2 pcs
E	ALLEN KEY M4	1 pcs
F	SPANAR	1 pcs
G	JCBC M6 x 40	2 pcs
H	1.5 ROUND CAP	4 pcs

STEP 3



FULLY SET UP

