

ASSEMBLY INSTRUCTION

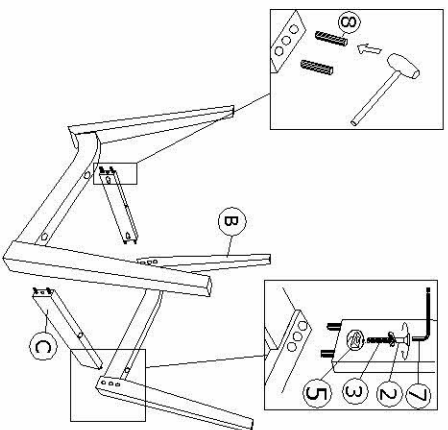
DINING CHAIR

PRODUCT DESCRIPTION

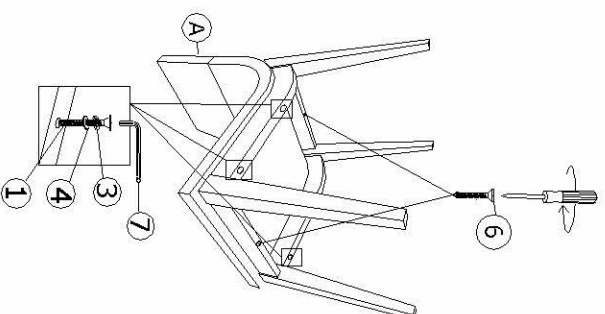
Read instruction carefully. Remove all wrapping material, staples and straps from the carton. See Hardware and Furniture Part List for guidance. Be sure you have all parts before you start assembling. Place all wooden furniture part a clean and flat soft surface, such as carpet or rug to prevent from being scratched.

CAUTION :

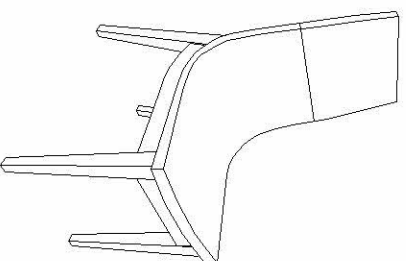
KEEP ALL HARDWARE PART OUT OF REACH OF CHILDREN.



STEP 1



STEP 2



COMPLETED CHAIR ASSEMBLY

HARDWARE LIST

ITEM	DESCRIPTION	QTY
1	JCCA SCREW M6 X 60MM	4 PCS
2	JCCA SCREW M6 X 50MM	4 PCS
3	SPRING WASHER M6	8 PCS
4	FLAT WASHER	4 PCS
5	SCREW PIN	4 PCS
6	CSK CB SCREW	2 PCS
7	ALLEN KEY (BALL SHAPE)	1 PC
8	WOOD DOWEL	8 PCS

PART LIST

ITEM	DESCRIPTION	QTY
A	BACK REST	1 PC
B	CHAIR LEG	2 SET
C	SUPPORT BAR	2 PCS