

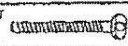
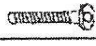
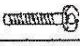


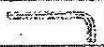
24091583

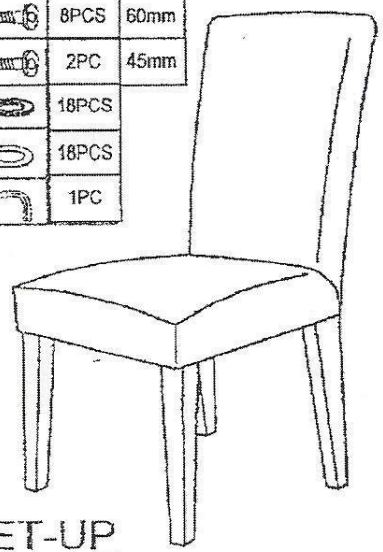
ASSEMBLY INSTRUCTIONS

MODEL: SUSAN DINING CHAIR

IMPORTANT NOTE:
 * PLACE ALL WOODEN PARTS ON A CLEAN AND SMOOTH SURFACE SUCH AS A RUG OR CARPET TO AVOID THE PARTS FROM BEING SCRATCHED.
 * BEFORE YOU BEGIN, KINDLY FOLLOW THE ASSEMBLY INSTRUCTIONS STEP BY STEP.
 * DO NOT TIGHTEN ALL SCREWS UNTIL THE CHAIR IS FULLY SET-UP.

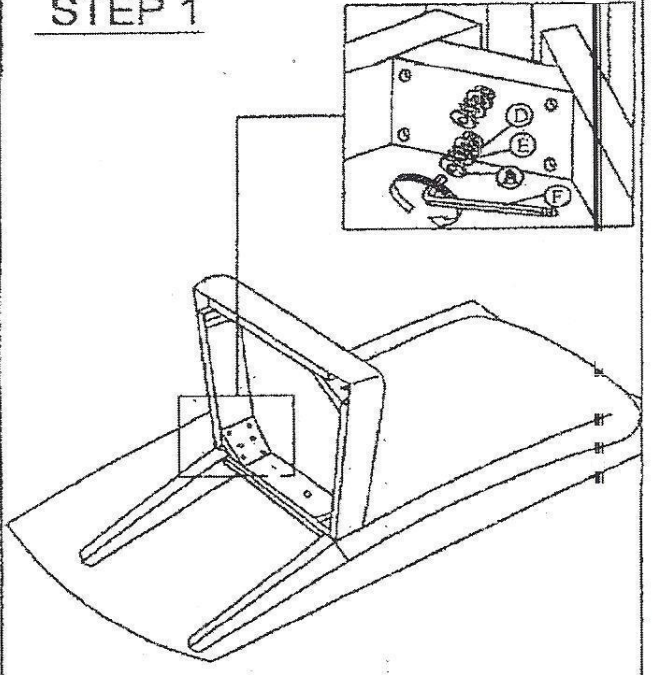
HARDWARE LIST (2SETS)

NO	DESCRIPTION	QTY	SIZE
A	JCBC BOLT (LONG) 	8PCS	80mm
B	JCBC BOLT (MEDIUM) 	8PCS	60mm
C	JCBC BOLT (SHORT) 	2PC	45mm
D	FLAT WASHER 	18PCS	
E	SPRING WASHER 	18PCS	
F	ALLEN KEY 	1PC	

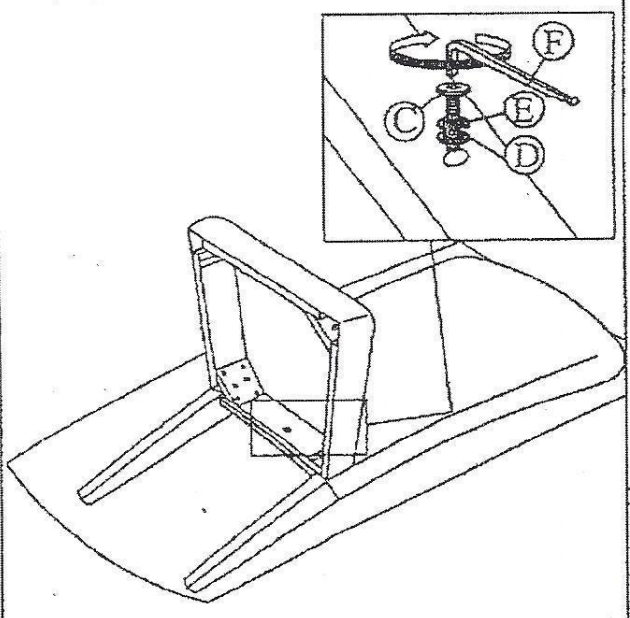


FULLY SET-UP

STEP 1



STEP 2



STEP 3

