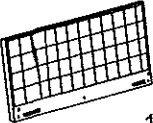




















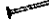
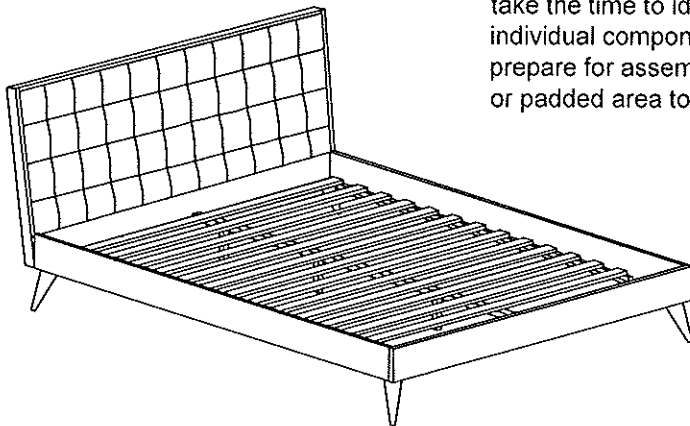


ASSEMBLY INSTRUCTION

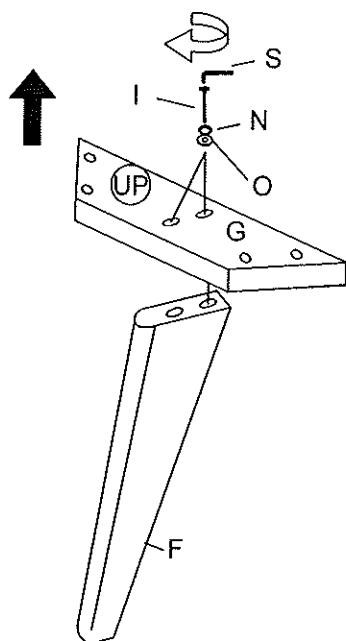
SOLOMAN TWIN BED / FULL BED / QUEEN BED / EASTERN KING BED

| | | | |
|---|---|---|---|
| A HEADBOARD PANEL  1PC | B FOOTBOARD PANEL  1PC | C SIDE RAILS  2PCS | D CENTER SUPPORT  1PC |
| E SUPPORT LEG  3PCS | F BED LEG  4PCS | G BED LEG SUPPORT  4PCS | H BED SLATS  1SET (13PCS) |
| I JCBB M8 X 50MM  8PCS | J JCBB M8 X 25MM  8PCS | K JCBC M6 X 50MM  28PCS | L JCBC M6 X 15MM  4PCS |
| M JCBC M6 X 70MM  3PCS | N SPRING WASHER M8  16PCS | O FLAT WASHER M8  16PCS | P SPRING WASHER M6  16PCS |
| Q FLAT WASHER M6  16PCS | R ALLEN KEY M4  1PC | S ALLEN KEY M5  1PC | T ADJUSTER M6  3PCS |
| U L/BRACKET  2PCS | V CSK M4 X 32MM  18PCS | | |

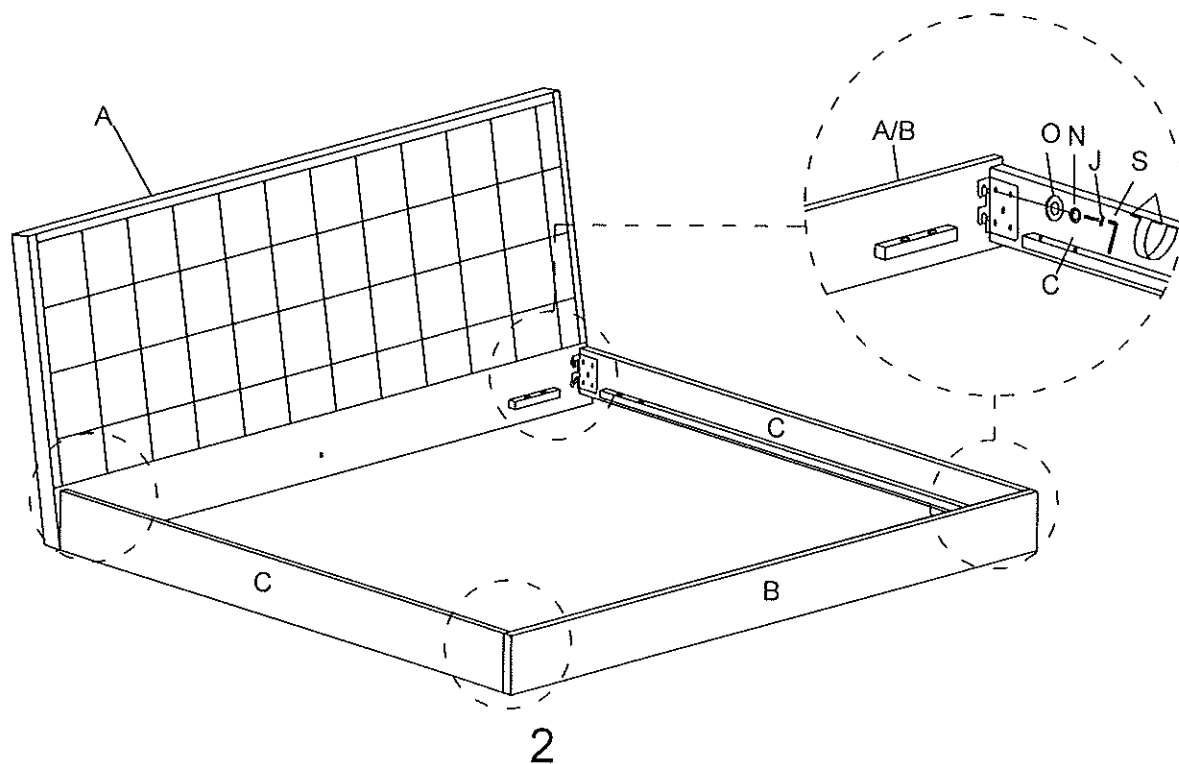


This page lists all the contents included in the box. Please take the time to identify the hardware as well as the individual components to this product. As you unpack and prepare for assembly, place the contents on the carpeted or padded area to protect them from damage.

- 1** Insert JCBB M8 X 50mm (I) Flat Washer M8 (O) Spring Washer M8 (N) to Bed Leg Support (G) connection Bed Leg (F) by Allen Key M5 (S).
Use hardware pack "STEP 1".

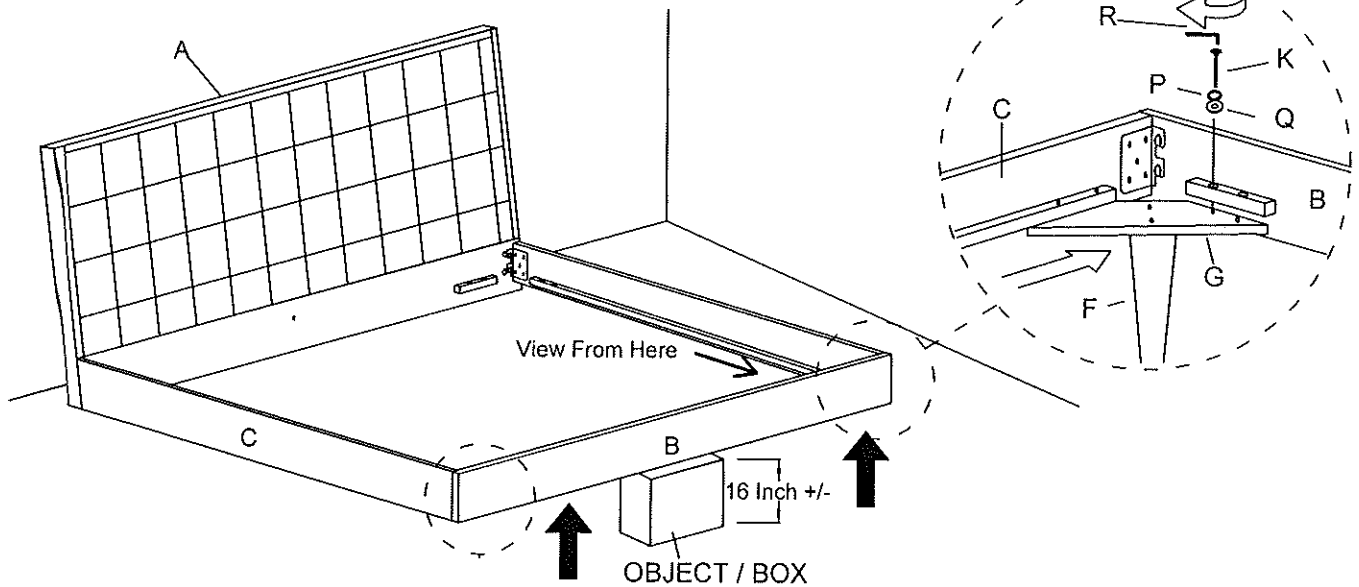


- 2** Insert JCBB M8 X 25mm (J) Flat Washer M8 (O) Spring Washer M8 (N) to Side Rail (C) connection Hb/Fb panel (A/B) by Allen Key M5 (S).
Use hardware pack "STEP 2".
For Allen Key M5 (S) please took from hardware pack "STEP 1".



- 3** Level up the Footboard Panel (B) by putting on object/box to fix the Bed Leg (F) with the Bed Leg Support (G). Insert JCBC M6 X 50mm (K) Flat Washer M6 (Q) Spring Washer M6 (P) to Footboard panel (B) connection Bed Leg Panel by Allen Key M4 (R).

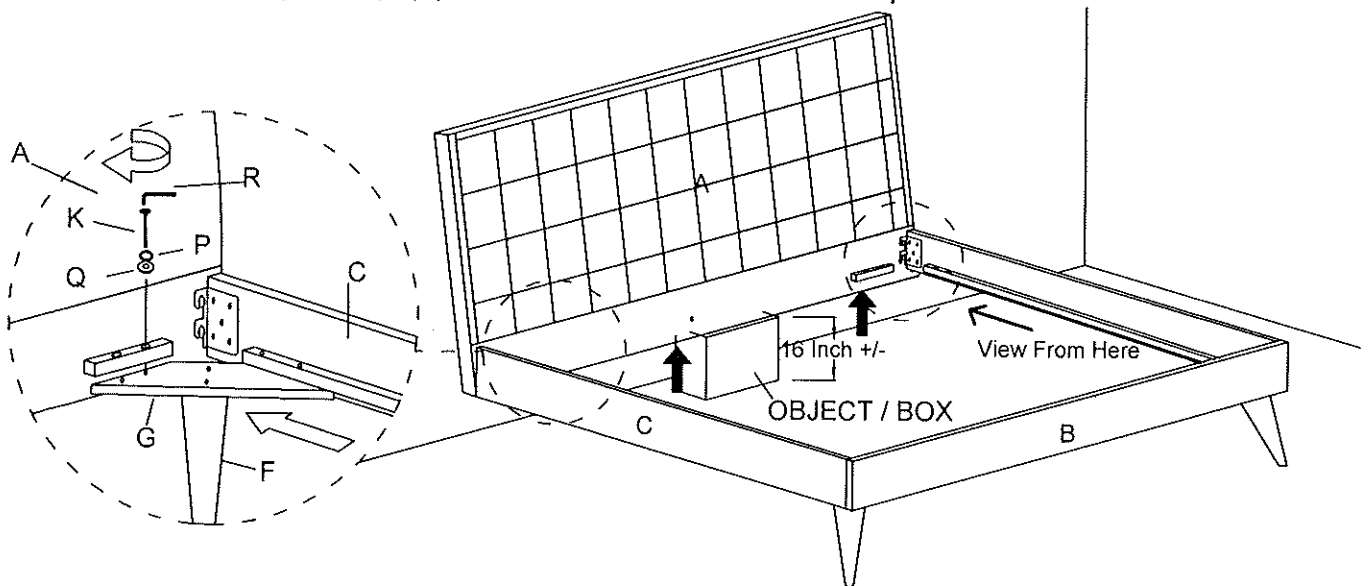
Use hardware pack "STEP 3 & 4".



- 4** Level up the Headboard Panel (A) by putting on object/box to fix the Bed Leg (F) with the Bed Leg Support (G). Insert JCBC M6 X 50mm (K) Flat Washer M6 (Q) Spring Washer M6 (P) to Headboard panel (A) connection Bed Leg Panel by Allen Key M4 (R).

Use hardware pack "STEP 3 & 4".

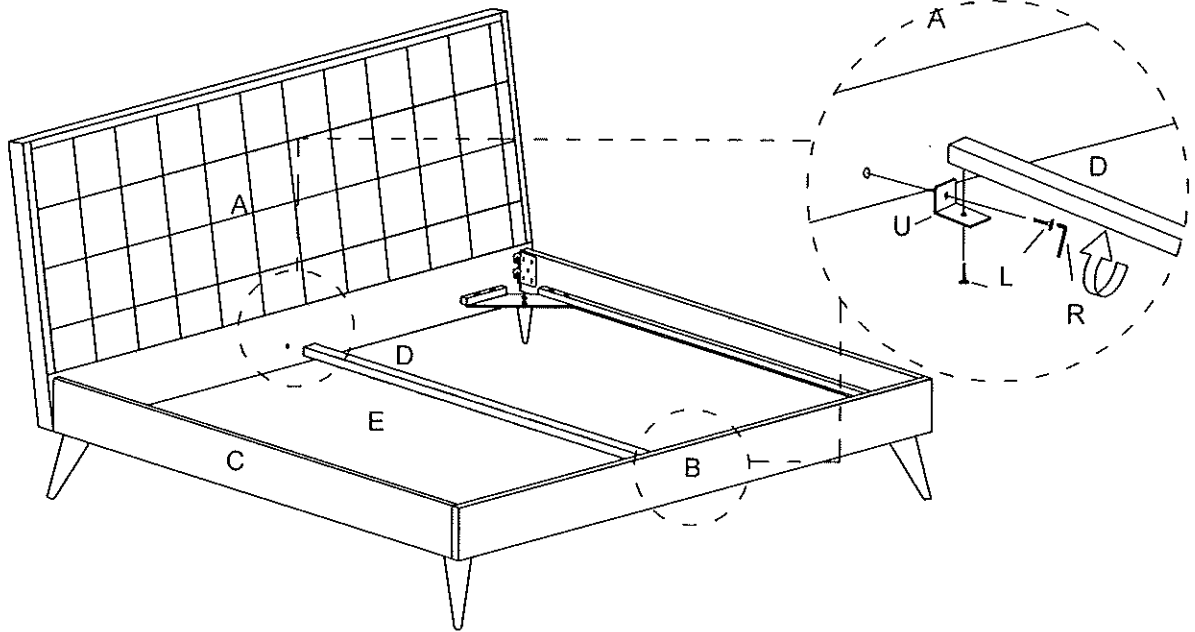
For Allen Key M4 (R) please took from hardware pack "STEP 3 & 4".



5 Insert JCBC M6 X 15mm (L) to L/Bracket (U) to connection Center Support (D) by Allen Key M4 (R).

Use hardware pack "STEP 5".

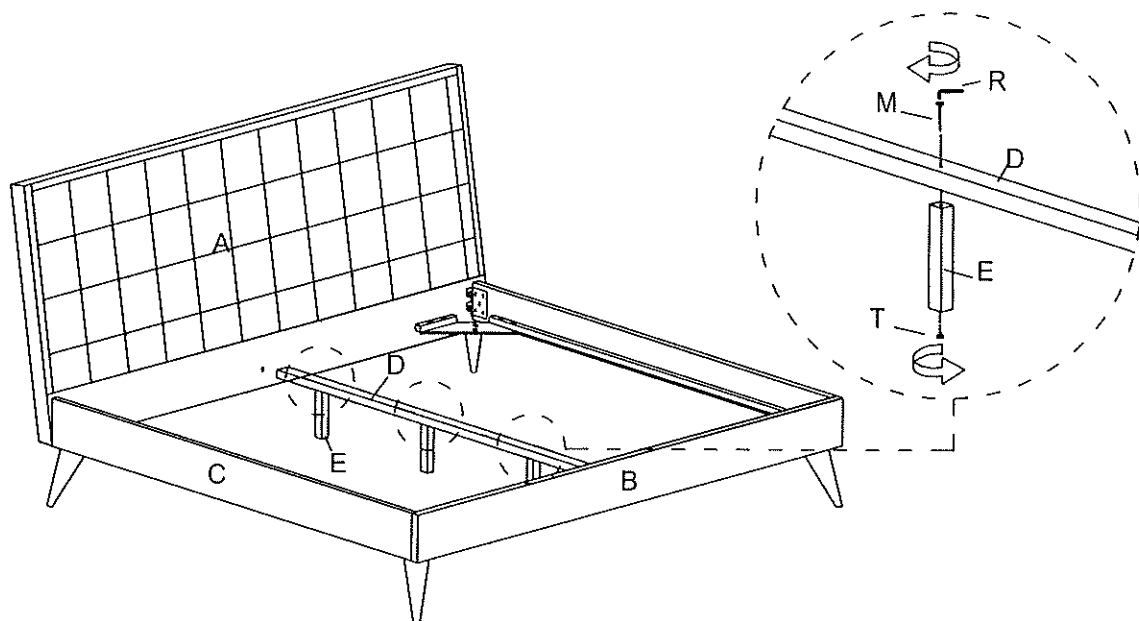
For Allen Key M4 (R) please took from hardware pack "STEP 3 & 4".



6 Insert JCBC M6 X 70mm (M) into the Center Support (D) by Allen Key M4 (R) into the Support Leg (E), and turn the Adjuster M6 (T) into the bottom of the Support Leg (E).

Use hardware pack "STEP 6".

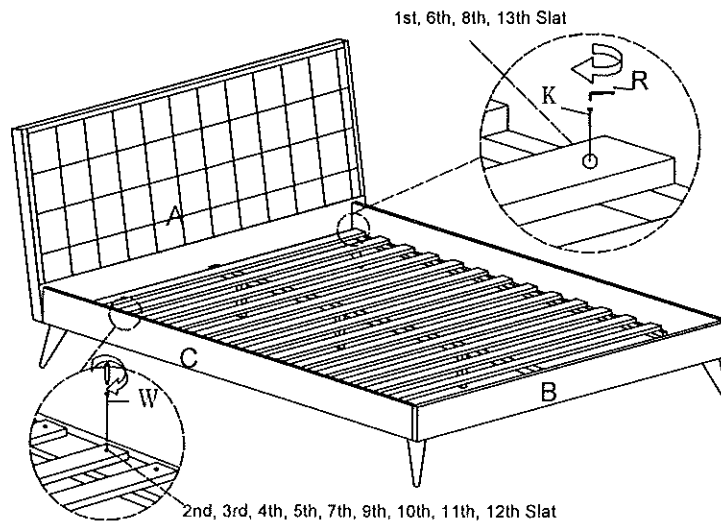
For Allen Key M4 (R) please took from hardware pack "STEP 3 & 4".



7 Insert the JCBC M6 X 50mm (K) to 1st, 6th, 8th, 13th Bed Slat (H) connection Side Rail Cleat(C) and Insert CSK M4 X 32mm (V) to 2nd, 3rd, 4th, 5th, 7th, 9th, 10th, 11th, 12th Bed slat (H) connection Side Rail Cleat (C).

Use hardware pack "STEP 7".

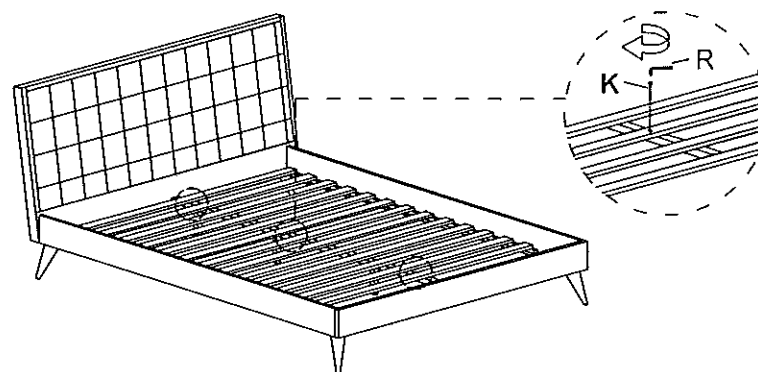
For Allen Key M4 (R) please took from hardware pack "STEP 3 & 4".



8 Insert JCBC M6 X 50mm (K) to Bed slat (H) connection Center Support (D) by Allen Key M4 (R).

Use hardware pack "STEP 8".

For Allen Key M4 (R) please took from hardware pack "STEP 3 & 4".



Cleaning & Care

Treat surface with care. Surface is resistant to scratches but is not scratch resistant. Clean surfaces with a dry or damp soft cloth. Do not use abrasive cleaners. Hardware may loosen over time. Periodically check that all connections are tight.