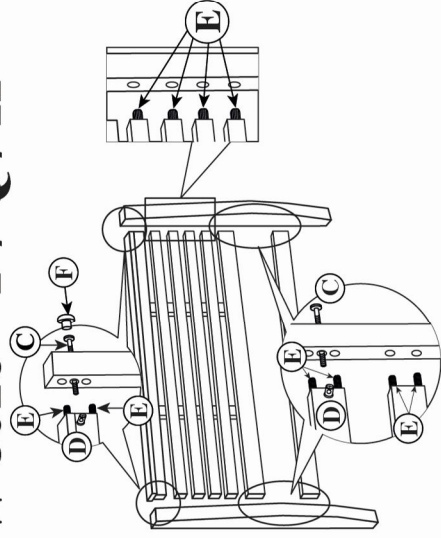


# SW 8016 - F / Q / K



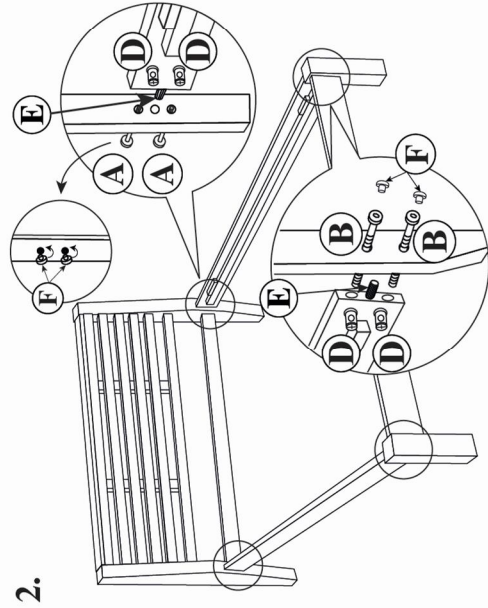
1. Attach the headboard post (P1) to the headboard (P2).

You will need to use hardware:

- C = 4pcs
- D = 4pcs
- E = 20pcs
- F = 4pcs

## WARNING!!

- Remove hardware from box and sort by size.
- Please check to see that hardware and parts are present prior start of assembly.
- Please follow attached instruction in the same sequence numbered to ensure fast and easy assembly.
- Do not use this bed if any part is broken, torn or missing.
- The assembly of this product requires two people.
- Do not use any power tools as this may damage the frame and will invalidate any claim.

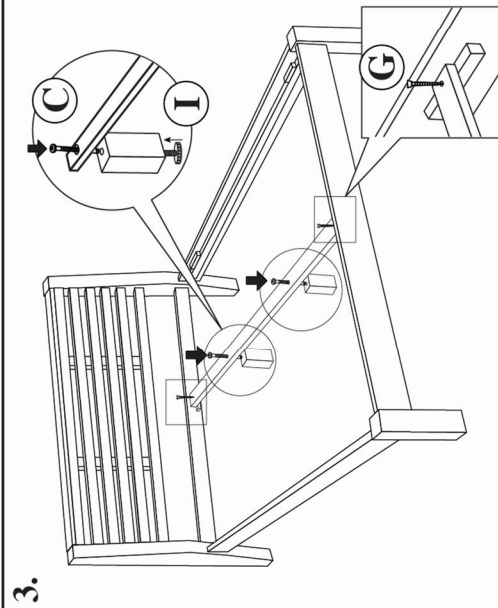


2. Attach the side rail (P3) to the headboard (P2) using hardware :

- A = 4pcs
- D = 4pcs
- E = 2pcs
- F = 4pcs

Attach the side rail (P3) to the footboard (P4) using hardware :

- B = 4pcs
- D = 4pcs
- E = 2pcs
- F = 4pcs



3. Fix the adjuster (I) to the support leg (P6) using hardware :

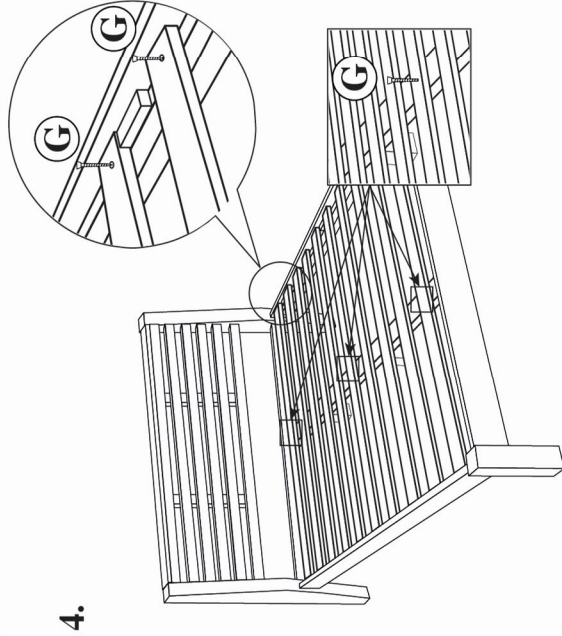
- I = 2pcs

Attach the support legs (P6) to the centre rail (P5) using hardware :

- C = 2pcs

Attach the centre rail (P5) to the headboard (P2) and footboard (P4) using hardware :

- G = 2pcs








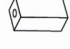

4. Lay the slats (P7) between the side rail (P3) using hardware :

- G = 28pcs (F) or
- G = 30pcs (Q/K)





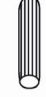
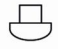



Attach the slats (P7) to the centre rail (P5) using hardware :

- G = 3pcs

## PART LIST

P1		Headboard Post = 2pcs
P2		= 1pcs
P3		= 2pcs
P4		= 1pcs
P5		= 1pcs
P6		= 2pcs
P7		Bed Slats (F) = 14pcs Bed Slats (Q/K) = 15pcs

## HARDWARE LIST

A		M6 x 100mm JCBC	4pcs
B		M6 x 90mm JCBC	4pcs
C		M6 x 50mm JCBC	6pcs
D		BARREL NUT	12pcs
E		Ø8 x 35mm WOOD DOWEL	24pcs
F		WOODEN PLUG	12pcs
G		M4 X 25mm SCREW (F) M4 X 25mm SCREW (Q/K)	33pcs 35pcs
H		ALLEN KEY M4	1pcs
I		ADJUSTER	2pcs

