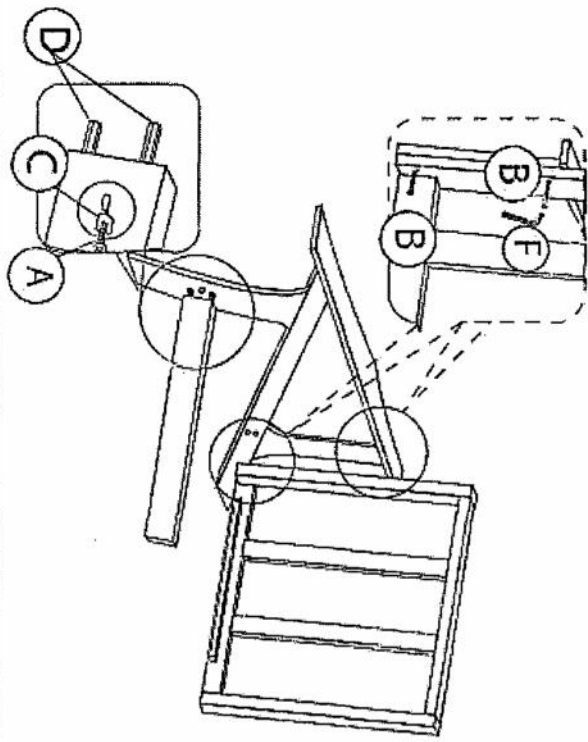


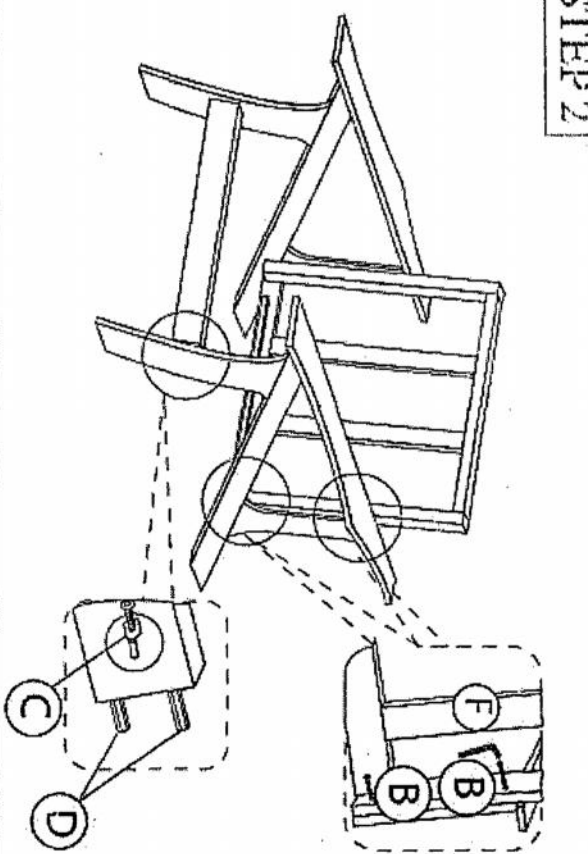
ASSEMBLY INSTRUCTION

When doing assembly, kindly follow this Assembly Instruction step by step. Also, please do NOT tighten-up screws until the table is set up BALANCE!

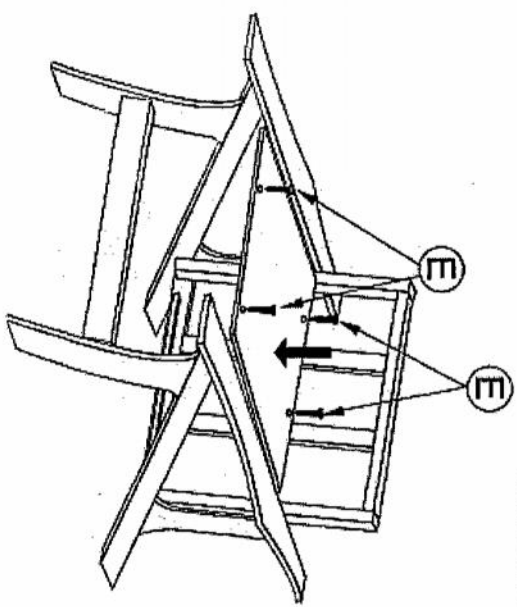
**MODEL
SW 5236**



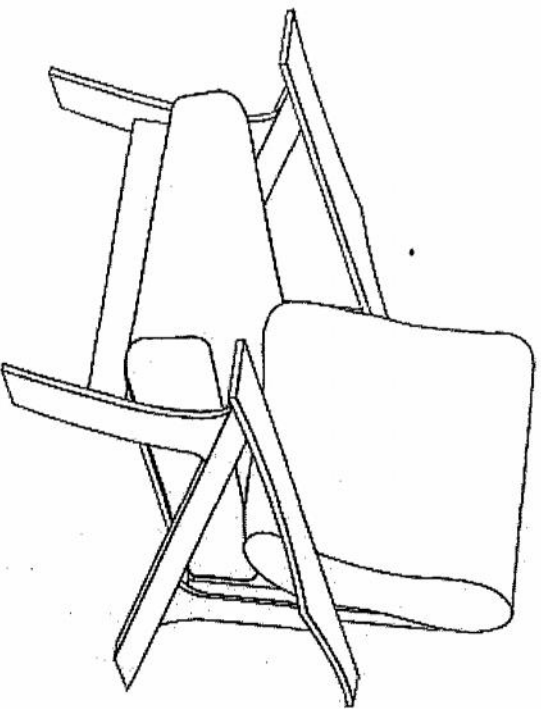
STEP 1



STEP 2









STEP 3



FULLY SET-UP

HARDWARE LIST

NO	DESCRIPTION	QTY
A	M6 x 50mm JCBC 	2 pcs
B	M6 x 40mm JCBC 	4 pcs
C	U WASHER M6x25 	2 pcs
D	WOOD DAWER 8x35mm 	6 pcs
E	WOOD SCREW M4x25 	4 pcs
F	ALLEN KEY 	1 pc