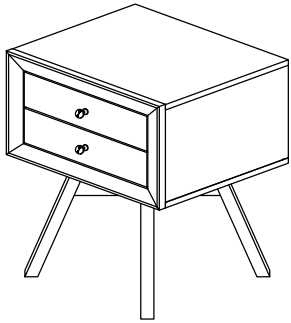


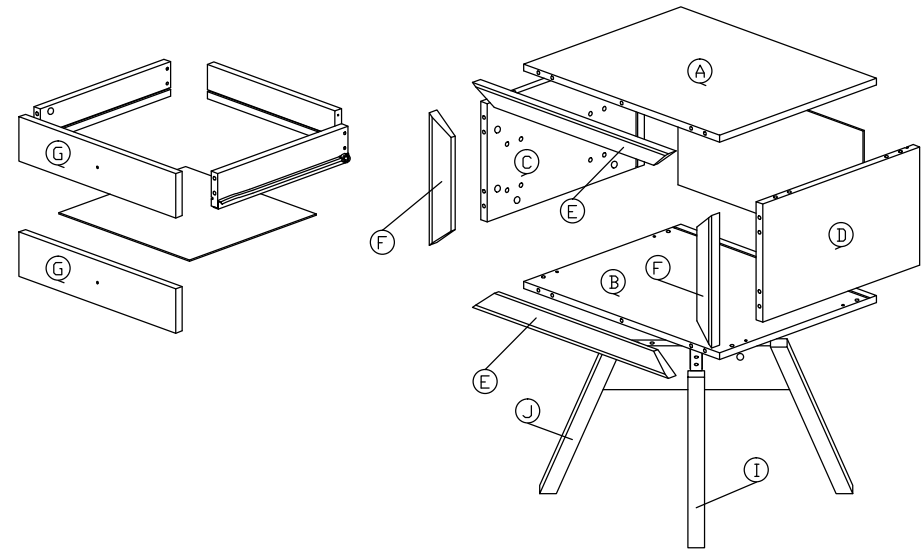
Assembly Instruction

Model : ST - 005

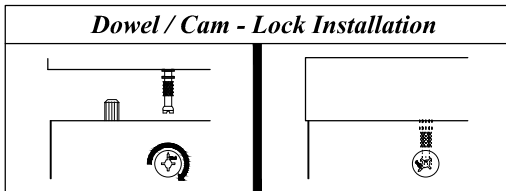


Hardware List			
No.	SHAPE	DESCRIPTION	Qty.
1		8x25mm Wood Dowel	26Pcs
2		M3.5x16mm Screw	29Pcs
3		M4x38mm Screw	8Pcs
4		15MM Titus Mini Fix	24Sets
5		15mm Minifix Cap	4Pcs
6		Drawer Slide 12" (300mm)	2Sets
7		PVC Drawer Pin	8Pcs
8		Handle (2293) M4x20mm Handle Screw	2Sets
9		Nail Leg	4Pcs
10		Z Bracket	2Pcs
11		Metal Plate	1Pc

Part List

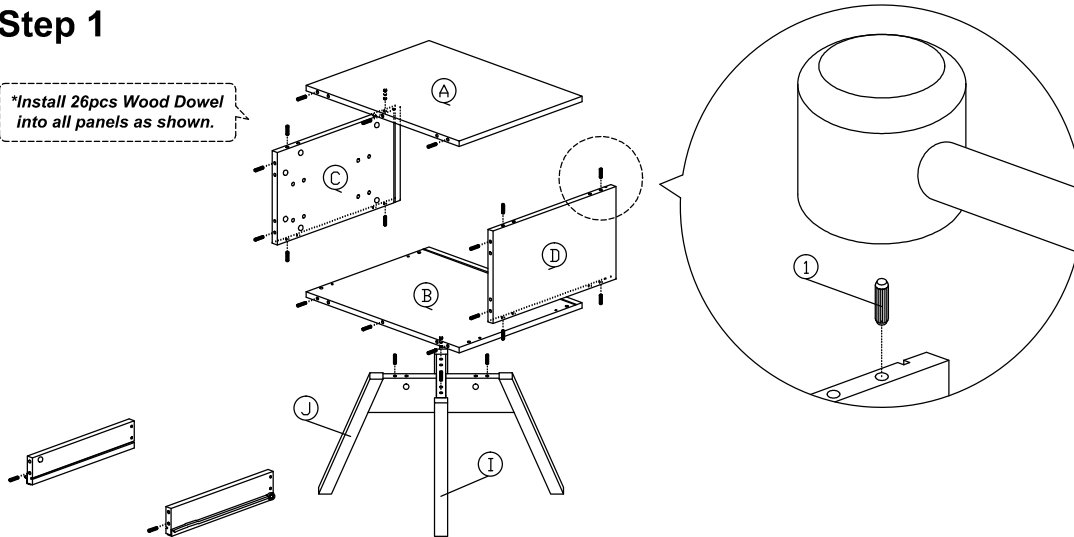


Dowel / Cam - Lock Installation



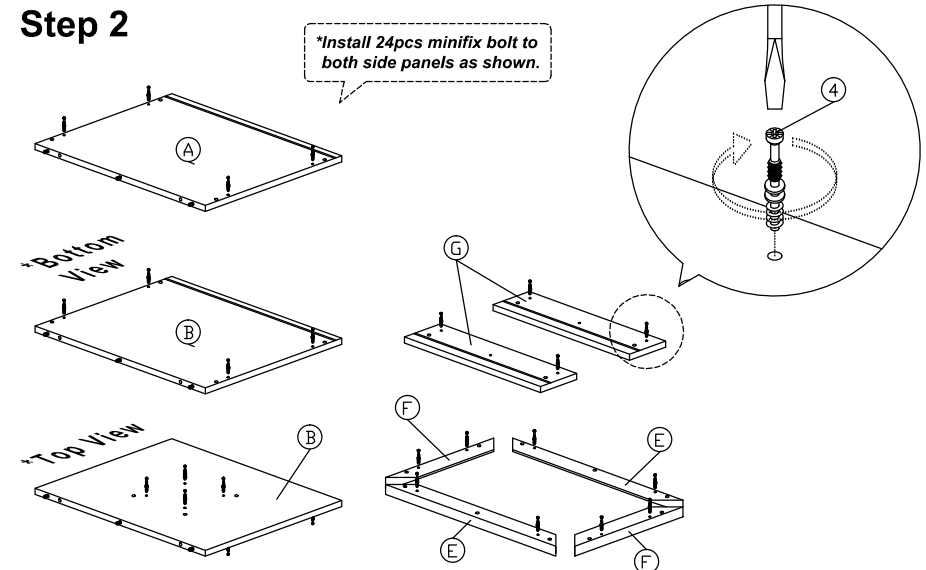
Step 1

*Install 26pcs Wood Dowel into all panels as shown.



Step 2

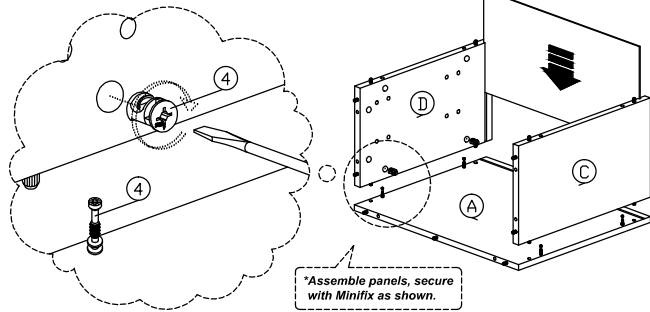
*Install 24pcs minifix bolt to both side panels as shown.



Assembly Instruction

Step 3

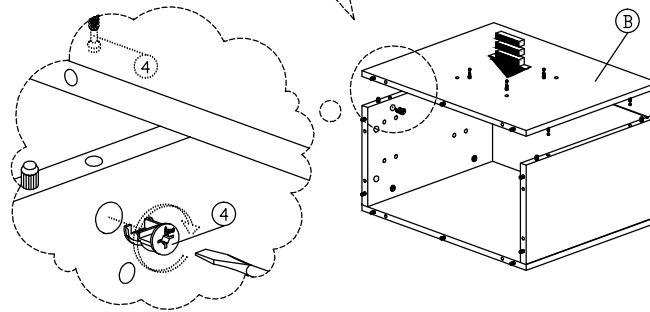
*Insert back panel as shown below.



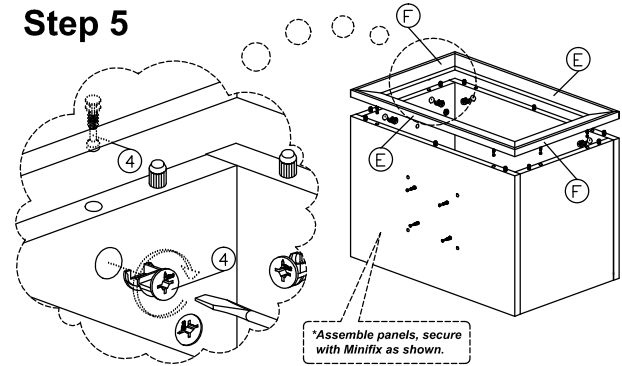
*Assemble panels, secure with Minifix as shown.

Step 4

*Place top, secure with Minifix as shown.



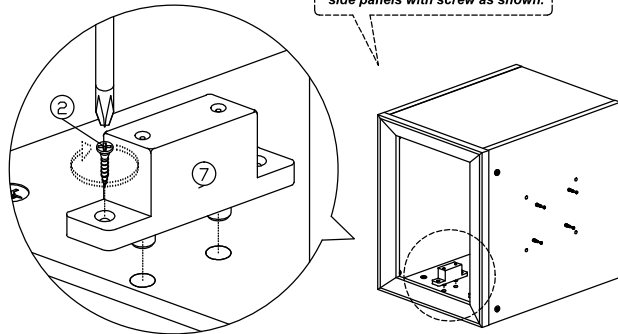
Step 5



*Assemble panels, secure with Minifix as shown.

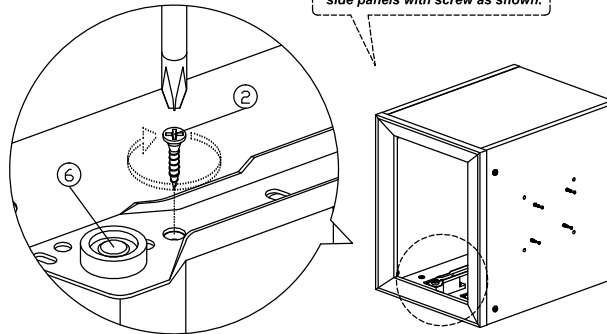
Step 6

*Install 8pcs Drawer Pin to both side panels with screw as shown.



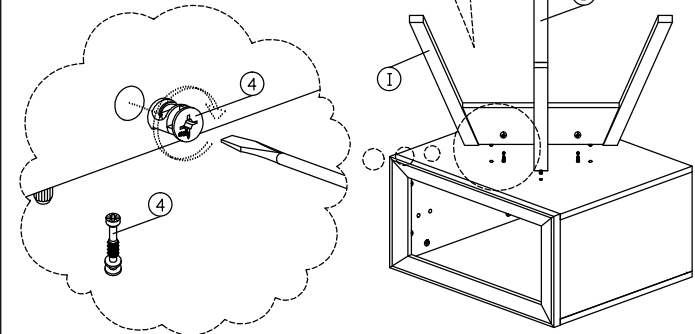
Step 7

*Install 4pcs Drawer Slide to both side panels with screw as shown.



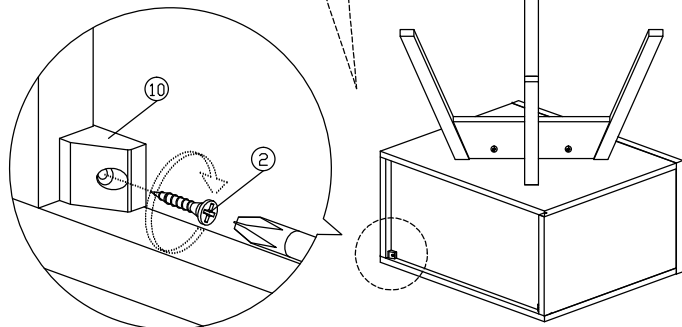
Step 8

*Assemble panels, secure with Minifix as shown.



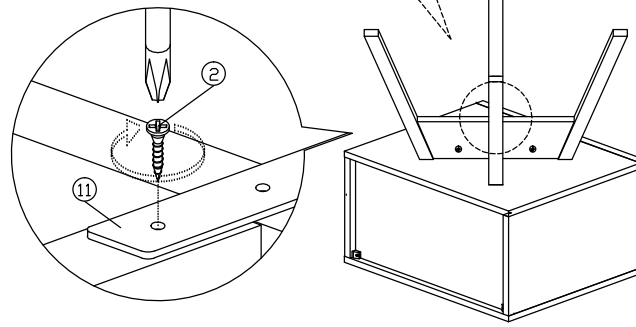
Step 9

*Install 2pcs Z Bracket with screw as shown.



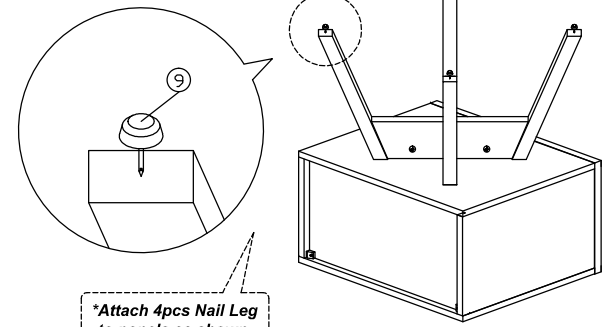
Step 10

*Install Metal Plate with screw as shown.



Step 11

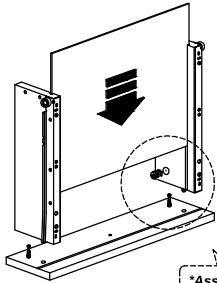
*Attach 4pcs Nail Leg to panels as shown.



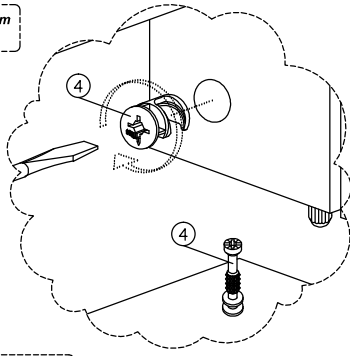
Assembly Instruction

Step 12

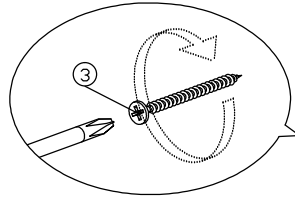
**Insert drawer bottom as shown.*



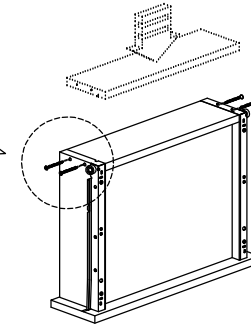
**Assemble panels, secure with Minifix as shown.*



Step 13

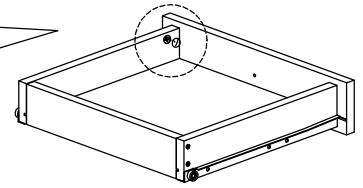
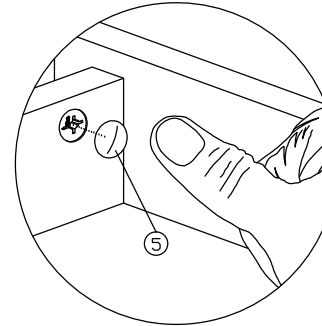


**Insert drawer back, secure with screw as shown.*



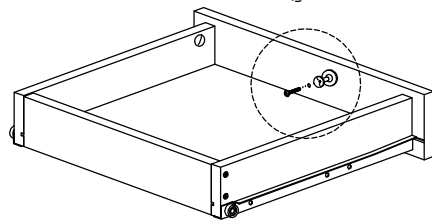
Step 14

Attach Minifix Cap as shown.



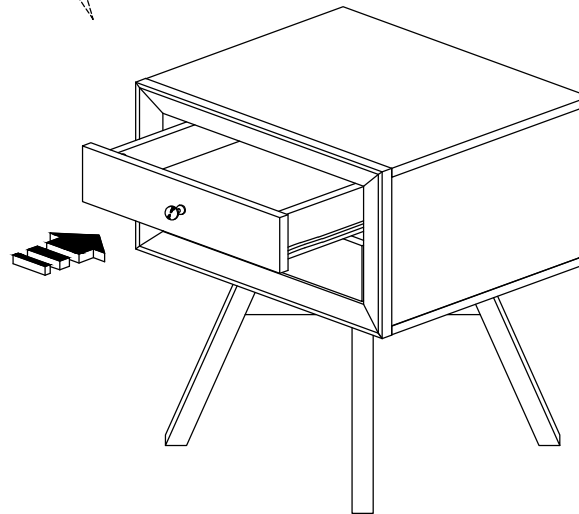
Step 15

**Install Handle with screw as shown.*



Step 16

**Place drawer into cabinet as shown.*



Complete

