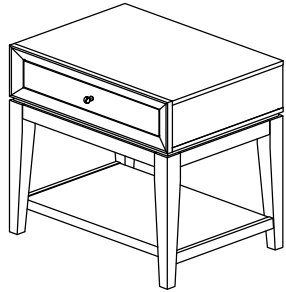
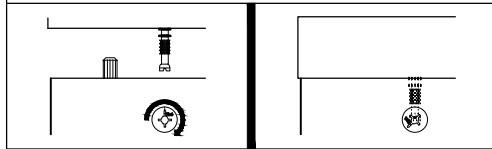


Assembly Instruction

Model : ST - 003



Dowel / Cam - Lock Installation

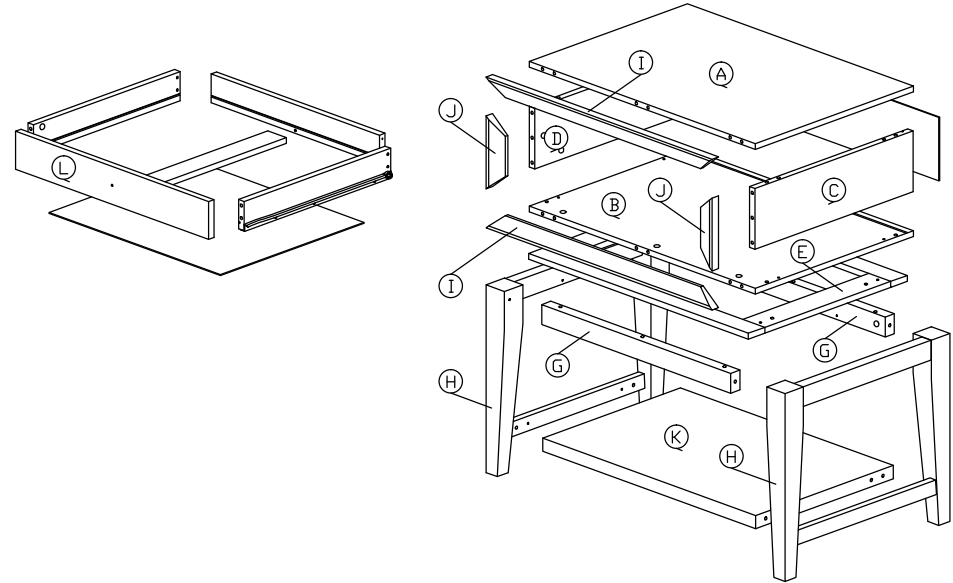


Hardware List

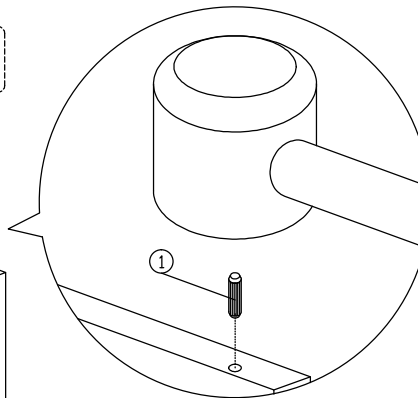
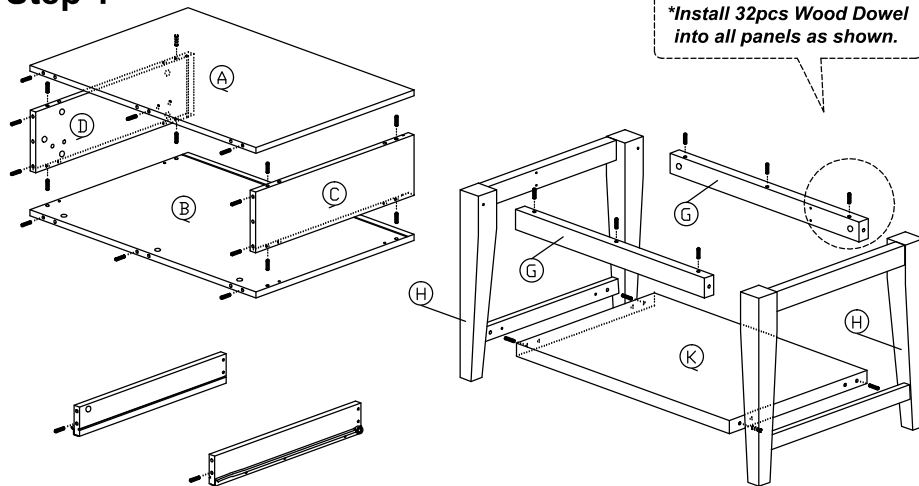
No.	SHAPE	DESCRIPTION	Qty.
-----	-------	-------------	------

1		8x25mm Wood Dowel	34Pcs
2		M3.5x16mm Screw	26Pcs
3		M4x30mm Screw	4Pcs
4		M4x38mm Screw	5Pcs
5		15MM Titus Mini Fix	27Sets
6		15mm Minifix Cap	2Pcs
7		Drawer Slide 16" (400mm)	1Set
8		PVC Drawer Pin	4Pcs
9		Handle (2293) M4x20mm Handle Screw	1Sets
10		Nail Leg	4Pcs
11		Z Bracket	2Pcs
12		L Bracket	6Pcs
13		Retangular Bed Bracket	2Pcs
14		TP 10#x5/8" Screw	8Pcs

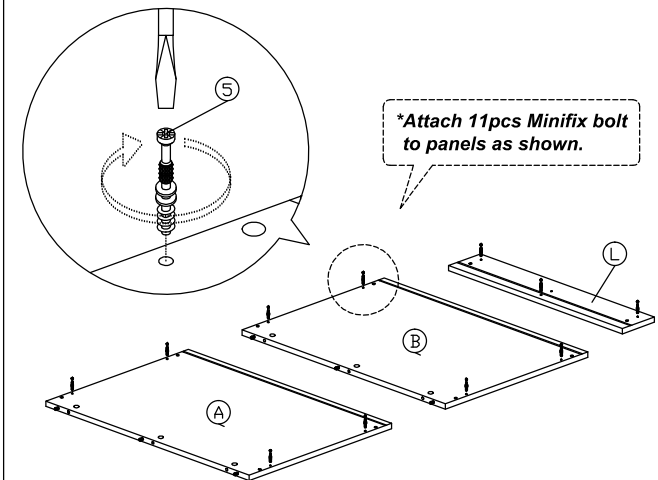
Part List



Step 1

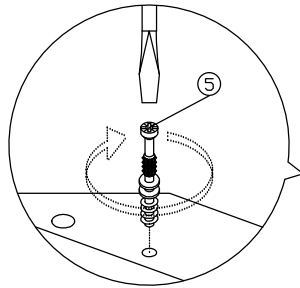


Step 2

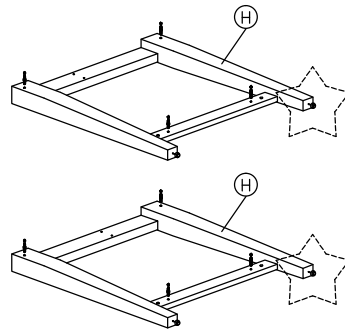
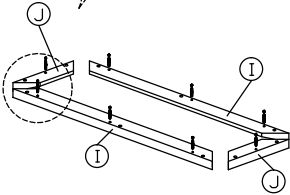


Assembly Instruction

Step 3



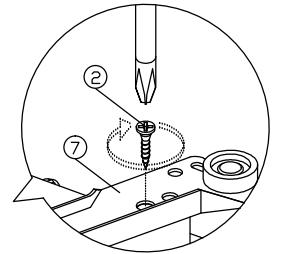
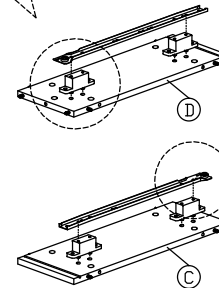
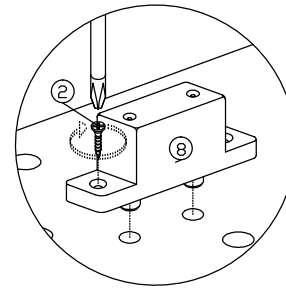
*Attach 16pcs Minifix bolt to panels as shown.



*Attach 4pcs Nail Leg to both side panels as shown.

Step 4

*Install 4pcs Drawer Pin to both side panels with screw as shown.

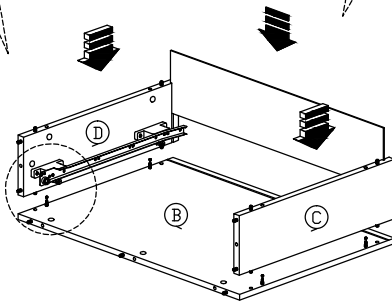
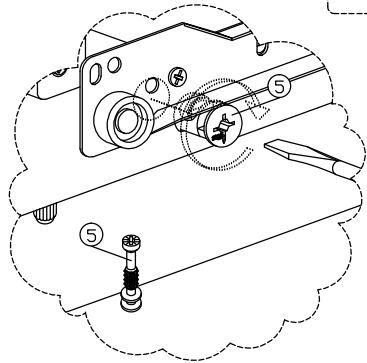


*Install Drawer Slide to both side panels as shown.

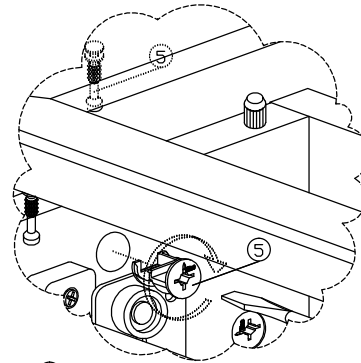
Step 5

*Assemble panels, secure with Minifix as shown.

*Insert back panel as shown below.

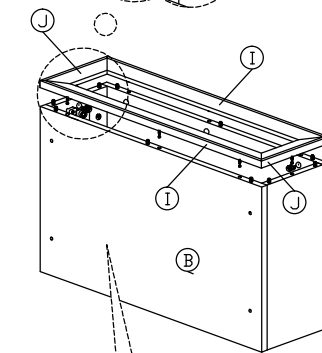
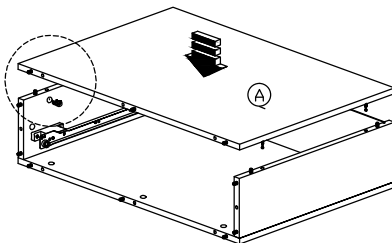
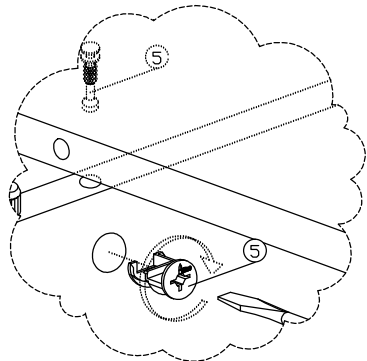


Step 7



Step 6

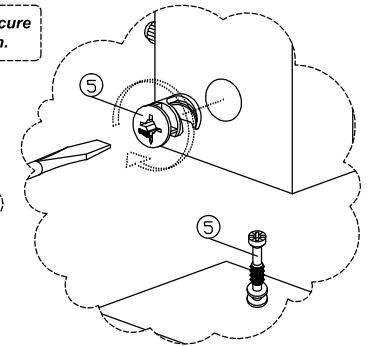
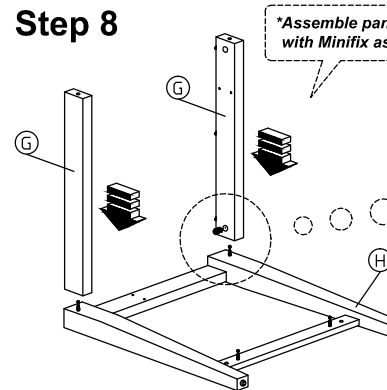
*Place top panel, secure with Minifix as shown.



*Place frame, secure with Minifix as shown.

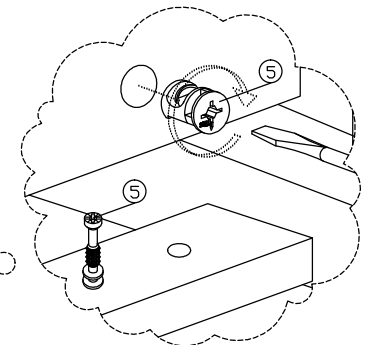
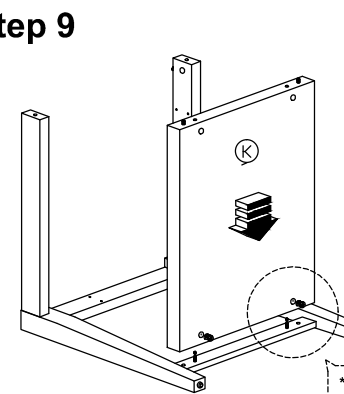
Step 8

*Assemble panels, secure with Minifix as shown.



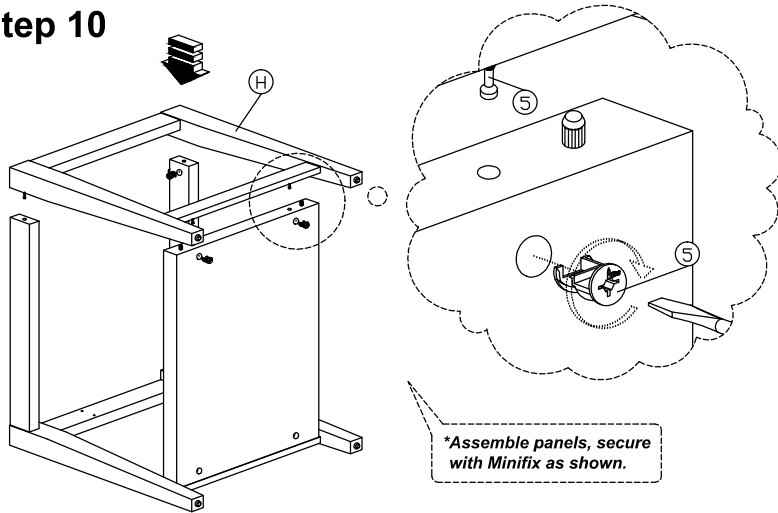
Step 9

*Assemble panels, secure with Minifix as shown.

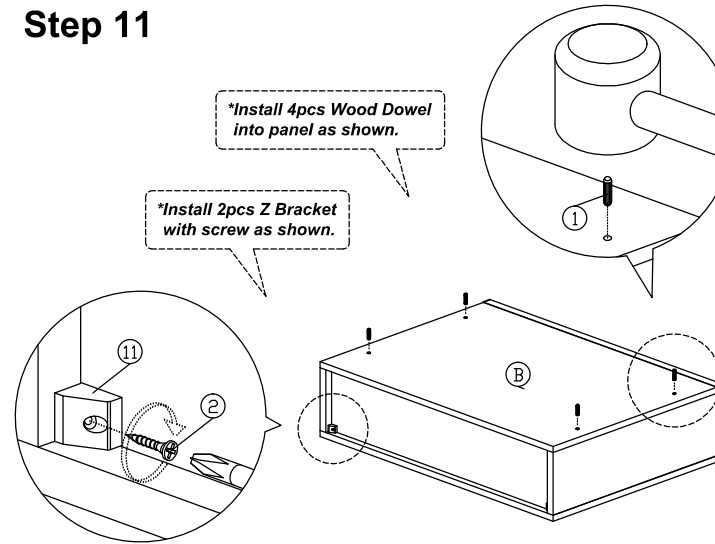


Assembly Instruction

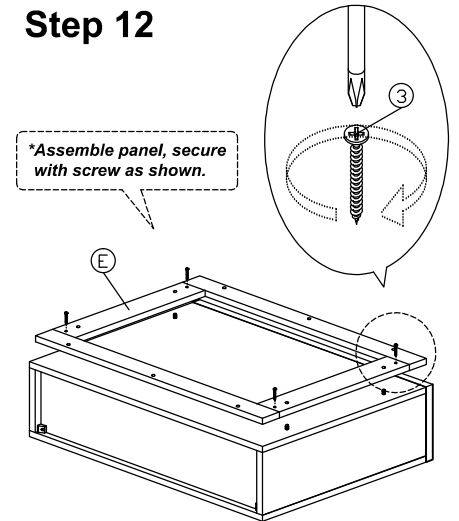
Step 10



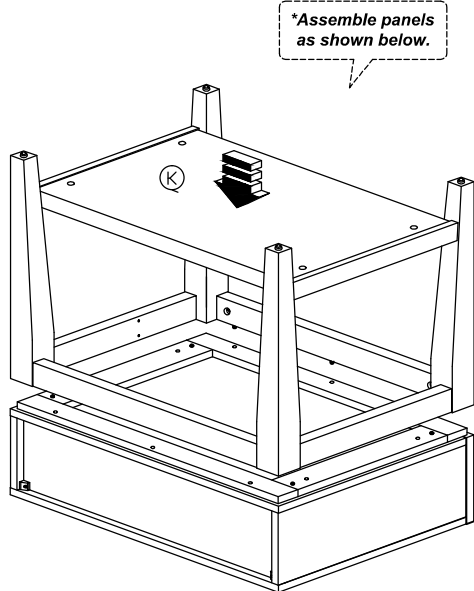
Step 11



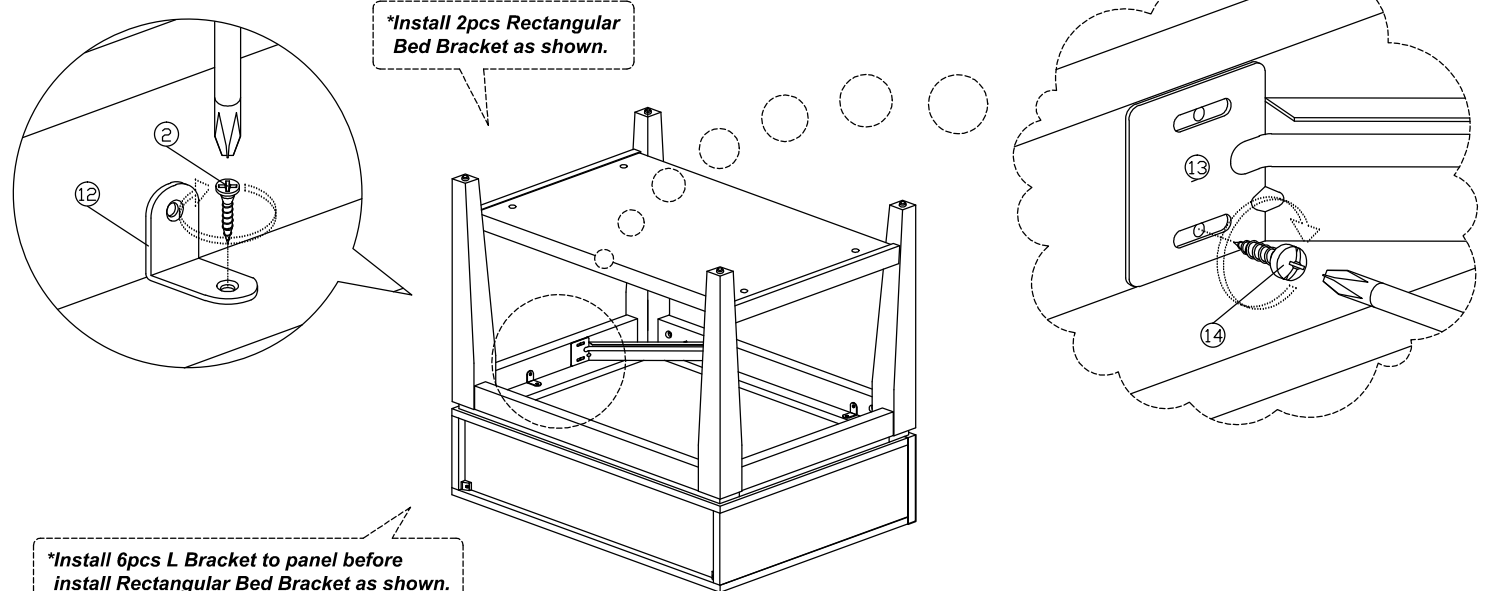
Step 12



Step 13

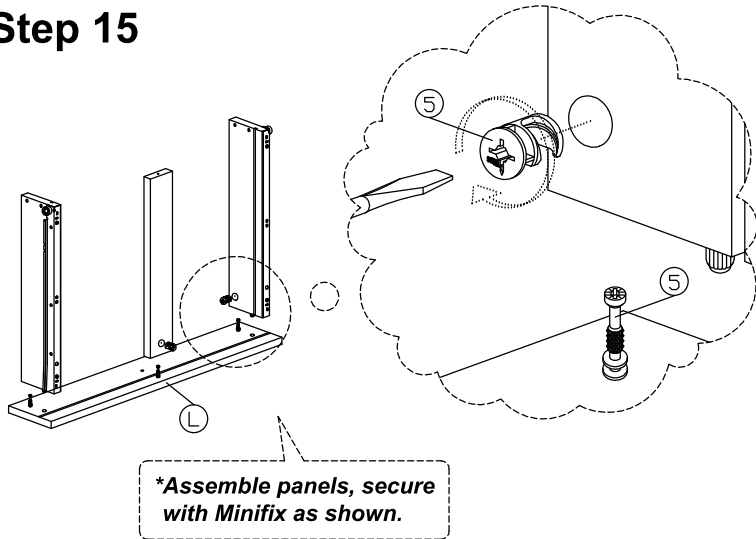


Step 14

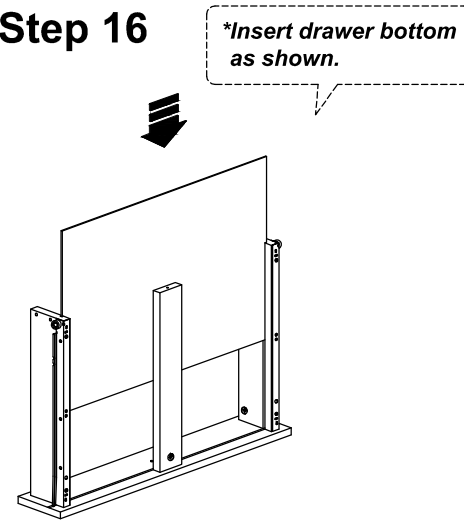


Assembly Instruction

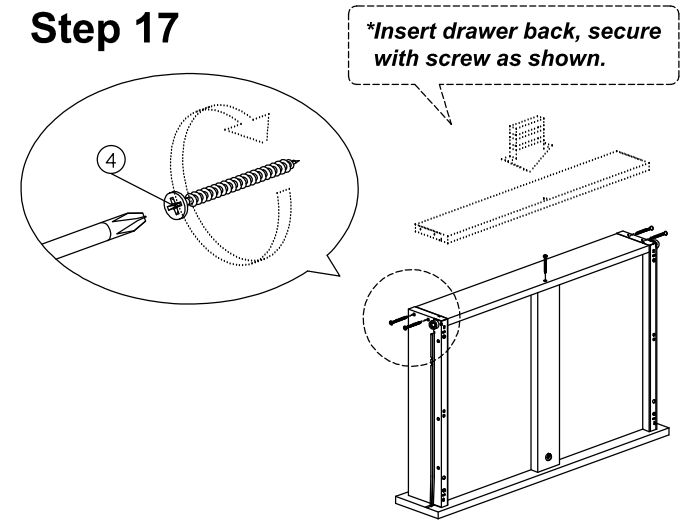
Step 15



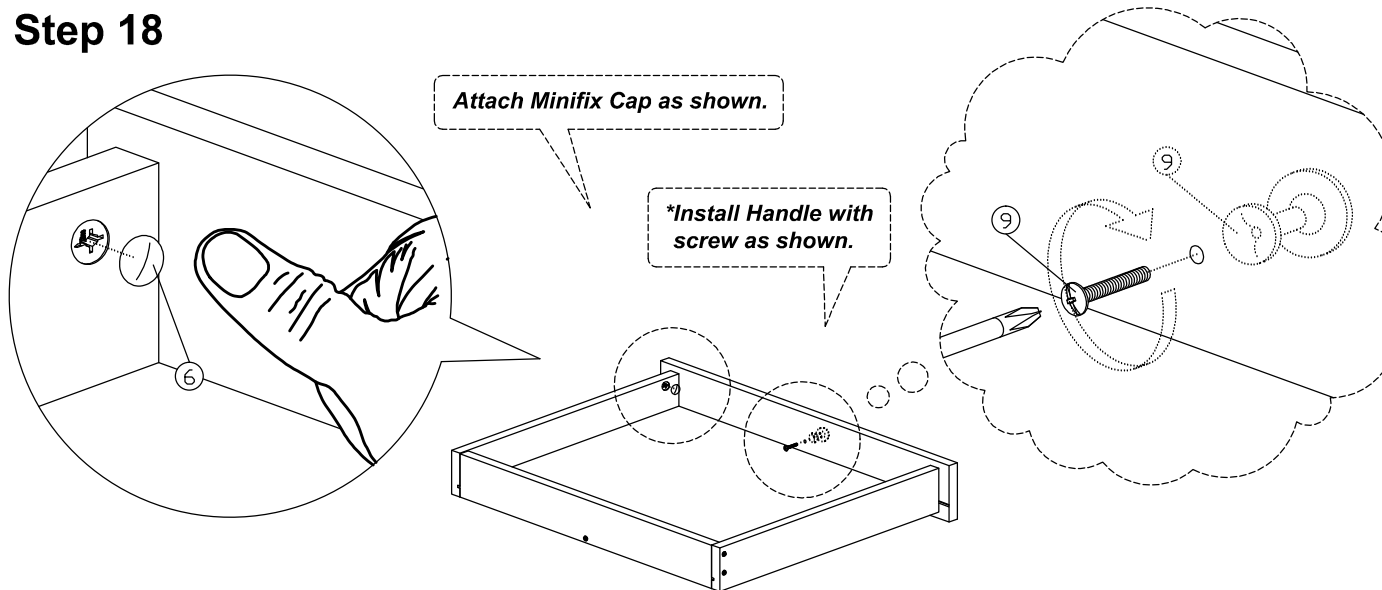
Step 16



Step 17



Step 18



Step 19

