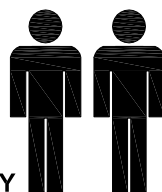


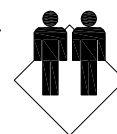
MODEL NAME:

ST 4847-01

1.0hr



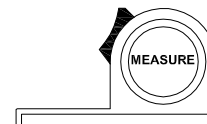
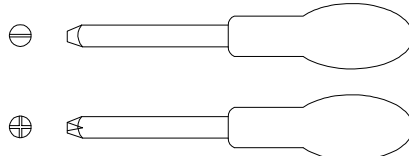
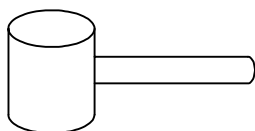
FLOOR AREA
1.0M X 1.0M



APPROXIMATE ASSEMBLY TIME

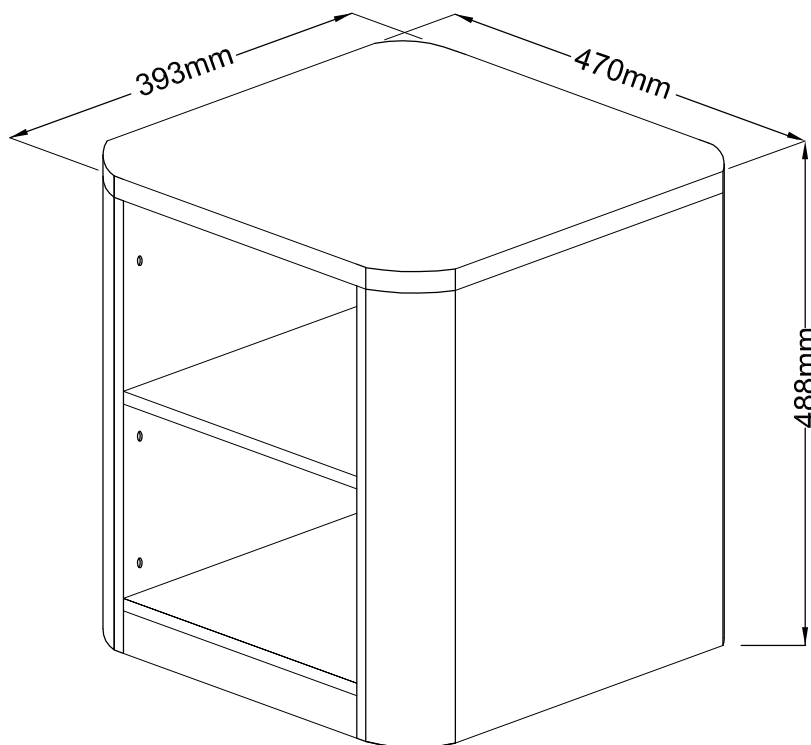
2 PEOPLE FOR ASSEMBLY

REQUIRED ASSEMBLY SPACE



REQUIRED ASSEMBLY TOOLS

ASSEMBLED DIMENSIONS



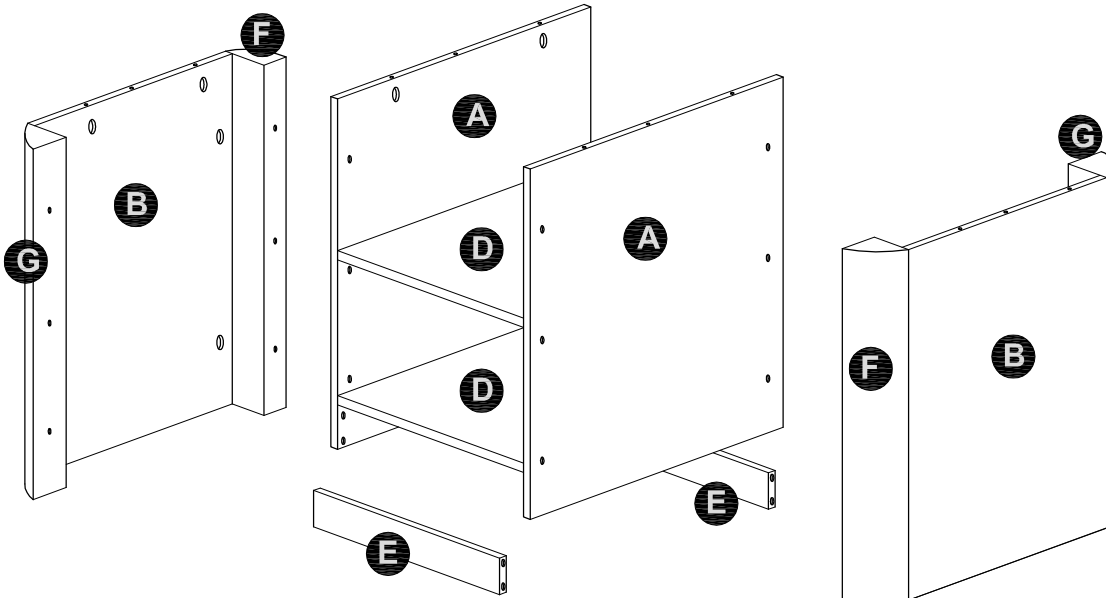
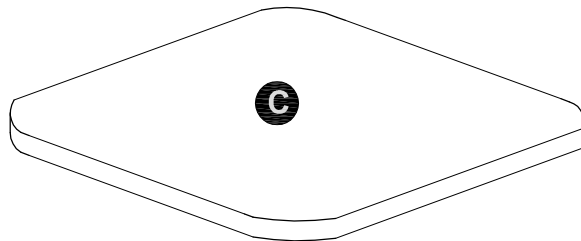
NOTE : THE MAXIMUM WEIGHT THIS PRODUCT CAN HOLD UP TO IS 25 KGS.

MODEL NAME:

ST 4847-01

NO.	PART LIST	QTY
(A)	INNER SIDE PANEL	2
(B)	OUTER SIDE PANEL	2
(C)	TOP PANEL	1
(D)	FIXED PANEL	2
(E)	CROSSBAR	2
(F)	PROFILE LEG RIGHT	2
(G)	PROFILE LEG LEFT	2

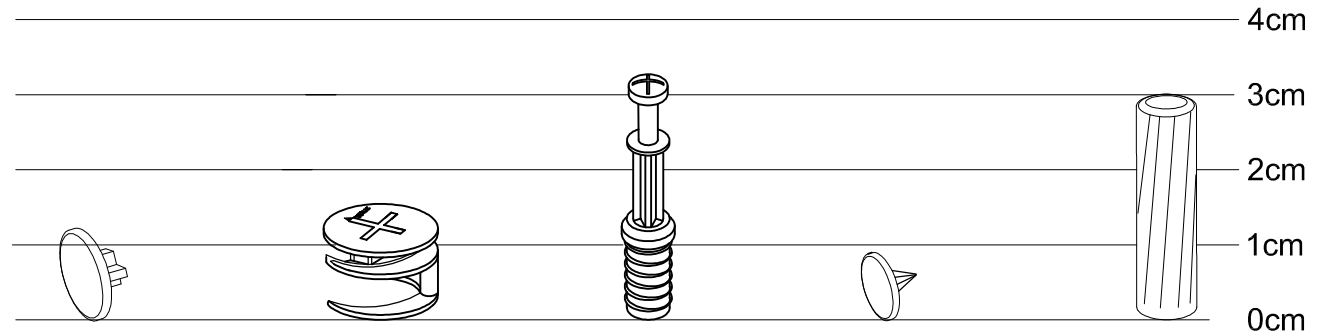
PARTS LIST



MODEL NAME:

ST 4847-01

HARDWARE LIST



4cm
3cm
2cm
1cm
0cm

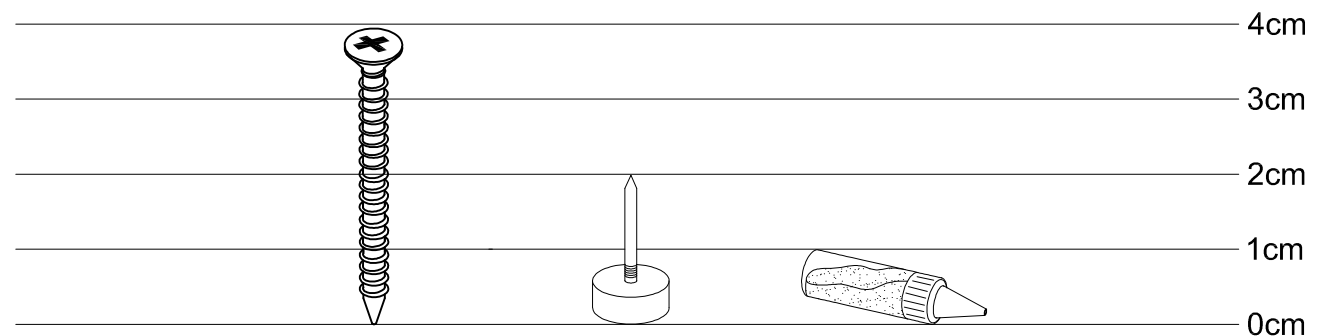
4X
Dia 17mm
1
CAMLOCK CAP
(OPTIONAL)

24X
Dia.15mm
2
CAM-LOCK

24X
M6.5
3
CAM BOLT

12X
Dia 13mm
4
SCREW CAP
(OPTIONAL)

20X
Dia.6 x 30mm
5
WOOD
DOWEL

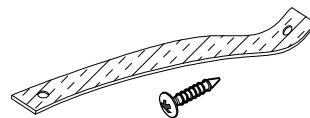


4cm
3cm
2cm
1cm
0cm

12X
M8 x 38mm
6
FLAT HEAD
SCREW

4X
7
FOOT

1X
8
GLUE 10CC



1X
9
ANTI TIP
STRAP

MODEL NAME:

ST 4847-01

Top Tips before you start!

1. Please check that all parts are present before you start the assembly of your furniture.
2. For ease and speed of assembly, we recommend that before you commence each step of the assembly, that you identify all the parts required for that step.
3. For larger items, please ensure that you have sufficient space and people (as indicated on page 1) to assemble your product safely
4. We recommend that, where possible, all items are assembled near to the area in which they will be placed in use, to avoid moving the product unnecessarily once assembled.
5. For the protection of your furniture, particularly items of high gloss finish, we recommend that the product is placed on a protected surface during assembly to prevent any damage.
6. Caution - Electric / Battery operated screw driver NOT RECOMMENDED.
7. During assembly please take care not to over-tighten any fittings, as this may damage the product.
8. Always place the product on a flat, steady and stable surface.
9. Do not sit or stand on the product.
Do not use the product as a stepladder.
10. This product is intended for indoor, household use only as it is non industrial product.
11. This product is constructed from re-inforced hollow board. Excessive pressure cause irreparable damage. Please do not kneel on any part of this product during assembly.

Care and Maintenance of your Furniture

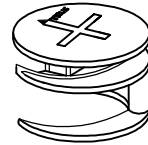
- Please periodically check all fittings and re-tighten as necessary.
- To clean your item, please use a damp cloth and wipe clean.
- Never allow any kind of liquid to remain on your furniture.
- Please do not place hot items (e.g. hot drinks) directly on to the wood surface.
- Please do not drag and pull your furniture.

MODEL NAME:

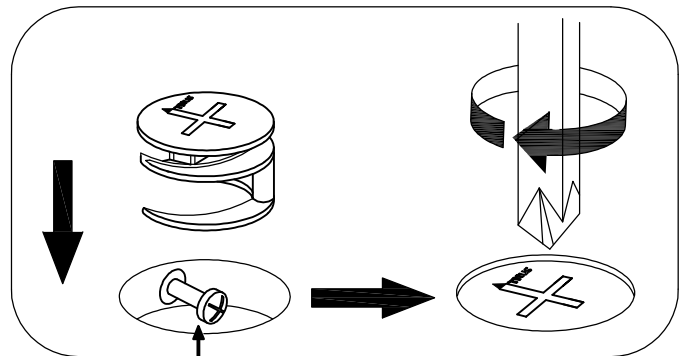
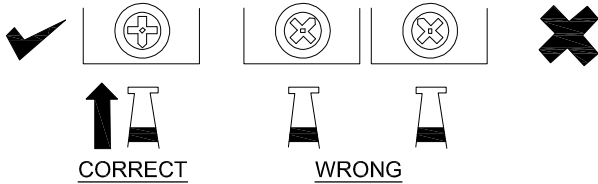
ST 4847-01

SPECIAL TIPS FOR FITTING CAM-LOCKS AND CAM BOLT

CAM-LOCK



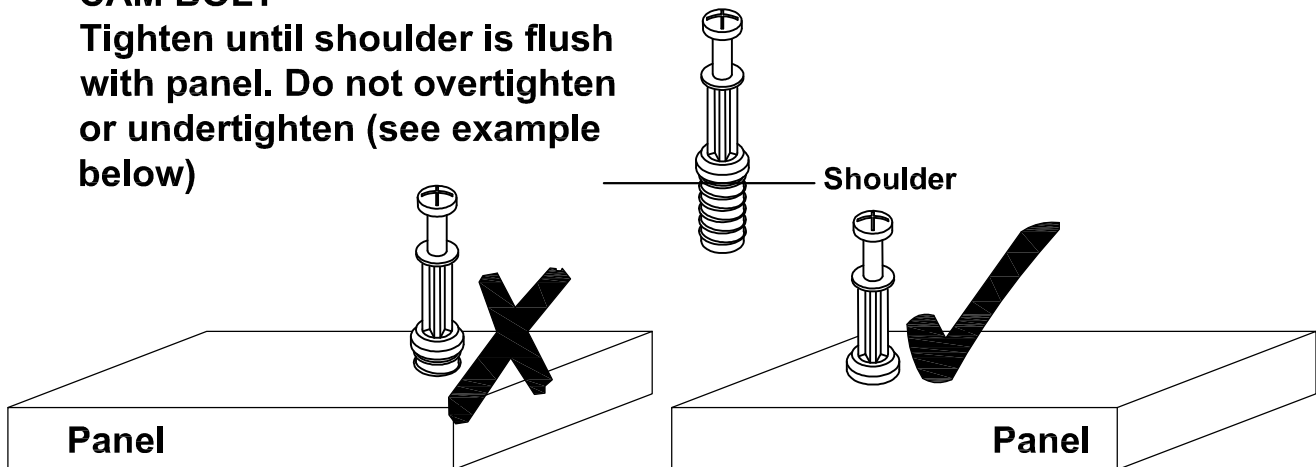
WHEN FITTING CAM-LOCK
ENSURE STARTING POSITION IS CORRECT
BEFORE YOU INSERT CONNECTING CAM BOLT
TURN CLOCKWISE UNTIL SECURE



Cam bolt head needs to be in centre

CAM BOLT

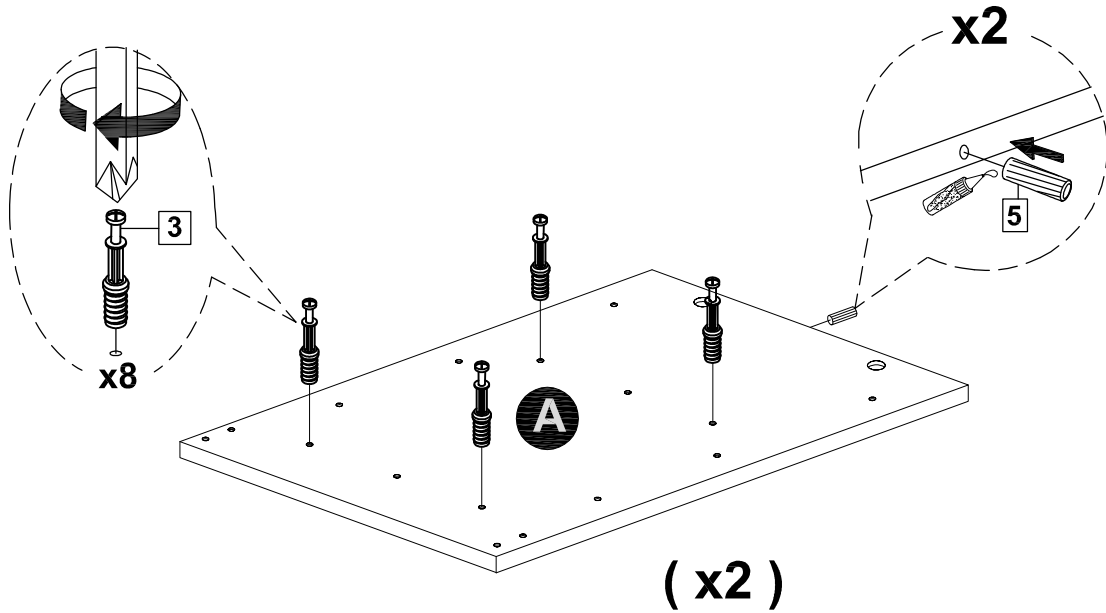
Tighten until shoulder is flush
with panel. Do not overtighten
or undertighten (see example
below)



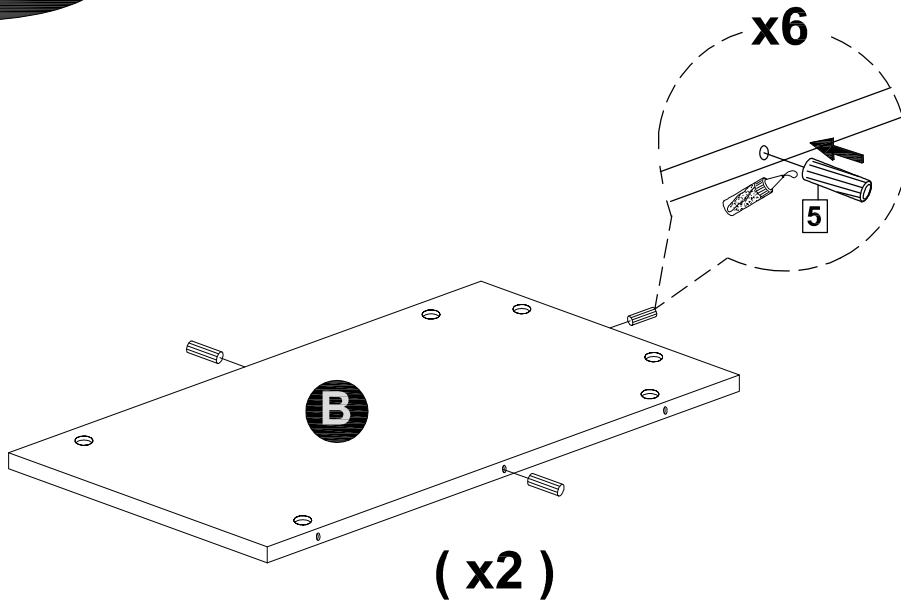
MODEL NAME:

ST 4847-01

STEP 1



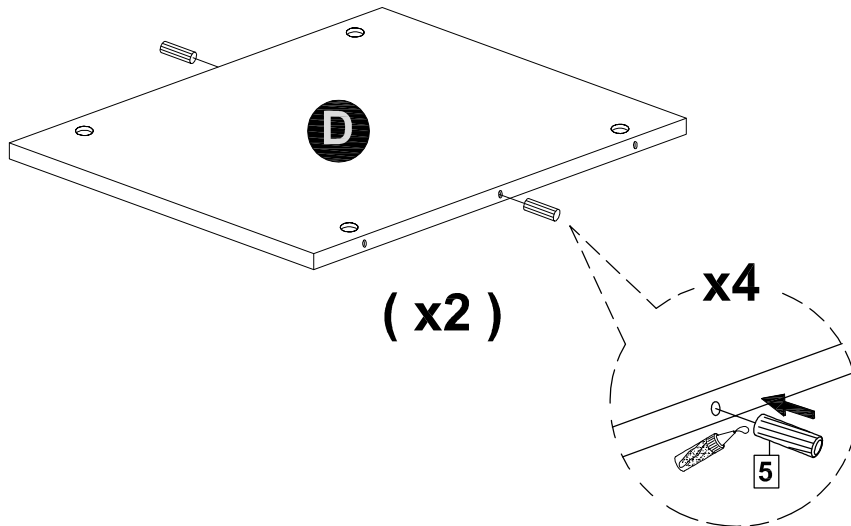
STEP 2



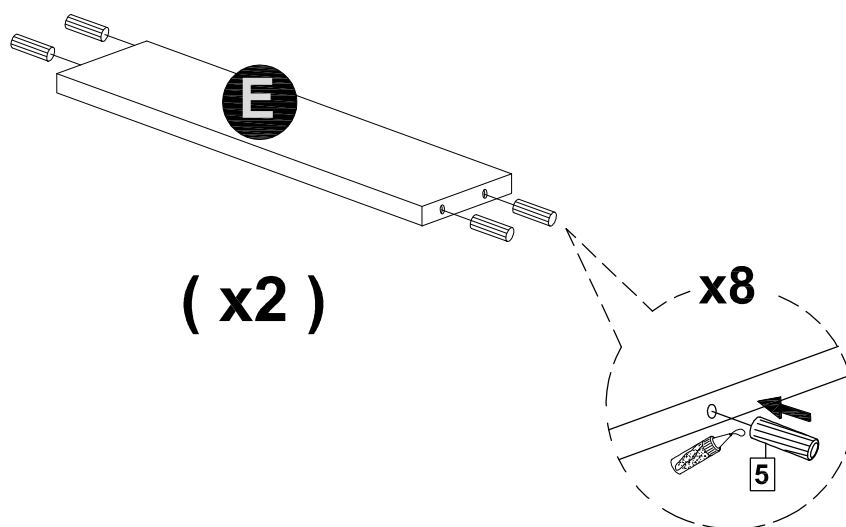
MODEL NAME:

ST 4847-01

STEP 3



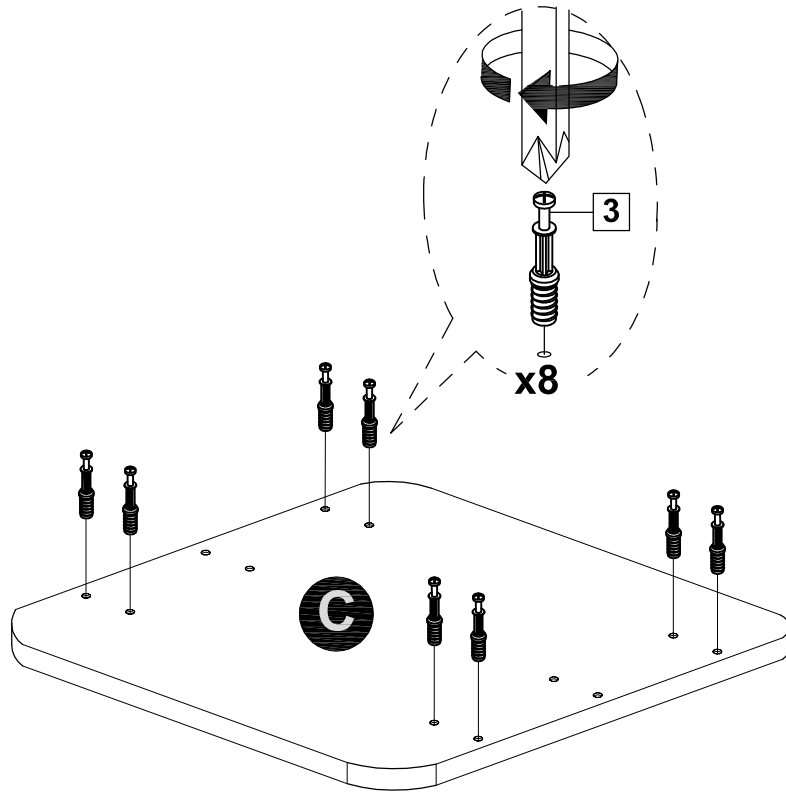
STEP 4



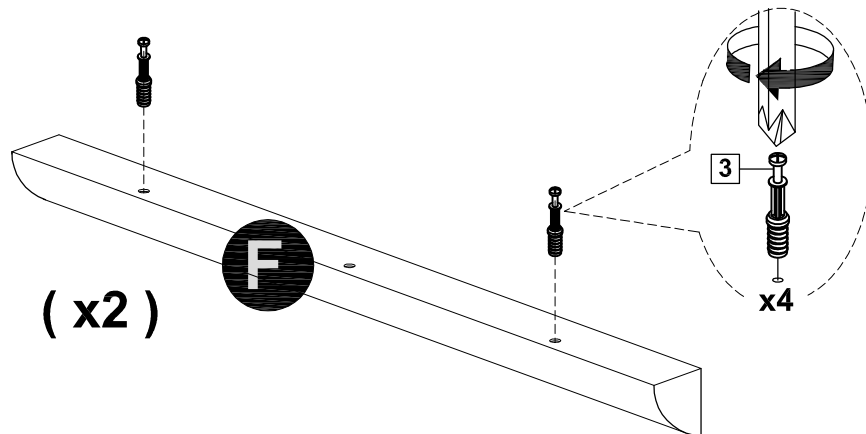
MODEL NAME:

ST 4847-01

STEP 5



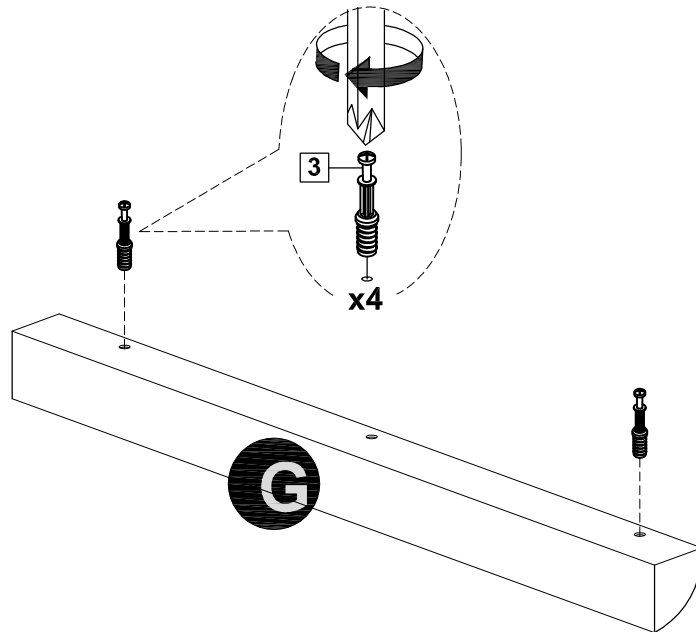
STEP 6



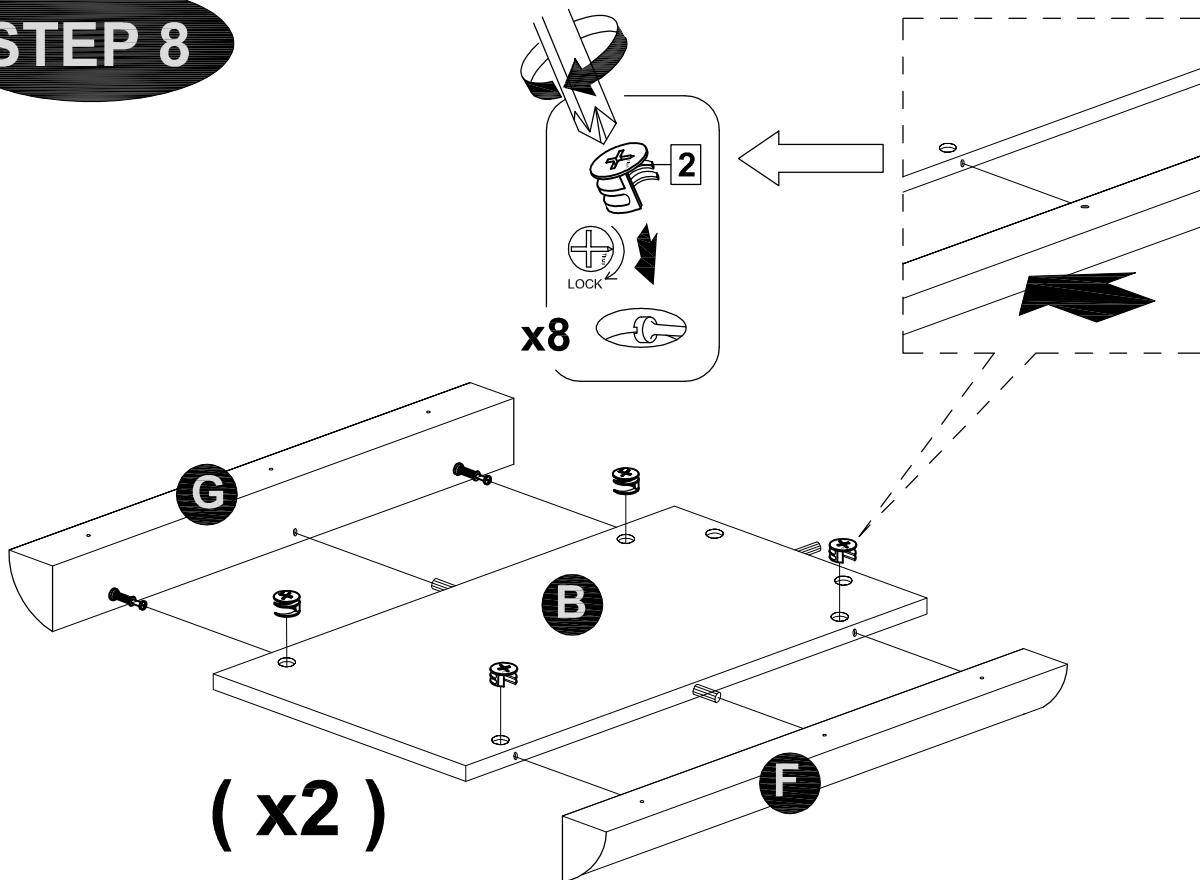
MODEL NAME:

ST 4847-01

STEP 7



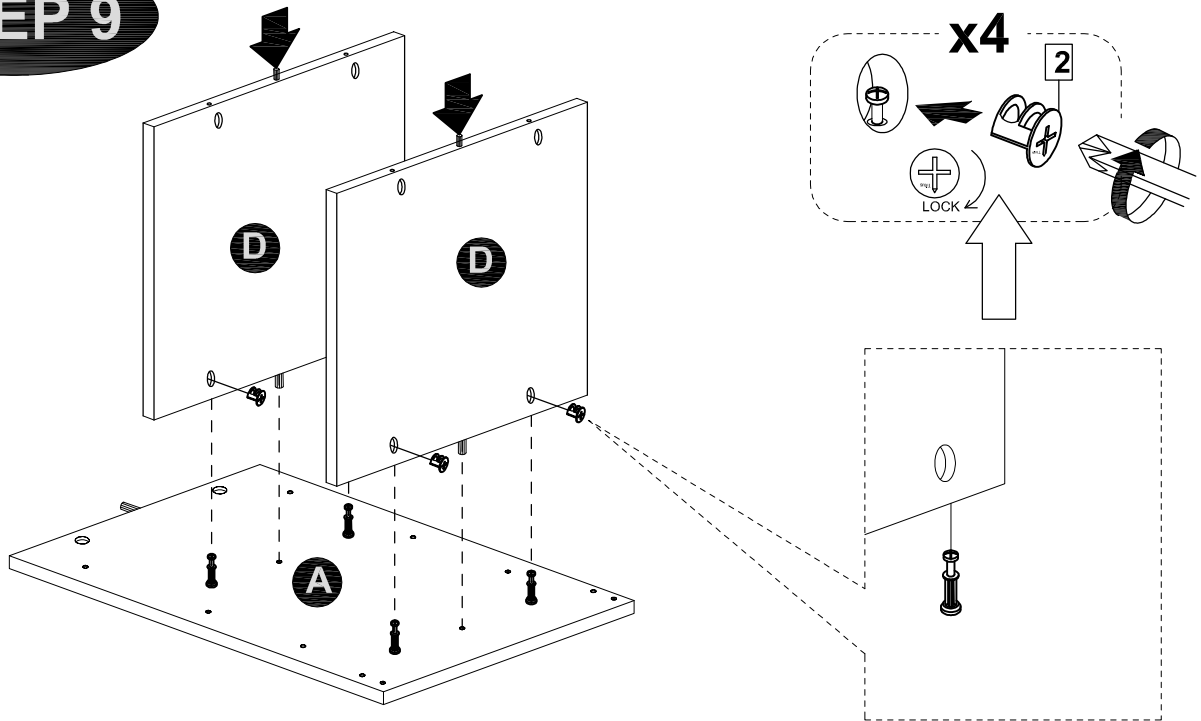
STEP 8



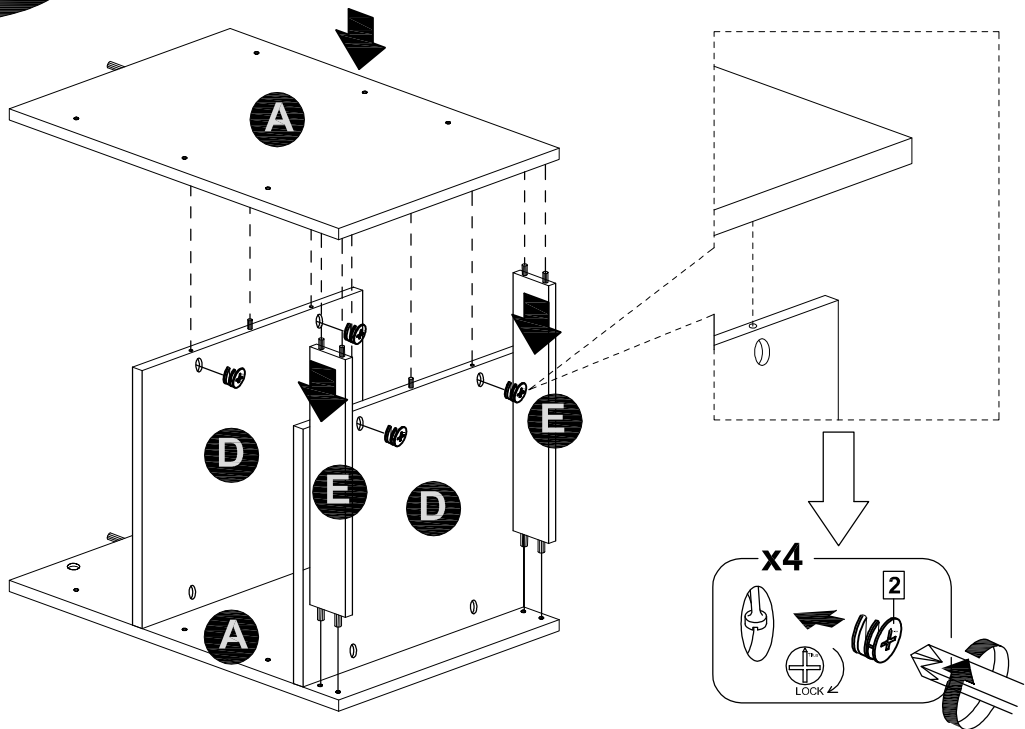
MODEL NAME:

ST 4847-01

STEP 9



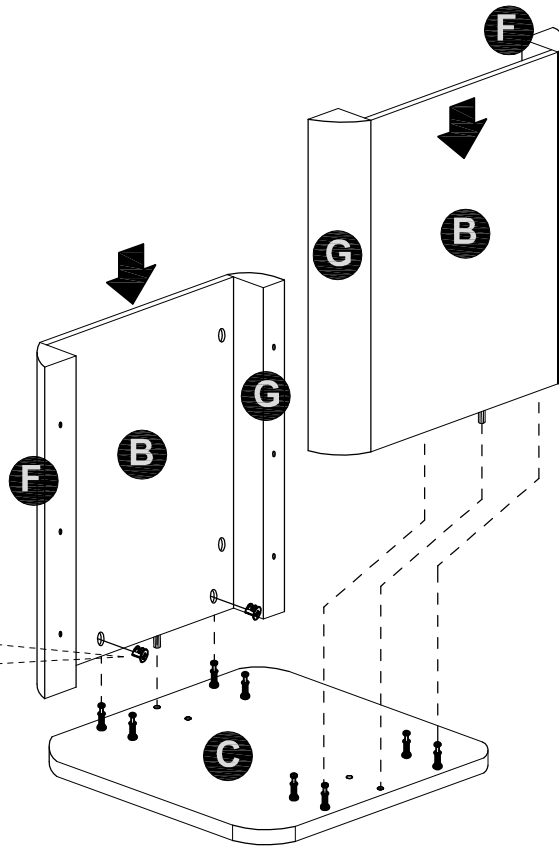
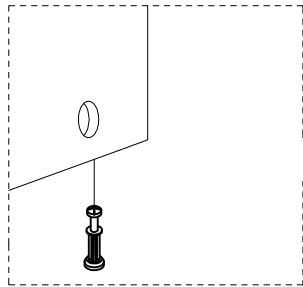
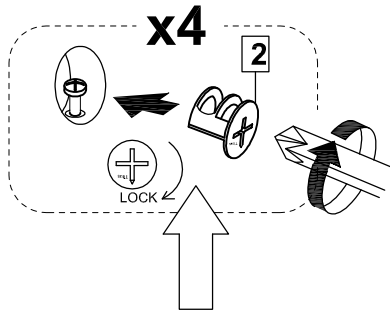
STEP 10



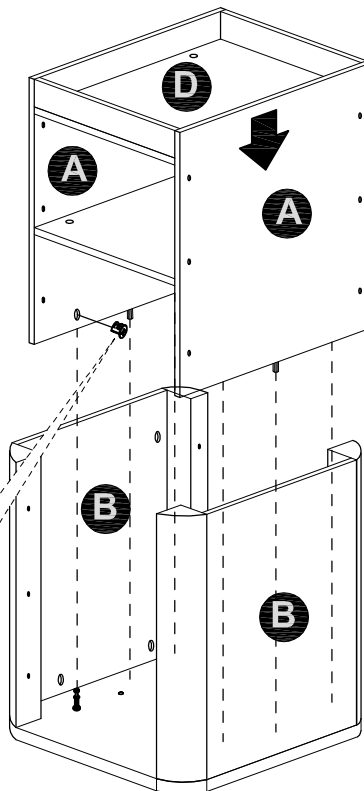
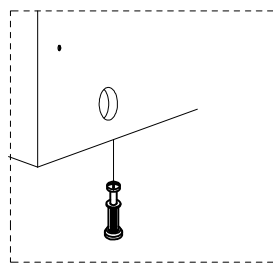
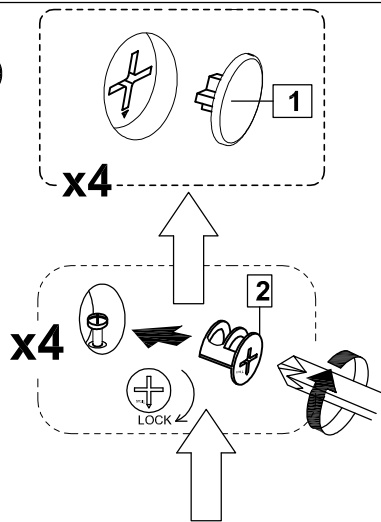
MODEL NAME:

ST 4847-01

STEP 11



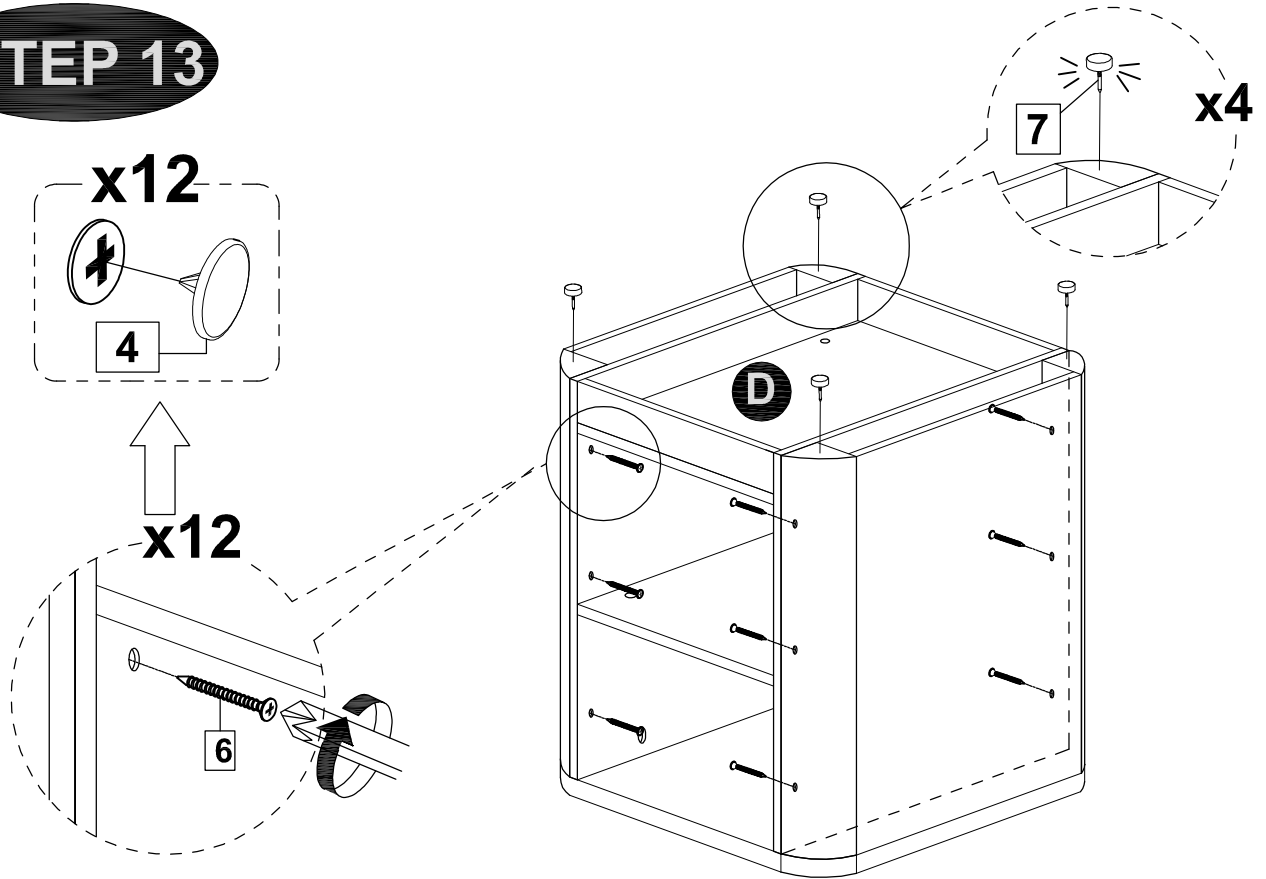
STEP 12



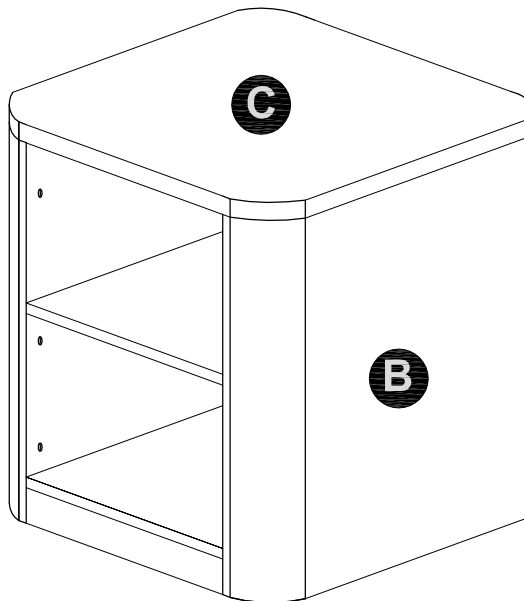
MODEL NAME:

ST 4847-01

STEP 13



STEP 14



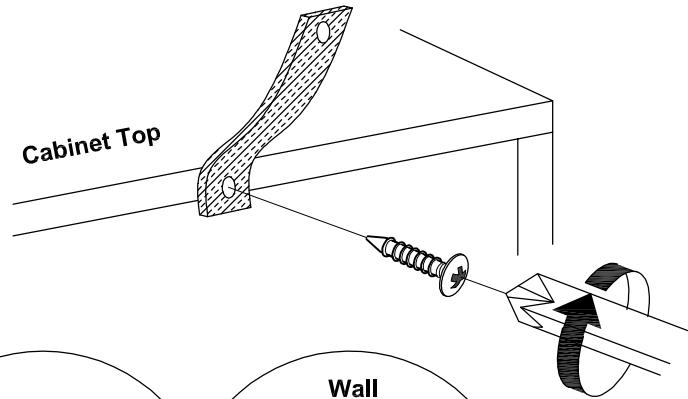
SAFETY WARNING :

It is recommended that you fit the anti-tip bracket to this item to avoid tipping and causing injury.

FITTING OF ANTI-TIP BRACKET

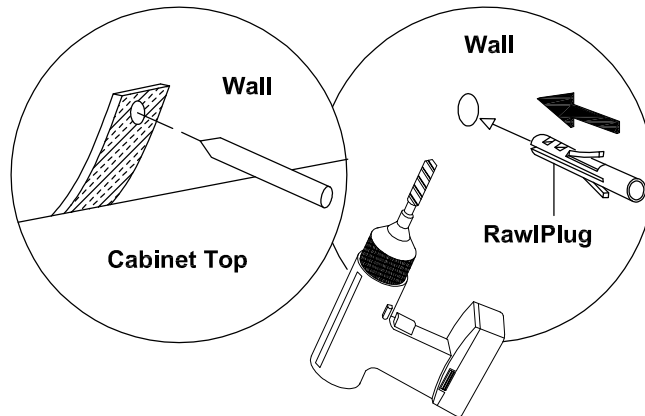
STEP 1 :

Insert screws through bracket into pre-drilled holes in cabinet.



STEP 2 :

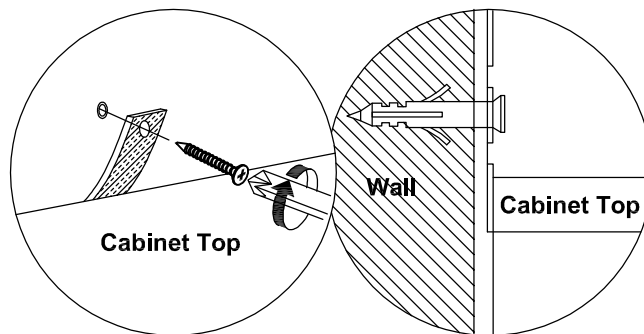
Make a mark on the wall through the bracket.



Drill a hole in the wall and insert the rawlplug.

STEP 3 :

Insert screw through bracket into hole in wall



NOTE : Wall fixings are not supplied with this product as different wall materials require different types of fixing devices (such as Rawl plugs on brick work). You must use fixing devices suitable for the type of wall you intend to mount this product to. Please ensure that the head of any screw used has a diameter greater than the diameter of the mounting hole on the bracket and that the fixing is safe and secure before use.

The screw supplied is to fix the anti-tip strap to the cabinet.

HARDWARE LIST



Anti-Tip Strap - 1pc



M4 x 16MM - 1pc