

MODEL NAME:

ST 3748-00

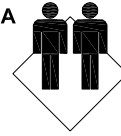
1.5hr

APPROXIMATE ASSEMBLY TIME

1 PERSON OF ASSEMBLY

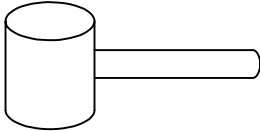


FLOOR AREA
1.5M X 1.5M

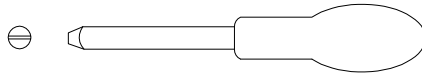


REQUIRED ASSEMBLY SPACE

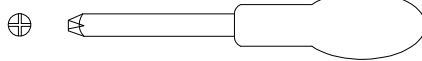
REQUIRED ASSEMBLY TOOLS



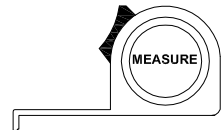
SOFT RUBBER HAMMER



SLOTTED SCREWDRIVER

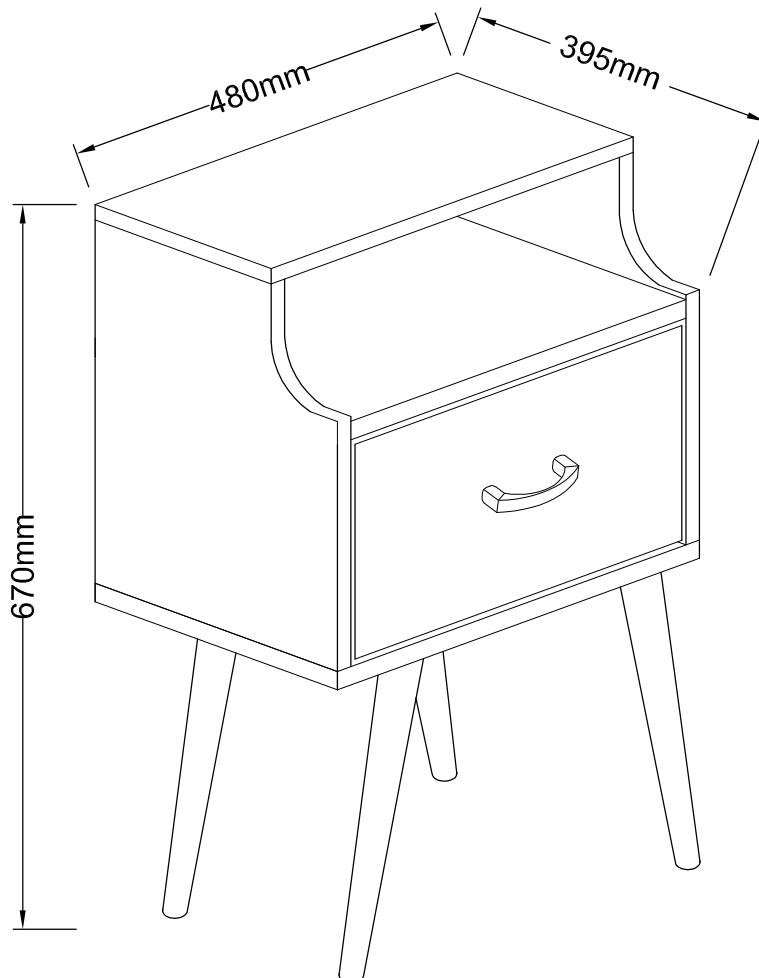


POZI SCREWDRIVER



MEASURING TAPE

ASSEMBLED DIMENSIONS



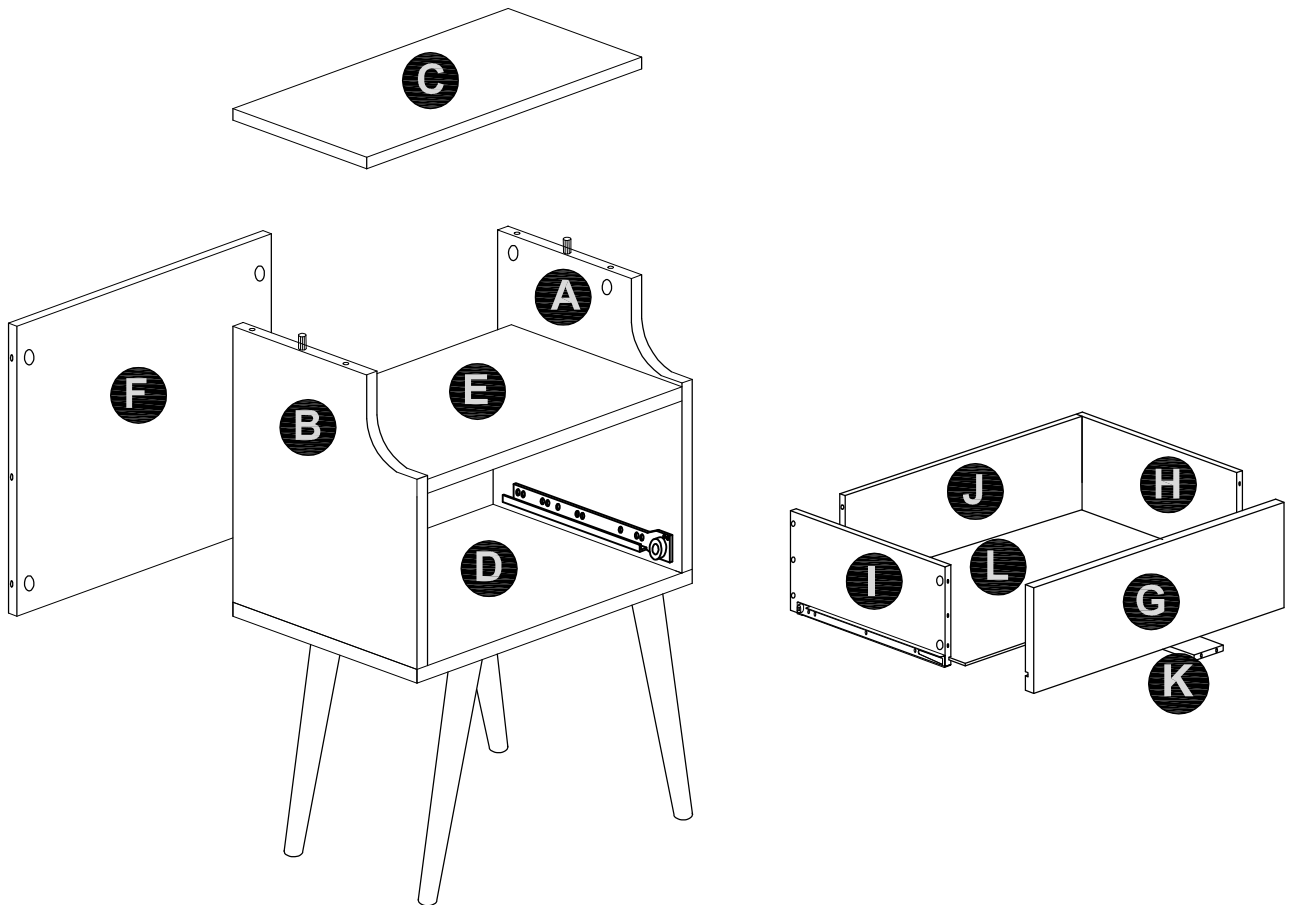
NOTE : THE MAXIMUM WEIGHT THIS PRODUCT CAN HOLD UP TO 25 KGS.

MODEL NAME:

ST 3748-00

NO.	PART LIST	QTY	NO.	PART LIST	QTY
(A)	RIGHT SIDE PANEL	1	(G)	DRAWER FRONT	1
(B)	LEFT SIDE PANEL	1	(H)	DRAWER RIGHT SIDE PANEL	1
(C)	TOP PANEL	1	(I)	DRAWER LEFT SIDE PANEL	1
(D)	BOTTOM PANEL	1	(J)	DRAWER BACK PANEL	1
(E)	FIXED PANEL	1	(K)	DRAWER BOTTOM SUPPORT	1
(F)	BACK PANEL	1	(L)	DRAWER BASE	1

PARTS LIST



MODEL NAME:

ST 3748-00

HARDWARE LIST

3cm
2cm
1cm
0cm

1X
1
HANDLE

2X
M4 x 19mm
2
PAN HEAD SCREW

4X
Dia 17mm
3
UNIVERSAL CAP (OPTIONAL)

1X
4
GLUE 10CC

8X
Dia.15mm
5
LARGE CAMLOCK

12mm

4cm
3cm
2cm
1cm
0cm

8X
Dia.15mm
6
SMALL CAM-LOCK

16X
M6.5
7
QUICKFIT

7X
M8 x 38mm
8
FLAT HEAD SCREW

16X
Dia.6 x 30mm
9
WOOD DOWEL

8X
M3.5 x 25mm
10
FLAT HEAD SCREW

6X
M4 x 30mm
11
FLAT HEAD SCREW

1X
M5
12
ALLEN KEY

4X
M8 x 70mm
13
ALLEN HEAD BOLT

4X
5/16
14
SPRING WASHER

4X
22 x 5/16
15
FLAT WASHER

1X
16
ANTI TIP STRAP

4X
17
Dia.45/27- 300mm
LEG

1X
18
WOODEN FRAME

MODEL NAME:

ST 3748-00

Top Tips before you start!

1. Please check that all parts are present before you start the assembly of your furniture.
2. For ease and speed of assembly, we recommend that before you commence each step of the assembly, that you identify all the parts required for that step.
3. For larger items, please ensure that you have sufficient space and people (as indicated on page 1) to assemble your product safely
4. We recommend that, where possible, all items are assembled near to the area in which they will be placed in use, to avoid moving the product unnecessarily once assembled.
5. For the protection of your furniture, particularly items of high gloss finish, we recommend that the product is placed on a protected surface during assembly to prevent any damage.
6. Caution - Electric / Battery operated screw driver NOT RECOMMENDED.
7. During assembly please take care not to over-tighten any fittings, as this may damage the product.
8. Always place the product on a flat, steady and stable surface.
9. Do not sit or stand on the product.
Do not use the product as a stepladder.
10. This product is intended for indoor, household use only as it is non industrial product.
11. This product is constructed from re-inforced hollow board. Excessive pressure cause irreparable damage. Please do not kneel on any part of this product during assembly.

Care and Maintenance of your Furniture

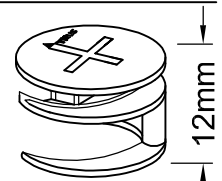
- Please periodically check all fittings and re-tighten as necessary.
- To clean your item, please use a damp cloth and wipe clean.
- Never allow any kind of liquid to remain on your furniture.
- Please do not place hot items (e.g. hot drinks) directly on to the wood surface.
- Please do not drag and pull your furniture.

MODEL NAME:

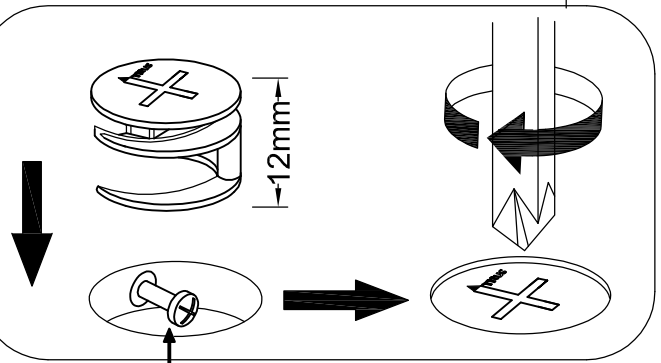
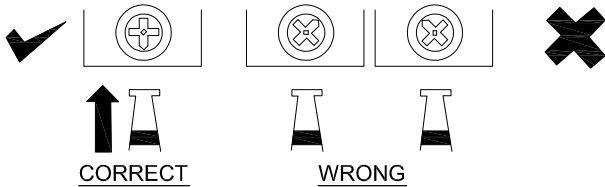
ST 3748-00

SPECIAL TIPS FOR FITTING CAM-LOCKS AND QUICKFIT

LARGE CAM-LOCK

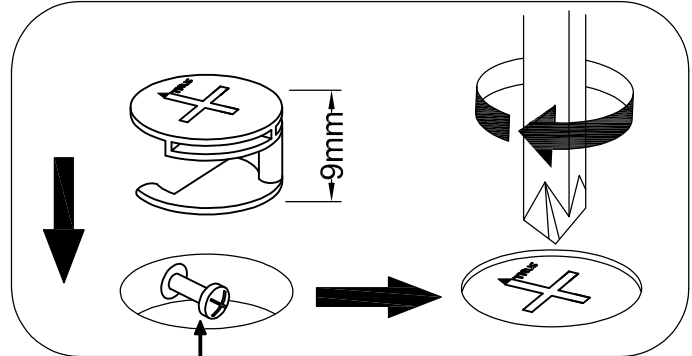
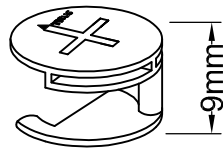


WHEN FITTING CAMLOCK
ENSURE STARTING POSITION IS CORRECT
BEFORE YOU INSERT CONNECTING QUICKFIT
TURN CLOCKWISE UNTIL SECURE



Cam bolt head needs to be in centre

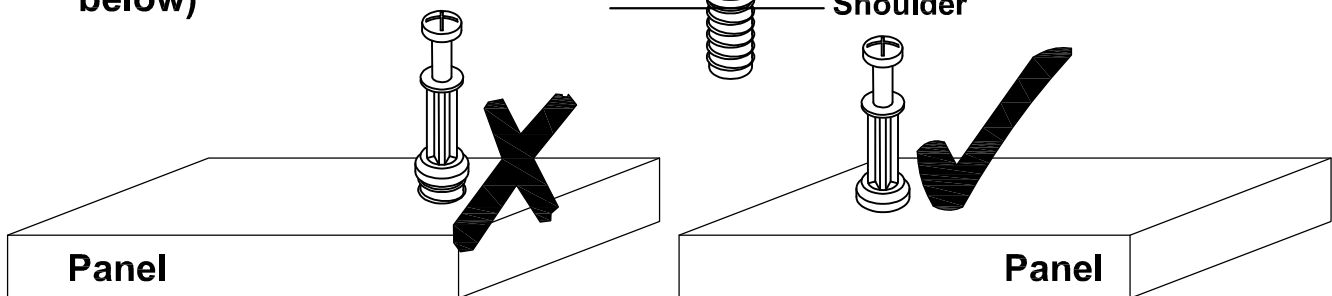
SMALL CAM-LOCK



Cam bolt head needs to be in centre

QUICKFIT

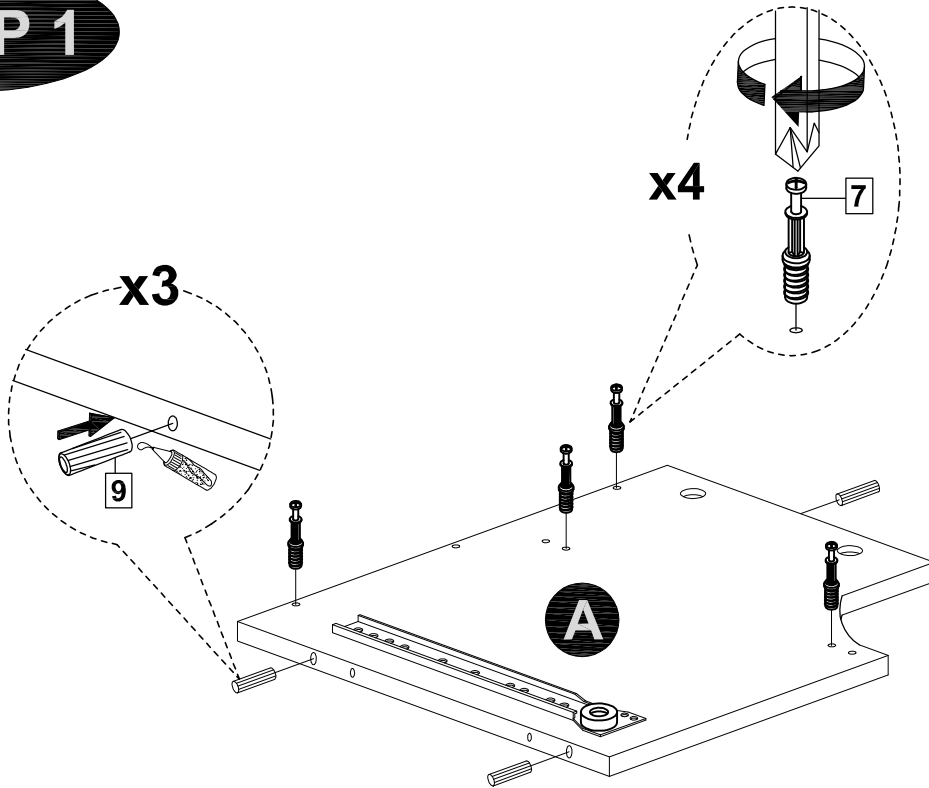
Tighten until shoulder is flush with panel. Do not overtighten or undertighten (see example below)



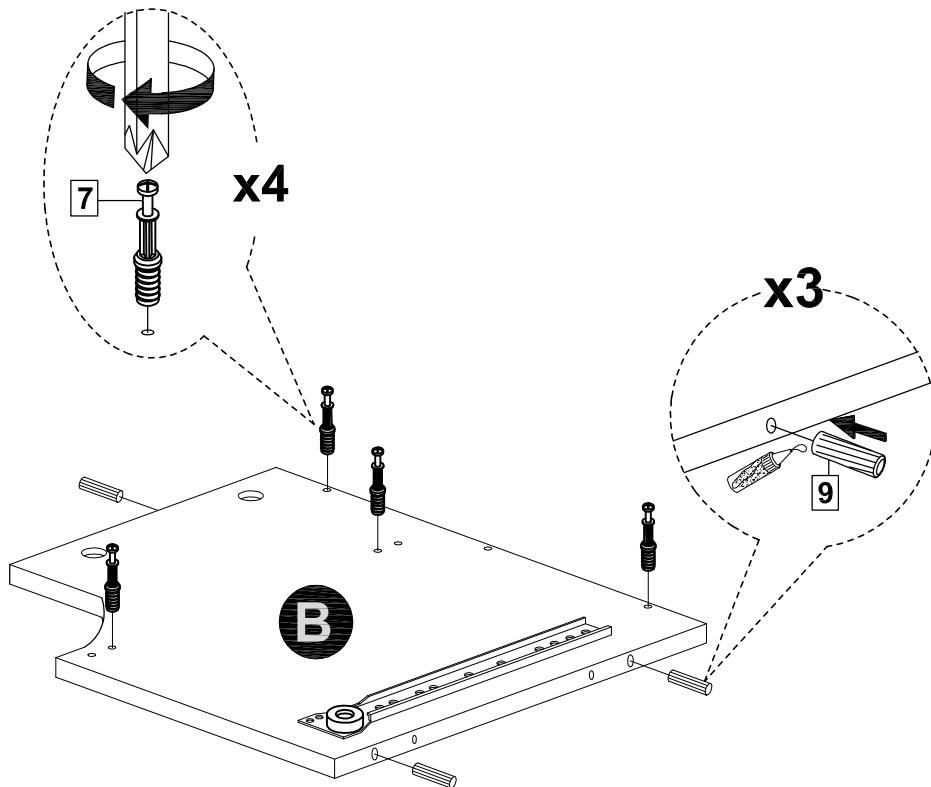
MODEL NAME:

ST 3748-00

STEP 1



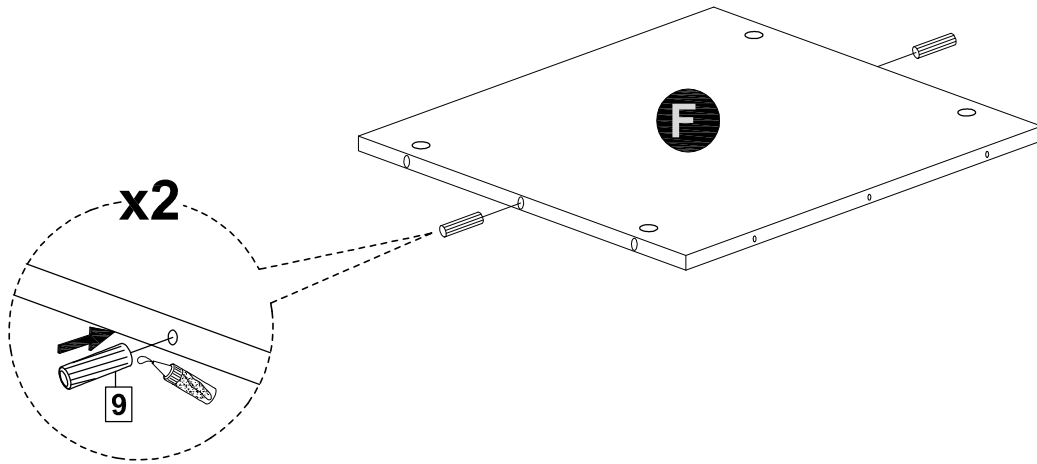
STEP 2



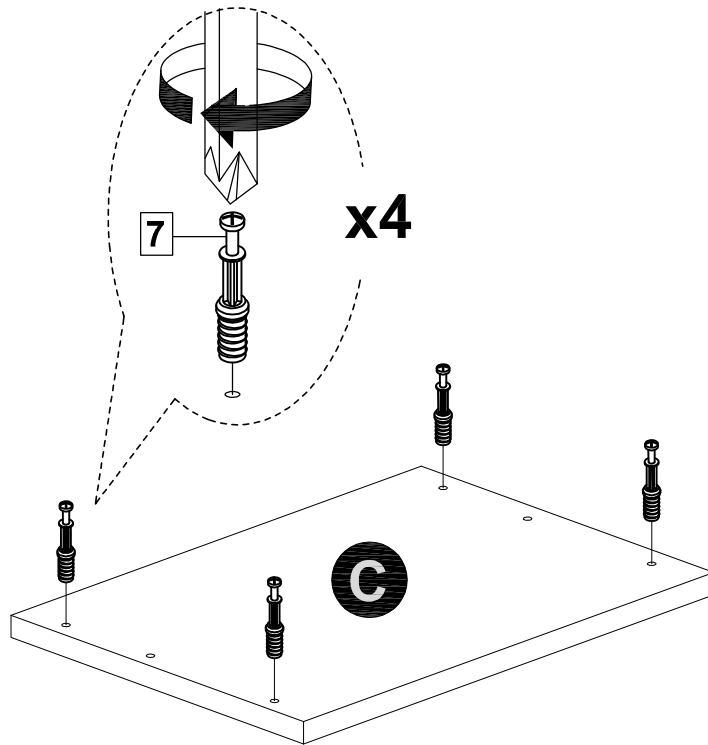
MODEL NAME:

ST 3748-00

STEP 3



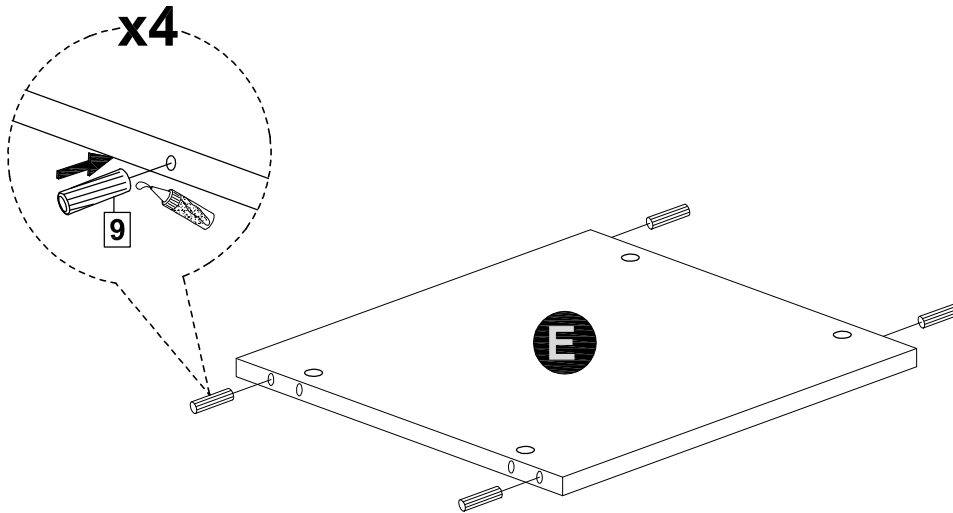
STEP 4



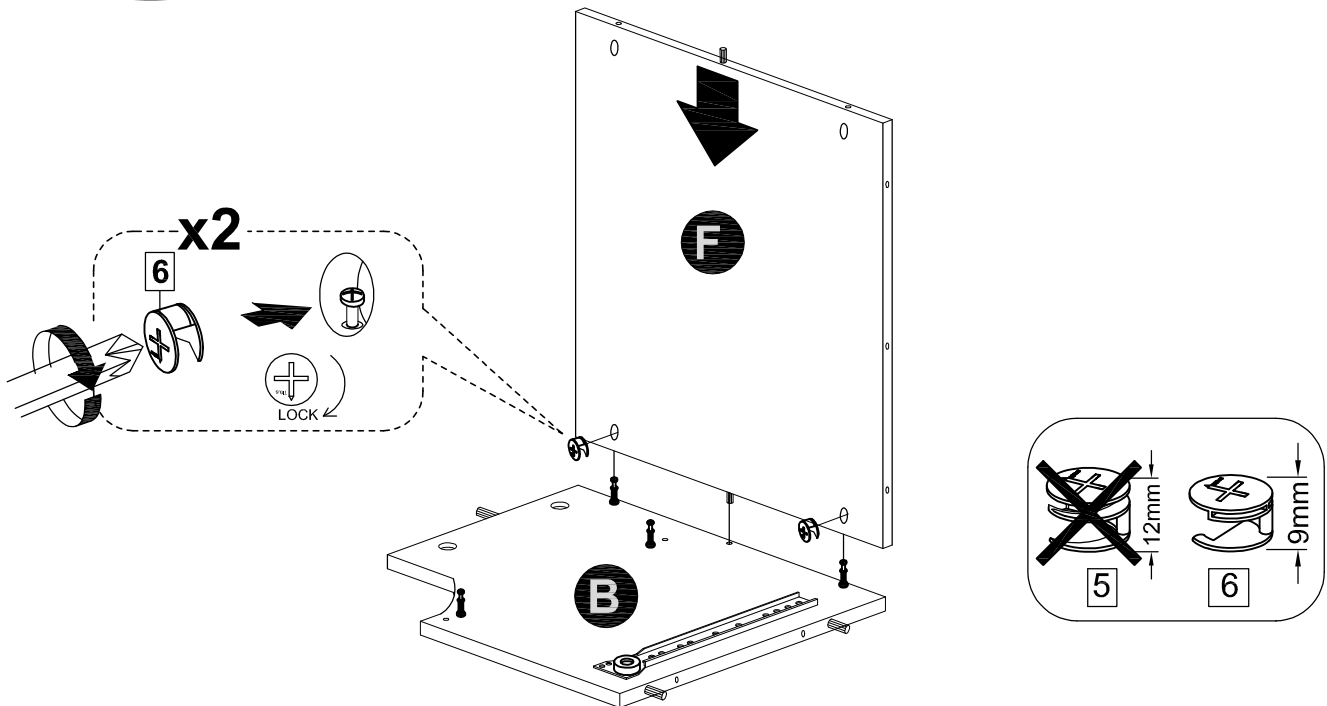
MODEL NAME:

ST 3748-00

STEP 5



STEP 6

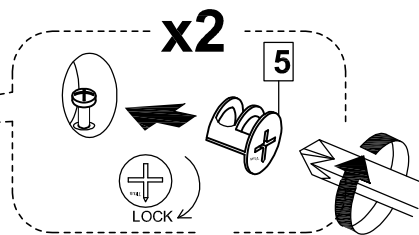
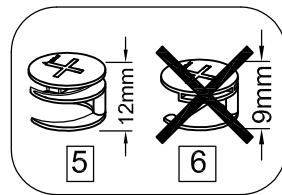
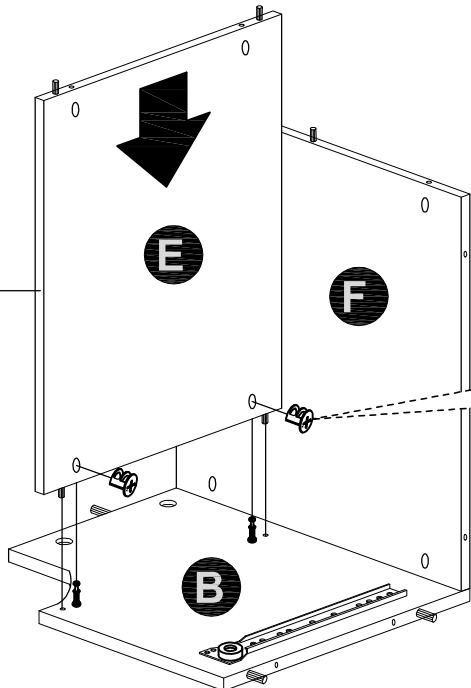


MODEL NAME:

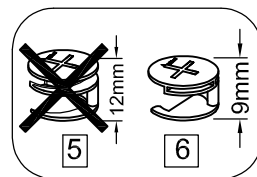
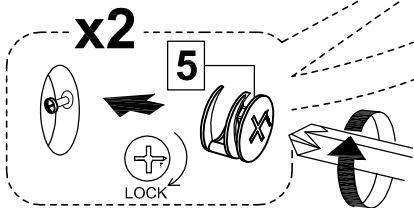
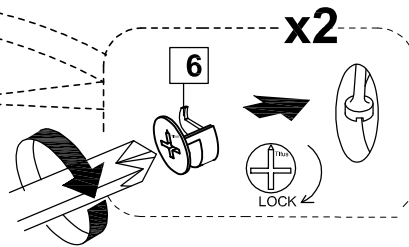
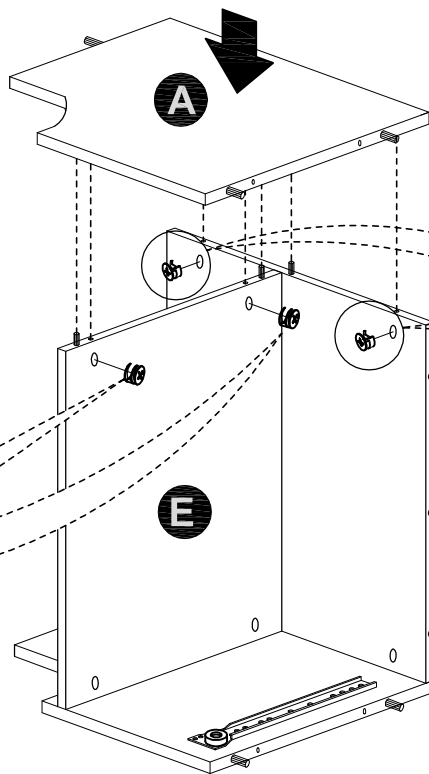
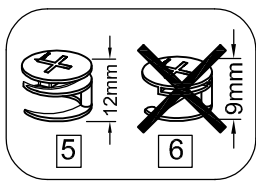
ST 3748-00

STEP 7

EDGING
SIDE



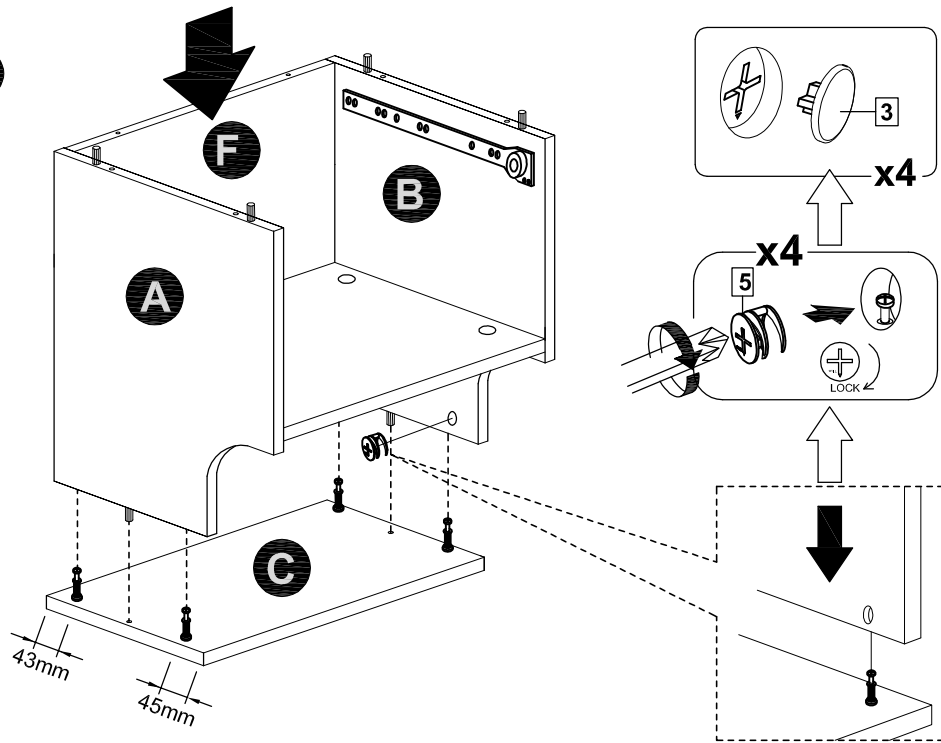
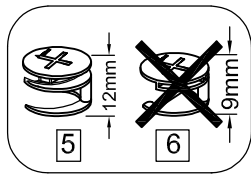
STEP 8



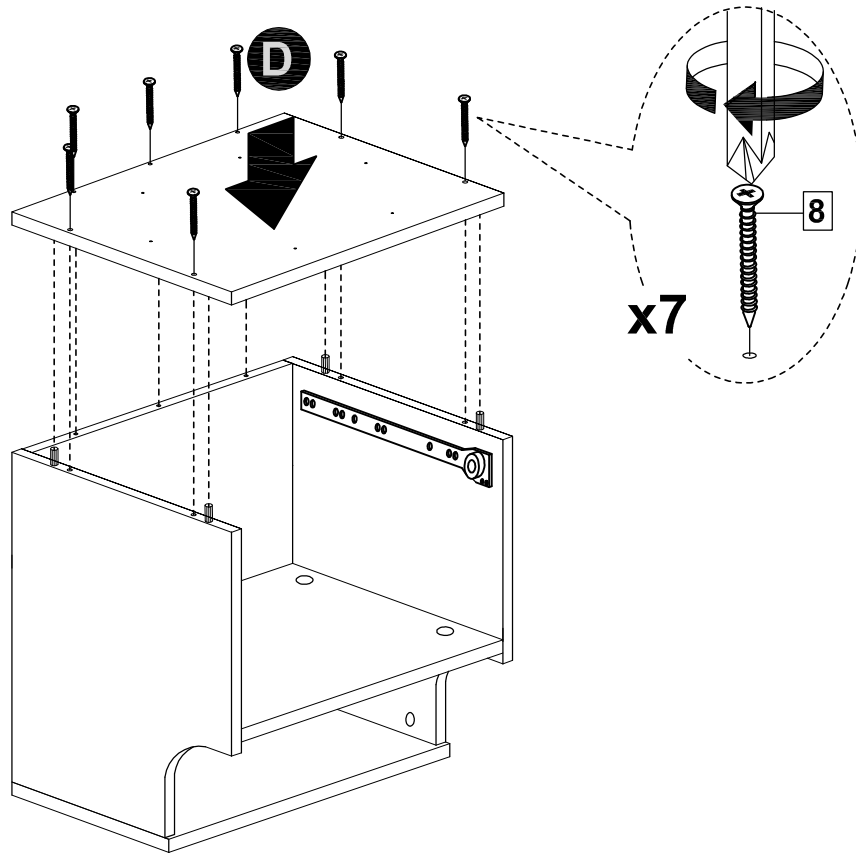
MODEL NAME:

ST 3748-00

STEP 9



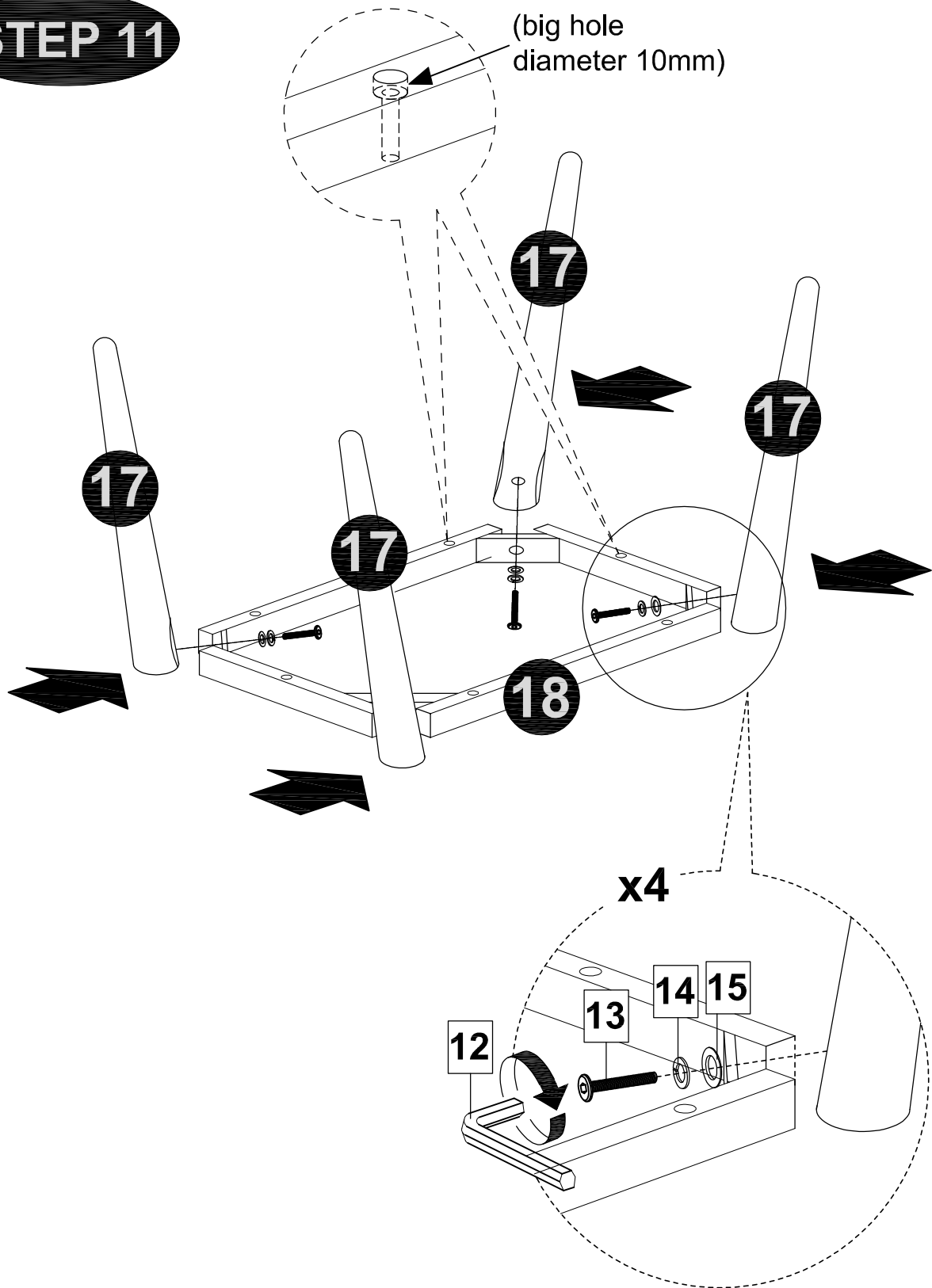
STEP 10



MODEL NAME:

ST 3748-00

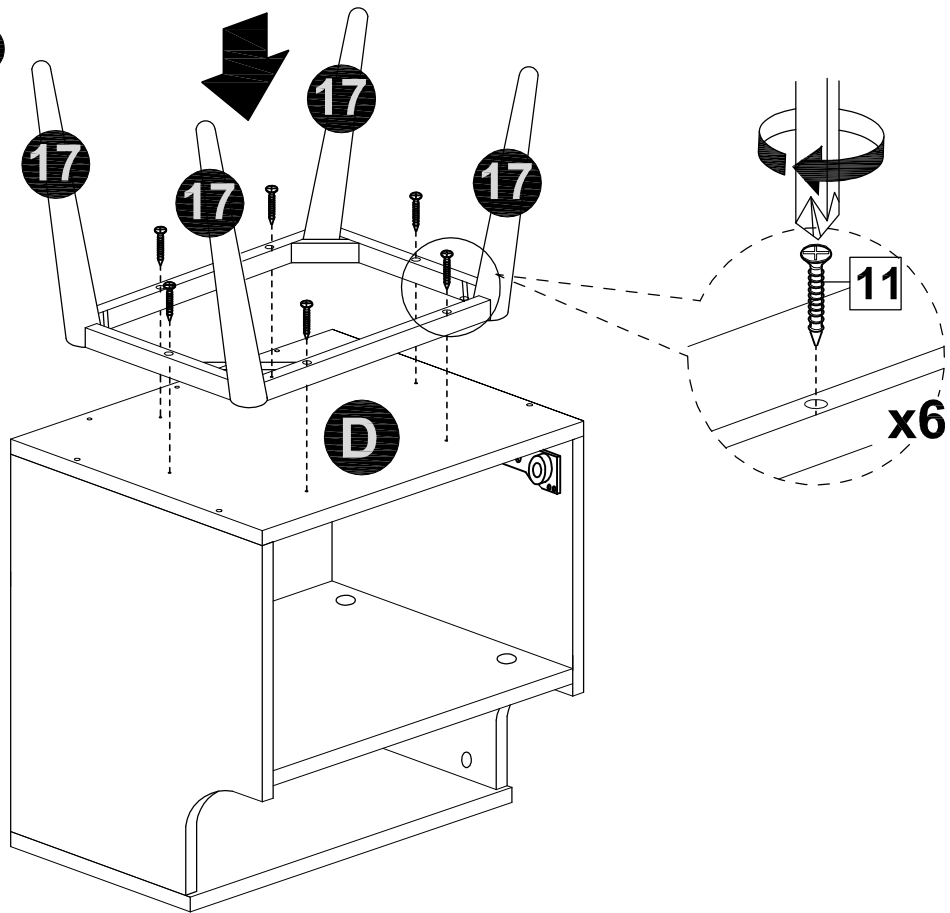
STEP 11



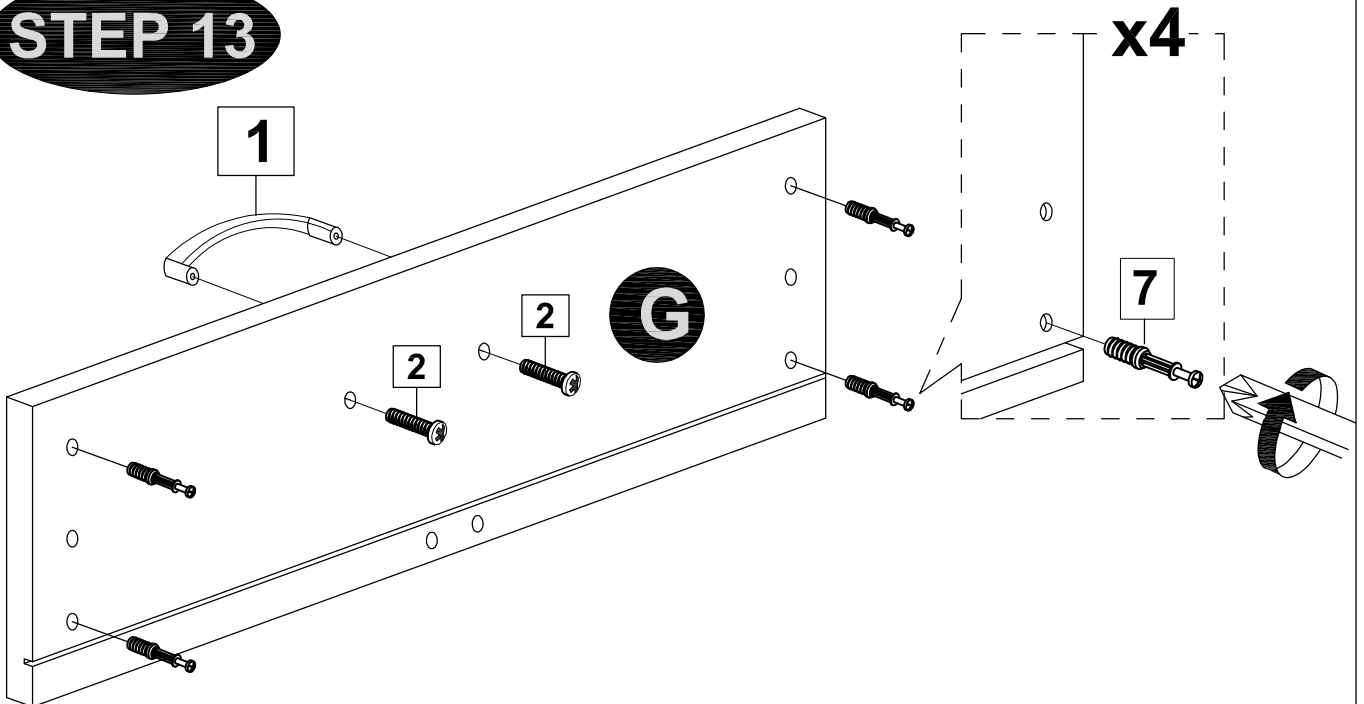
MODEL NAME:

ST 3748-00

STEP 12



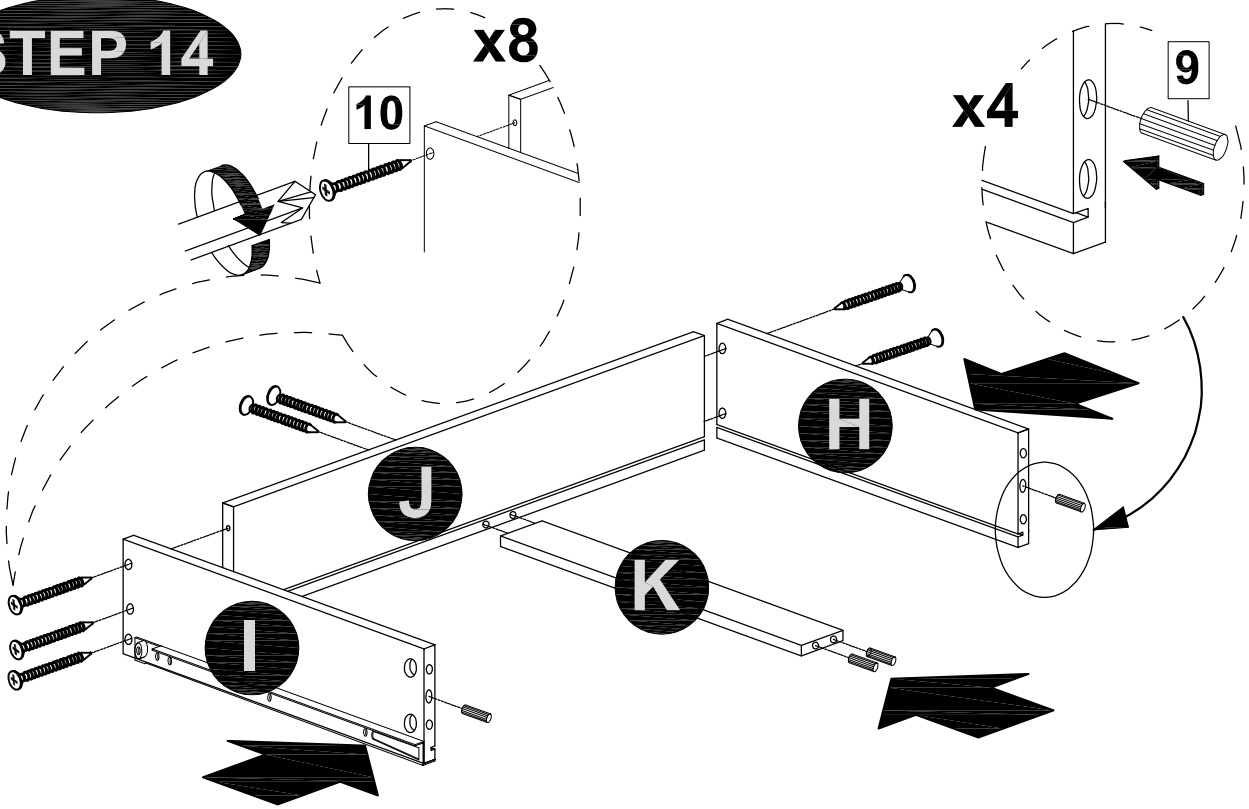
STEP 13



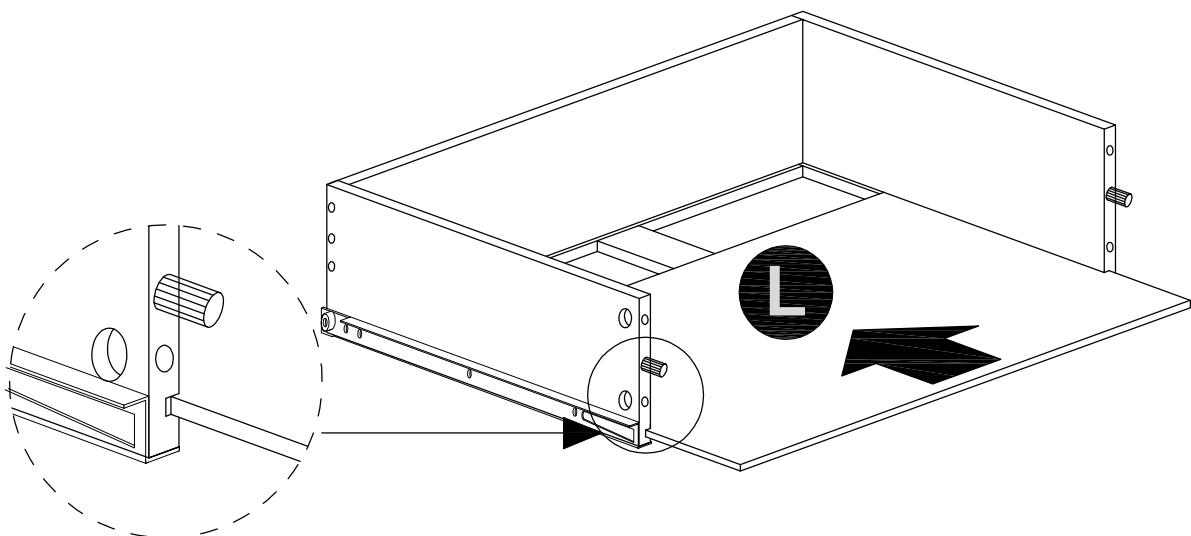
MODEL NAME:

ST 3748-00

STEP 14



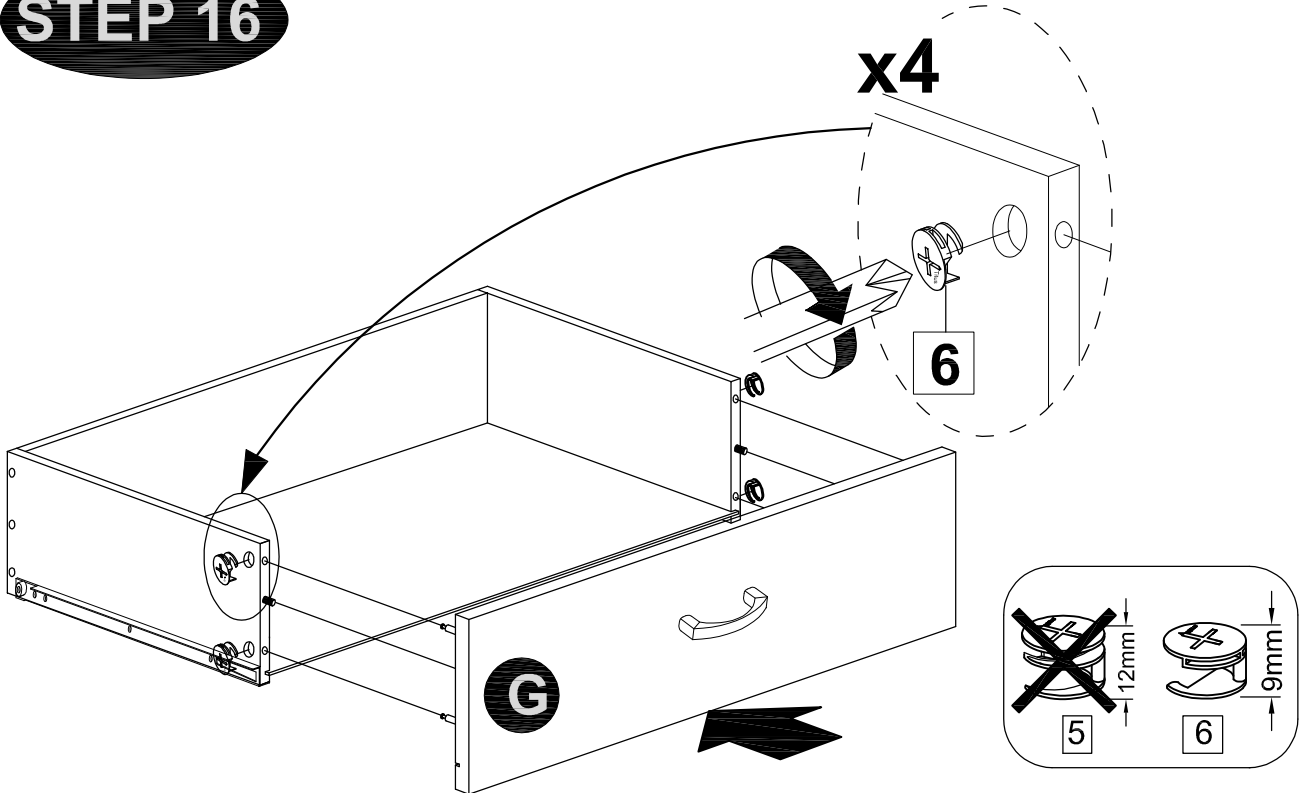
STEP 15



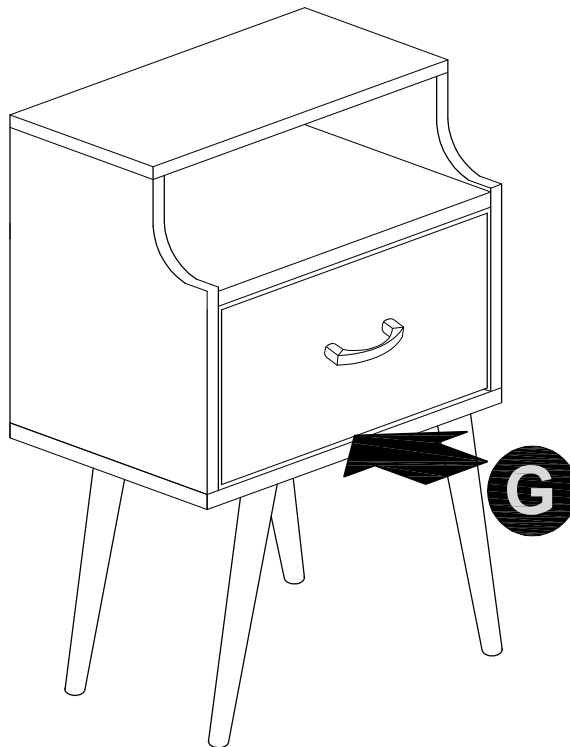
MODEL NAME:

ST 3748-00

STEP 16



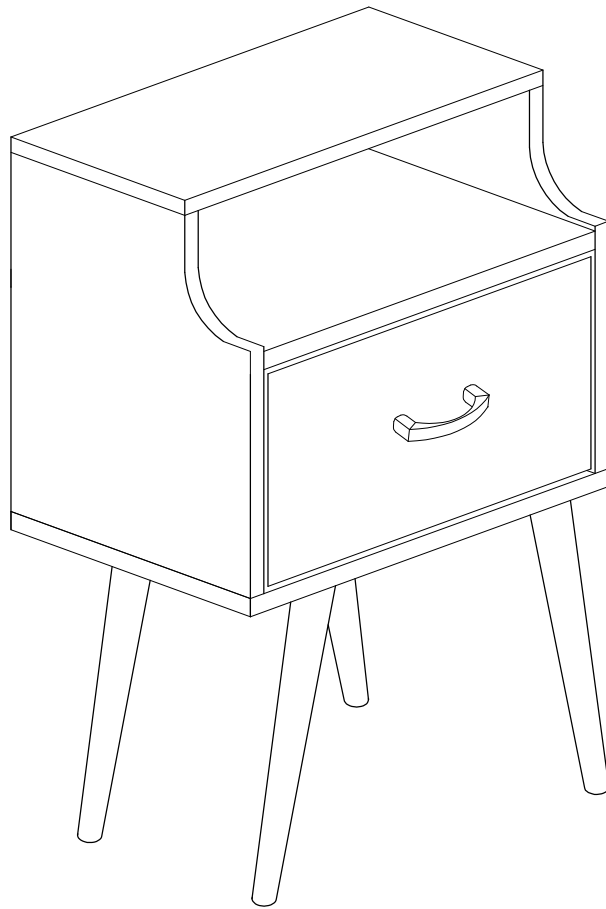
STEP 17



MODEL NAME:

ST 3748-00

STEP 18



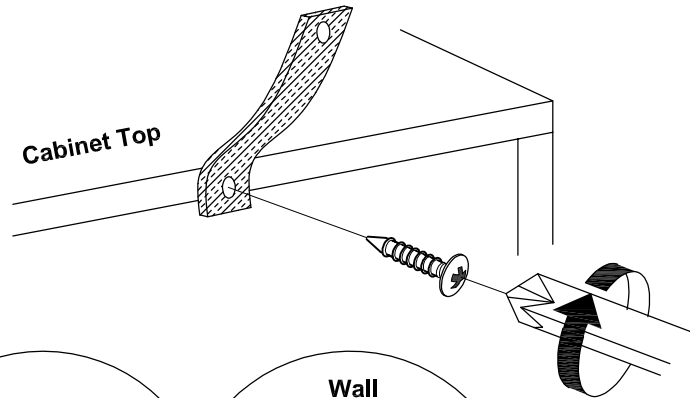
SAFETY WARNING :

It is recommended that you fit the anti-tip bracket to this item to avoid tipping and causing injury.

FITTING OF ANTI-TIP BRACKET

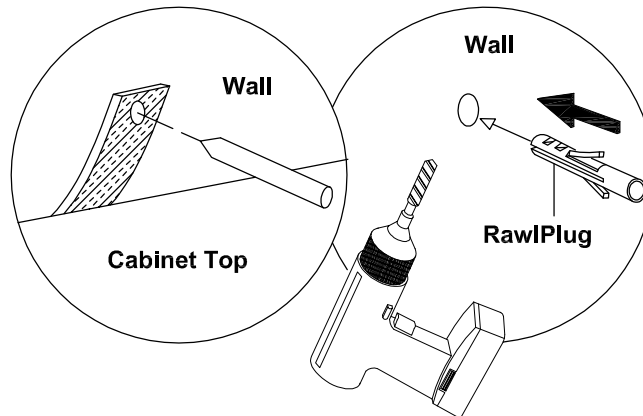
STEP 1 :

Insert screws through bracket into pre-drilled holes in cabinet.



STEP 2 :

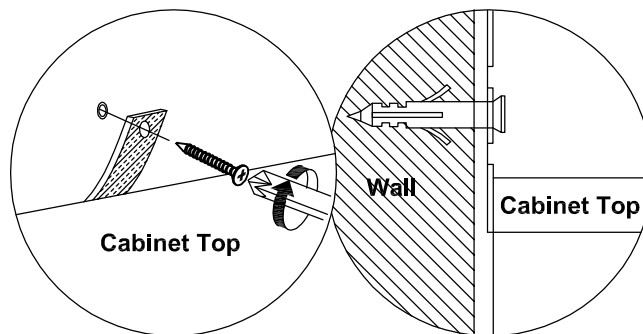
Make a mark on the wall through the bracket.



Drill a hole in the wall and insert the rawlplug.

STEP 3 :

Insert screw through bracket into hole in wall



NOTE : Wall fixings are not supplied with this product as different wall materials require different types of fixing devices (such as Rawl plugs on brick work). You must use fixing devices suitable for the type of wall you intend to mount this product to. Please ensure that the head of any screw used has a diameter greater than the diameter of the mounting hole on the bracket and that the fixing is safe and secure before use.

The screw supplied is to fix the anti-tip strap to the cabinet.

HARDWARE LIST



Anti-Tip Strap - 1pc



M4 x 16MM - 1pc