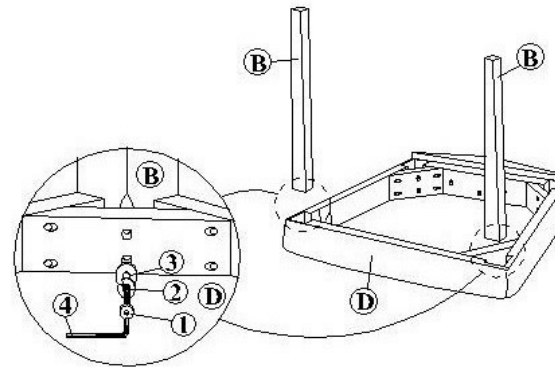


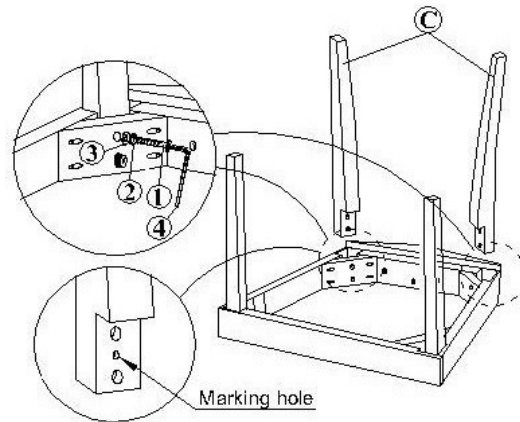
# SPARROW



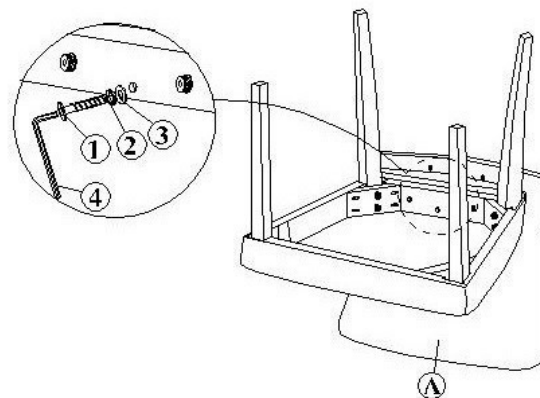
## STEP 1



## STEP 2



## STEP 3



## PRODUCT DESCRIPTION

Read instruction carefully. Remove all wrapping material, Staples and straps from the carton. See Hardware and Furniture Part List for guidance. Be sure you have all parts before you starts assemble. Place all woode furniture part a clean and flat soft surface, such as carpet or rug to prevent from being scratched .

## CAUTION :

KEEP ALL HARDWARE PART OUT OF REACH OF CHILDREN.

## HARDWARE LIST

ITEM	DESCRIPTION	QTY
1	JCBC M6 x 45MM	11 PCS
2	SPRING WASHER M6	11 PCS
3	FLAT WASHER 1/4 x 19	11 PCS
4	M4 ALLEN KEY	1 PC

## PART LIST

ITEM	DESCRIPTION	QTY
A	BACK REST	1 PC
B	FRONT LEG	2 PCS
C	BACK LEG	2 PCS
D	SEAT	1 PC



[www.hinlim.com](http://www.hinlim.com)

ISO 9001:2000  
Certificate No. 2502

