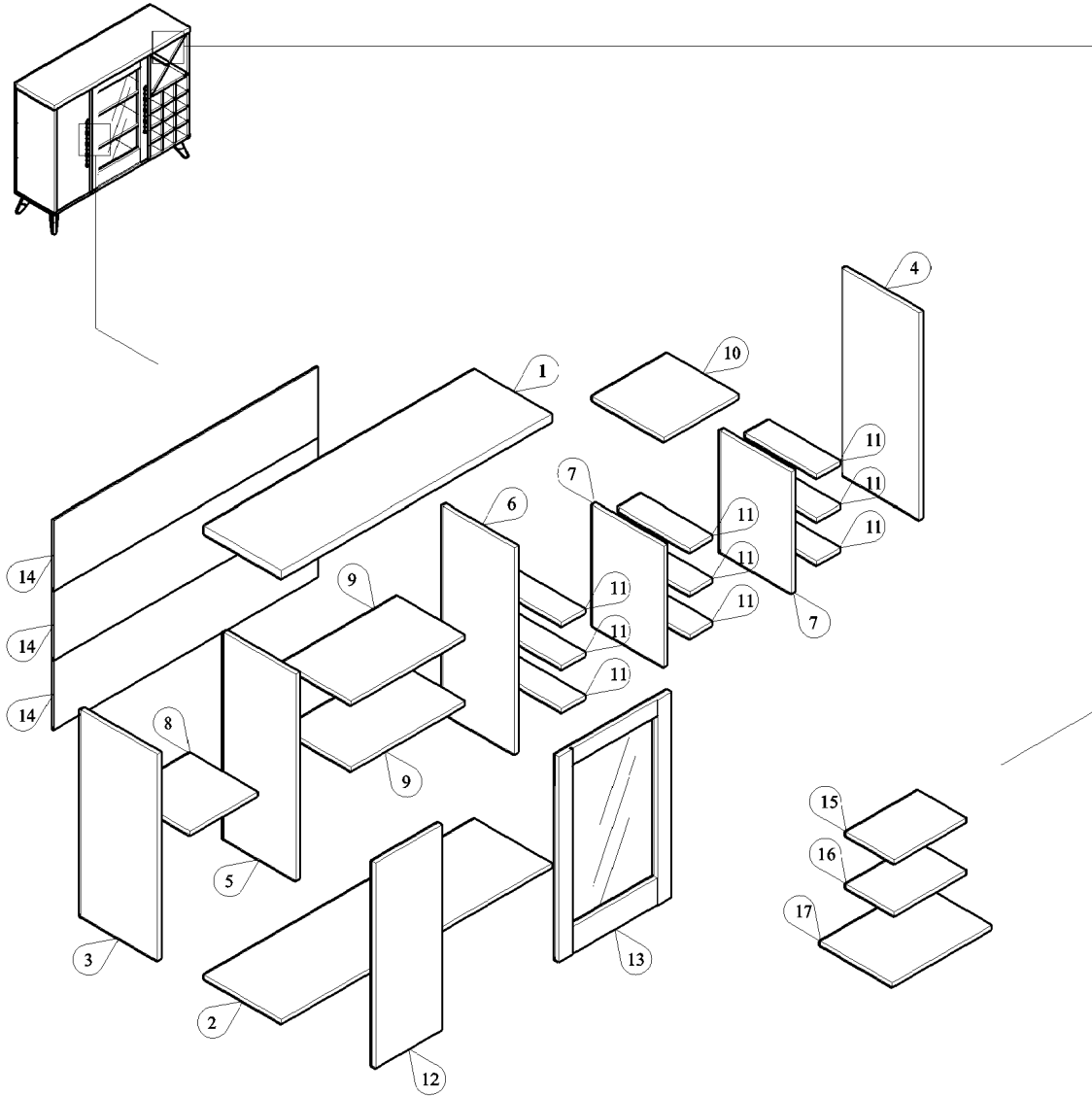
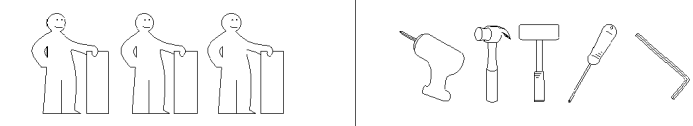


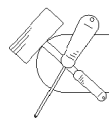
MODEL : SE WC 160071WI-DG/HO

PANEL POSITION



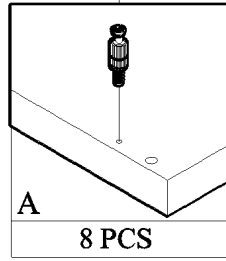
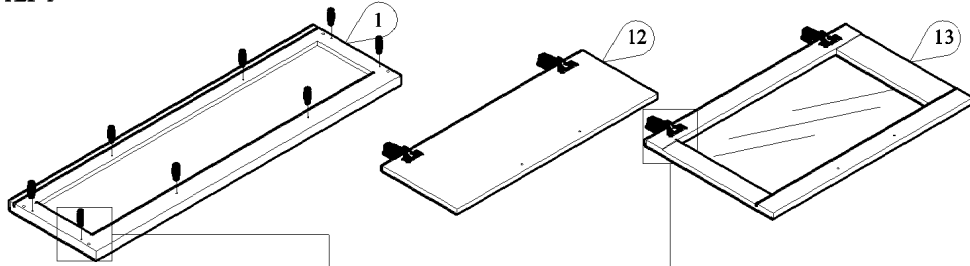
	ACCESSORIES	QUANTITY
A	MINIFIX M5 x 24MM	8 PCS
B	MINIFIX CASING	12 PCS
C	WOOD DOWEL M8 x 30MM	21 PCS
D	IRON SHELF SUPPORT	48 PCS
E	SCREW M6 x 50MM	8 PCS
F	MINIFIX M7 x 64MM	2 PCS
G	HINGES 7/8" SCREW M3.5 x 16MM	4 PCS 24 PCS
H	PVC H RAIL	2 PCS
I	PVC LONG HANDLE SCREW M4 x 28MM	2 PCS 4 PCS
J	PVC HANDLE SCREW M3.5 x 16MM	6 PCS 24 PCS
K	STUB SCREW M3x20MM	4 PCS 4 PCS
L	DAMPER	3 PCS
M	SCREW M3.5 x 16MM	1 PC
N	NYLON CABLE (BLACK)	1 PC
O	WALL PLUG	1 PC
P	SCREW M4 x 28MM	1 PC
Q	WOSE (SMALL)	2 PCS
R	ALLEN KEY	1 PC



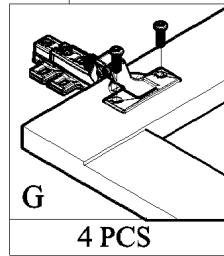


START ASSEMBLY

STEP 1

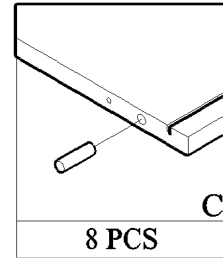
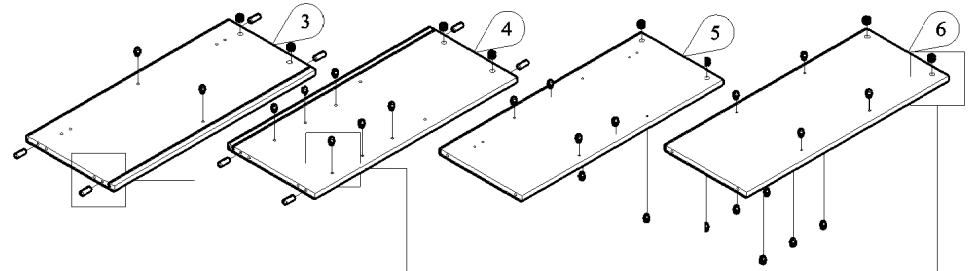


8 PCS

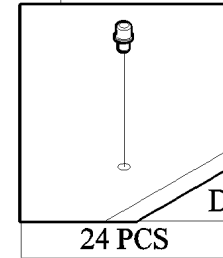


4 PCS

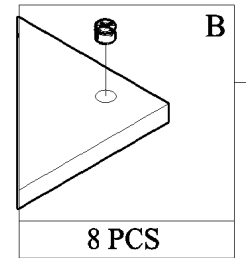
STEP 2



8 PCS

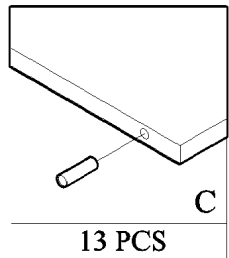
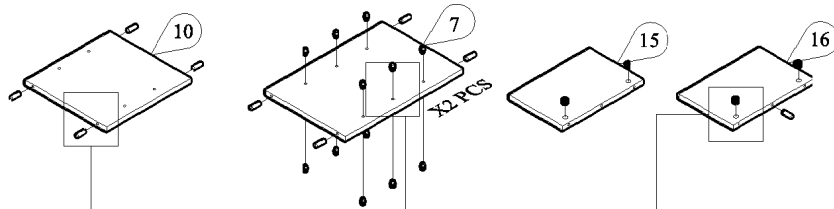


24 PCS

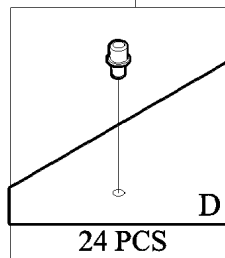


8 PCS

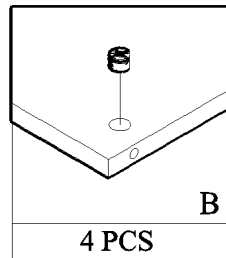
STEP 3



13 PCS

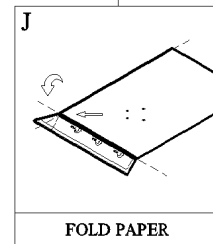
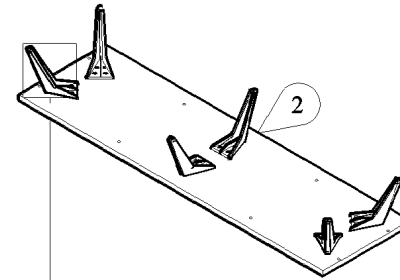


24 PCS

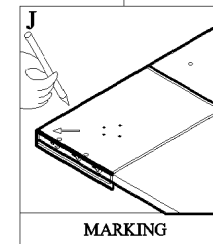


4 PCS

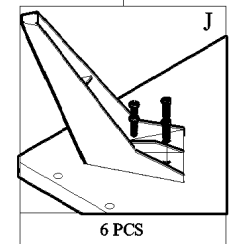
STEP 4



FOLD PAPER

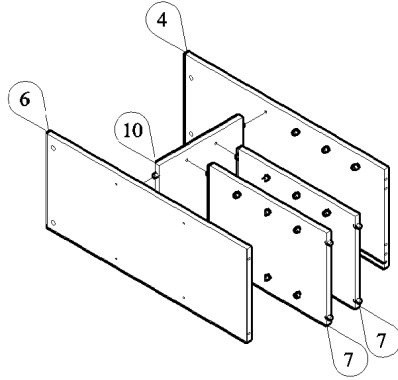


MARKING

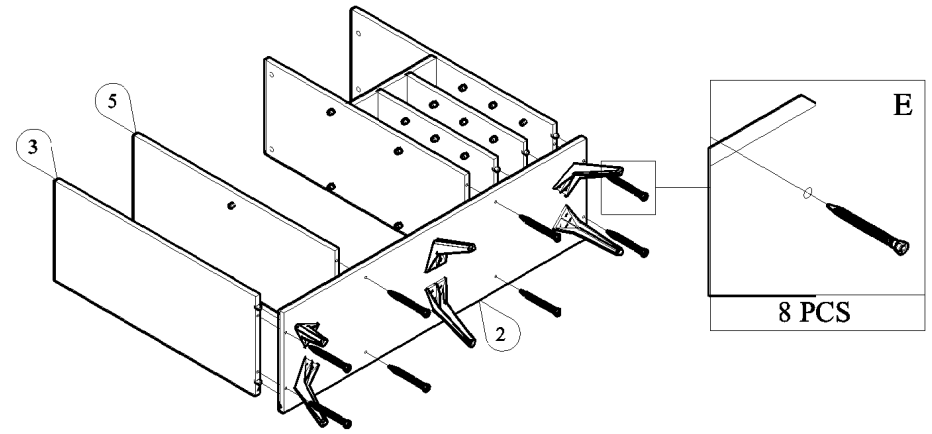


6 PCS

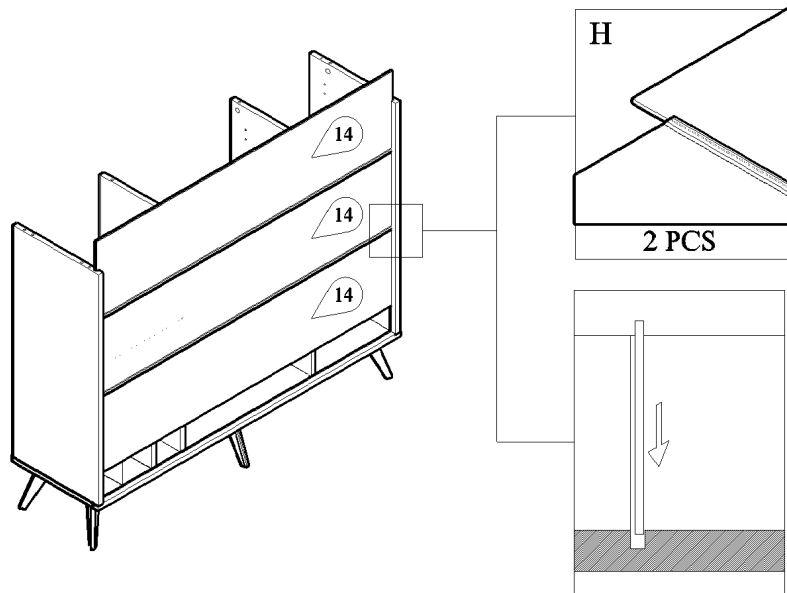
STEP 5



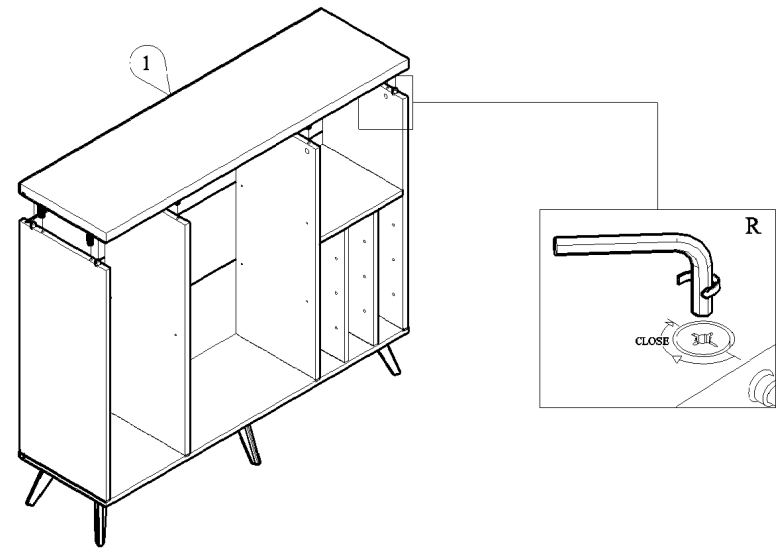
STEP 6



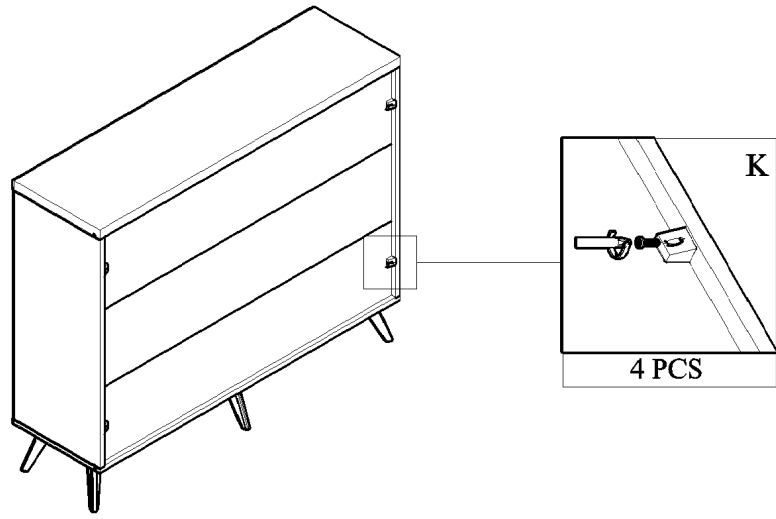
STEP 7



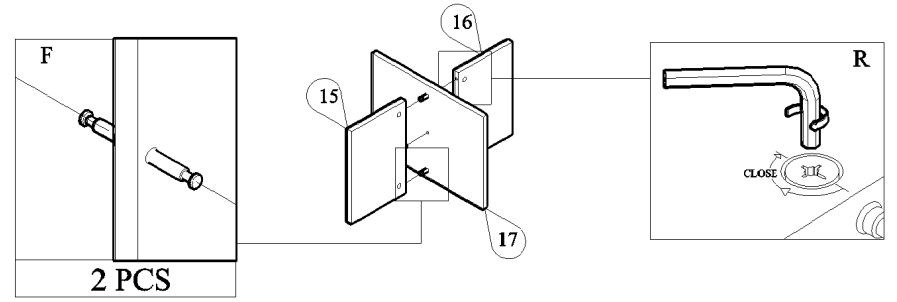
STEP 8



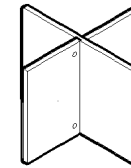
STEP 9



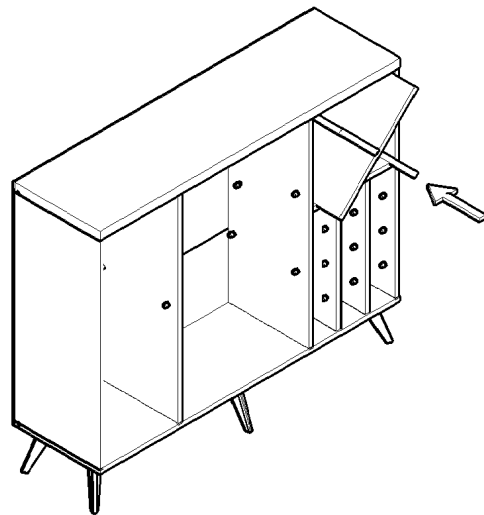
STEP 10



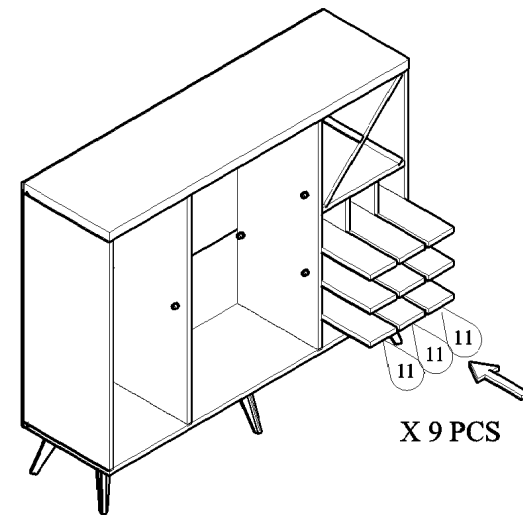
COMPLETED



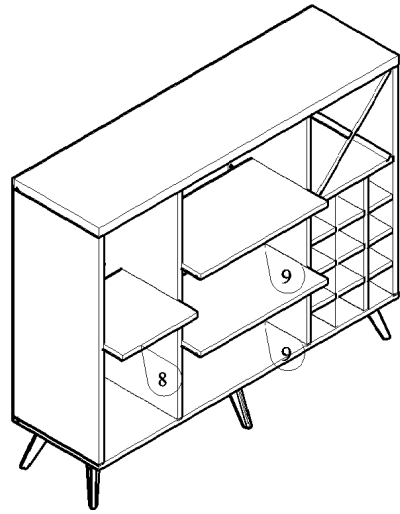
STEP 11



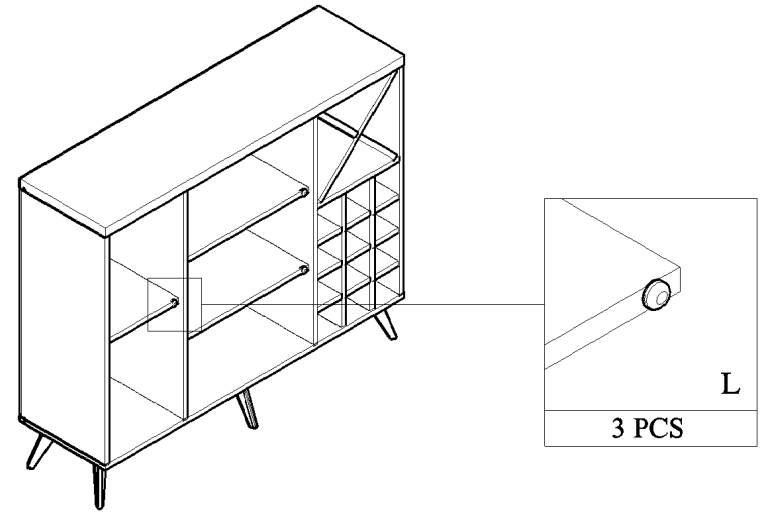
STEP 12



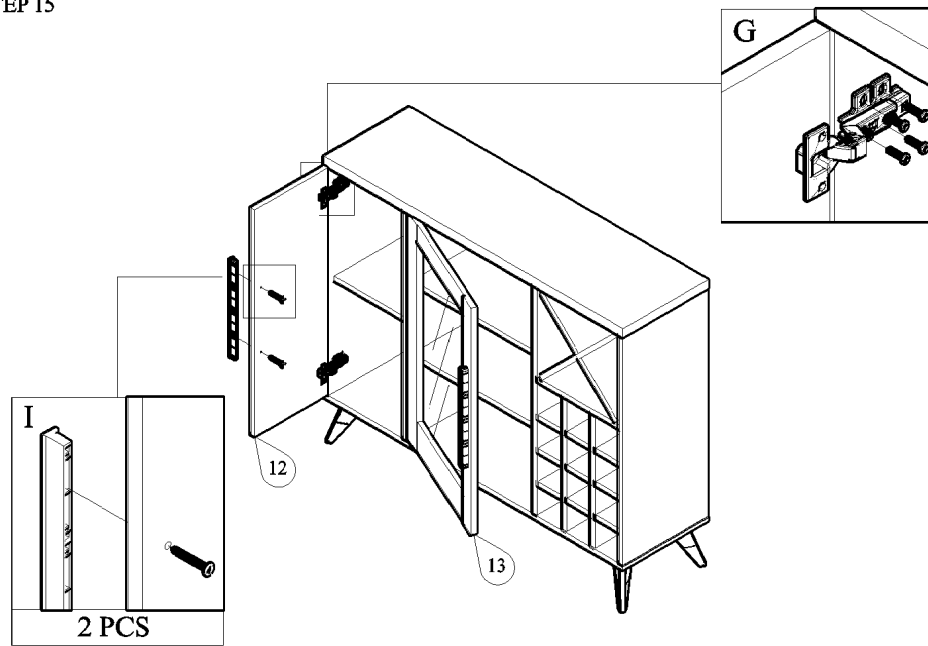
STEP 13



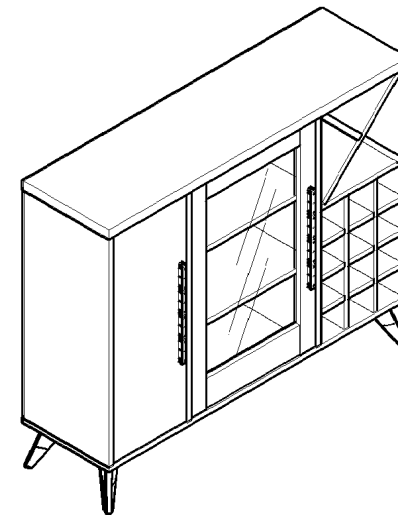
STEP 14



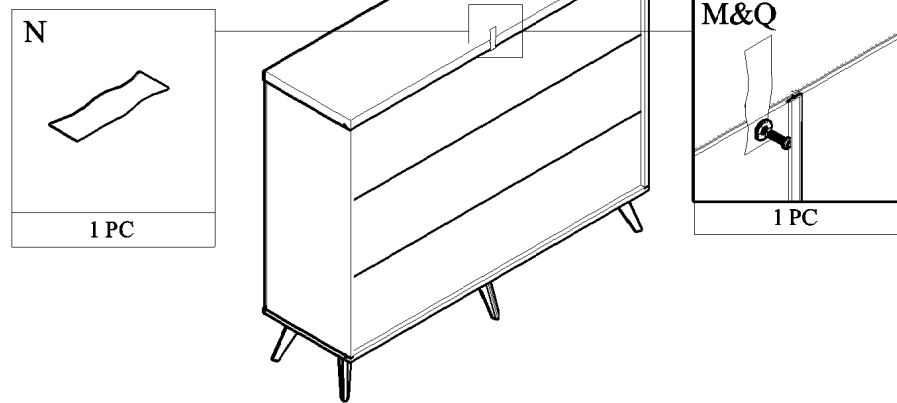
STEP 15



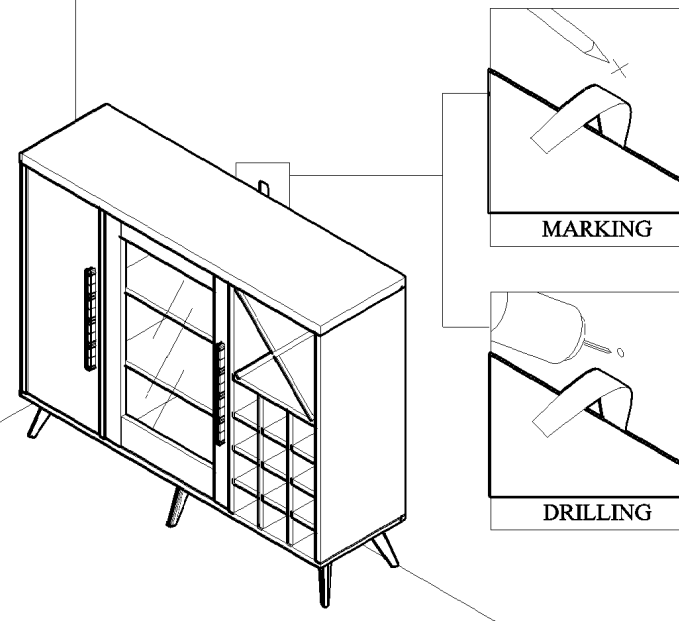
STEP 16



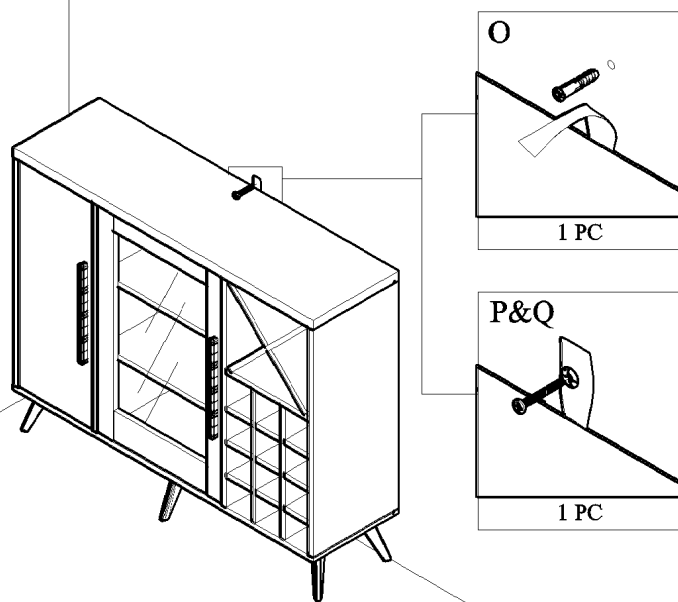
STEP 17 ANTI TIPPERS INSTALLATION



STEP 18



STEP 19



COMPLETED

