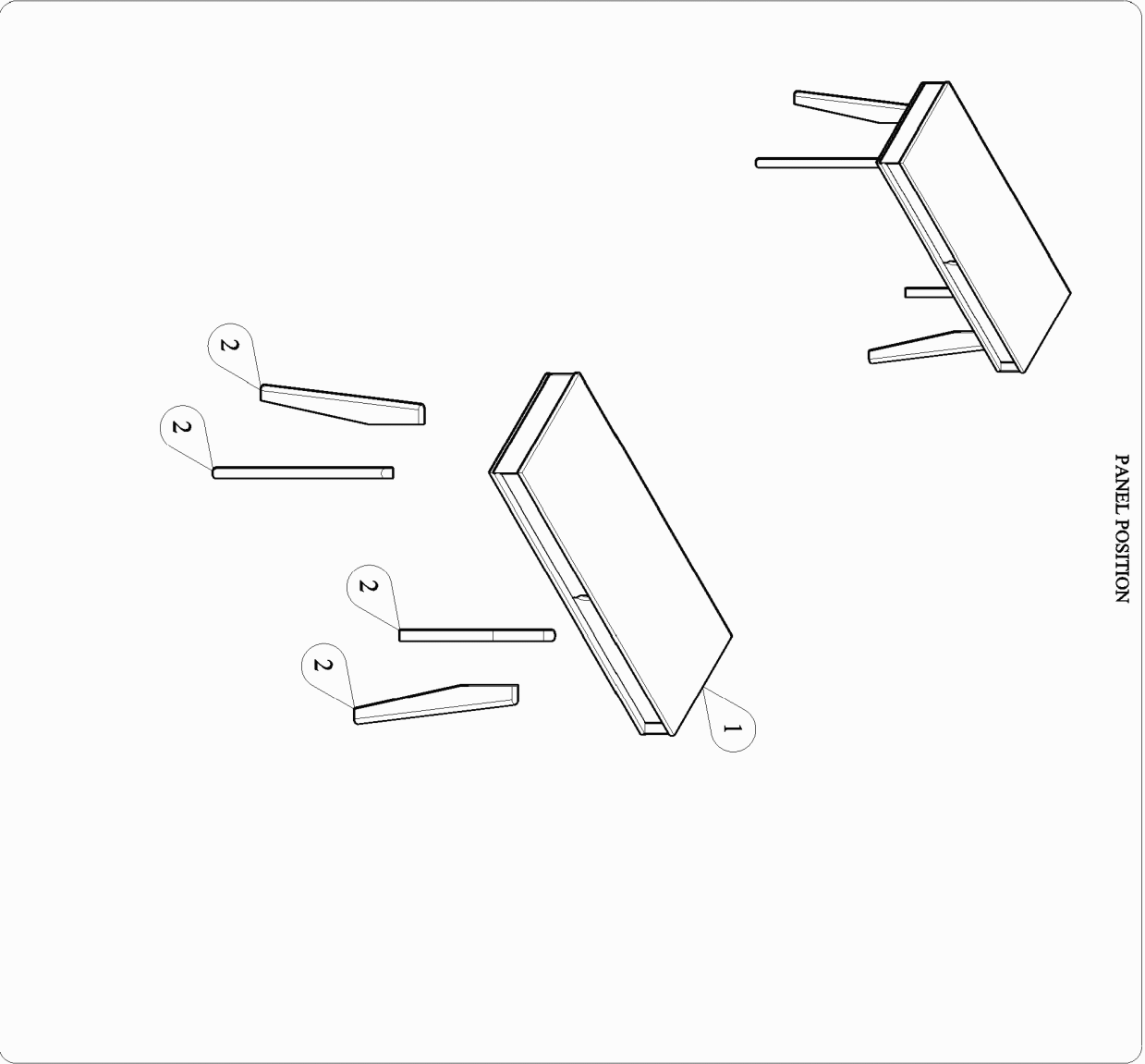








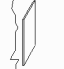
MODEL : SE SD 609-H/O-US

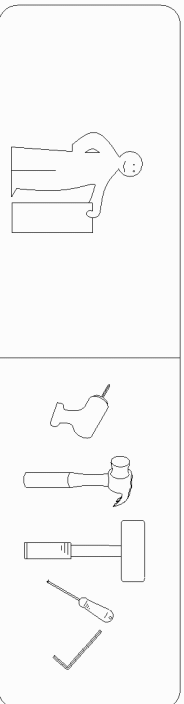
PANEL POSITION



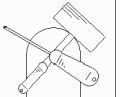
	ACCESSORIES	QUANTITY
A	 SCREW M7x50MM	12 PCS
B	 WHITE LEG PIN	4 PCS
C	 ALLEN KEY	1 PC

--	--

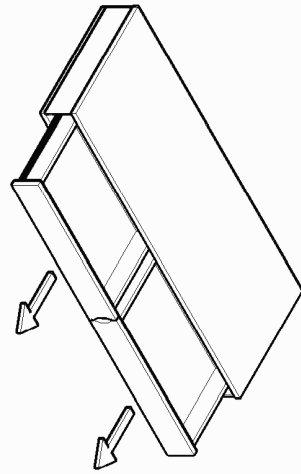
			
CHEMICAL	HANDLE WITH CARE	KEEP DRY	HARD SURFACE



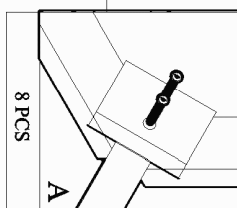
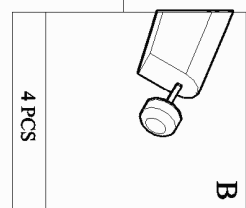
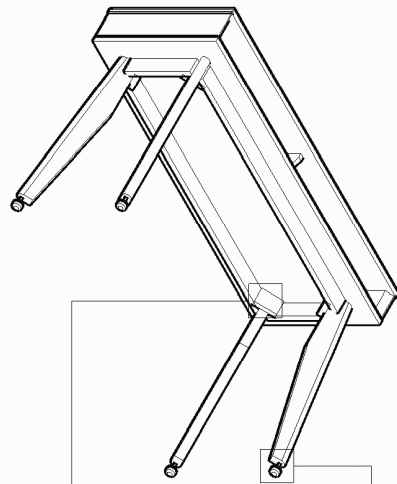
START ASSEMBLY



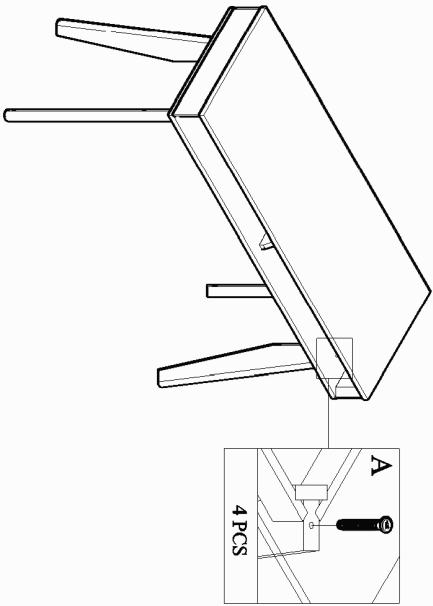
STEP 1



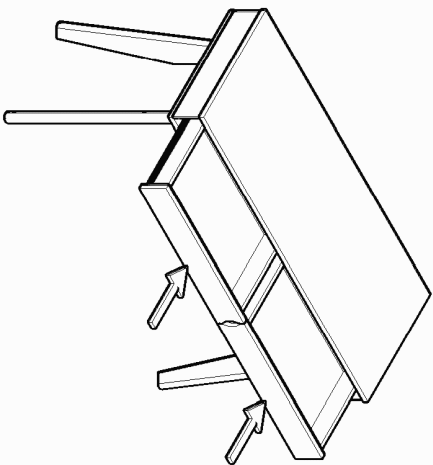
STEP 2



STEP 3



STEP 4



COMPLETED

