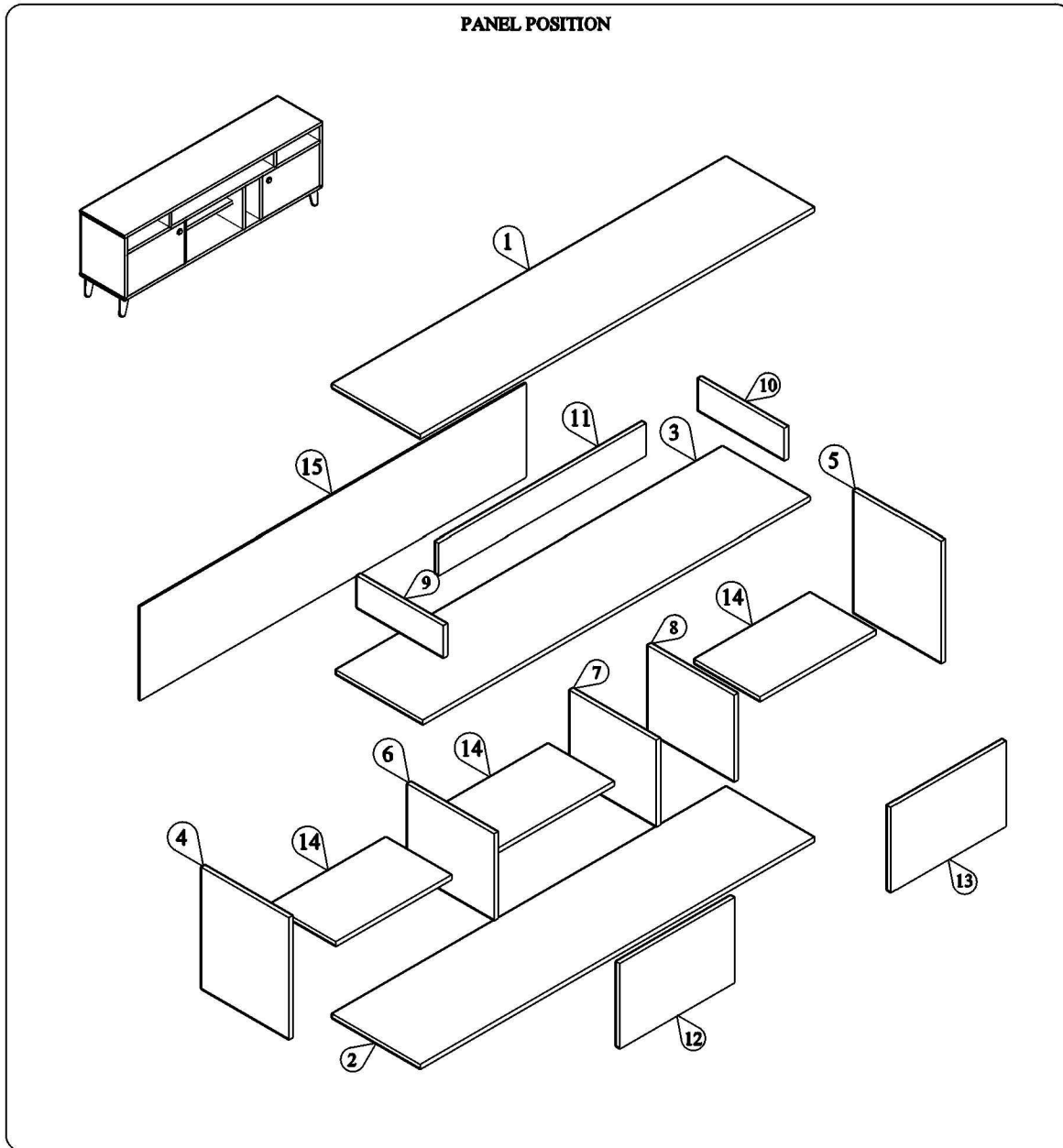













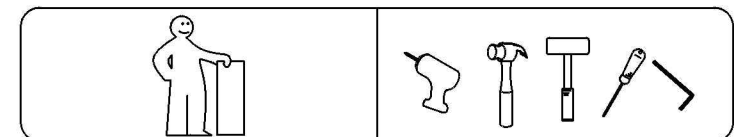
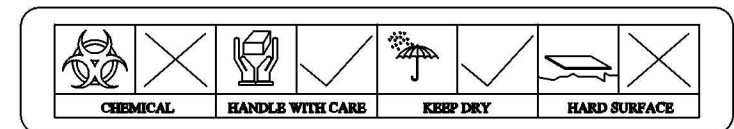


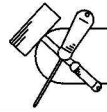
MODEL : SE TV 90131WI-CLB/DG

PANEL POSITION



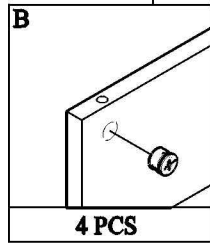
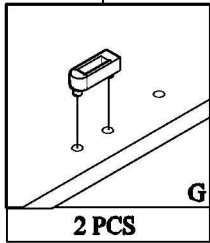
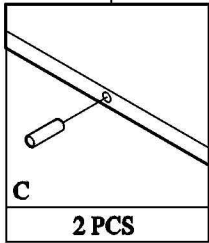
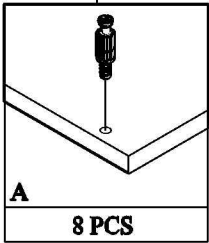
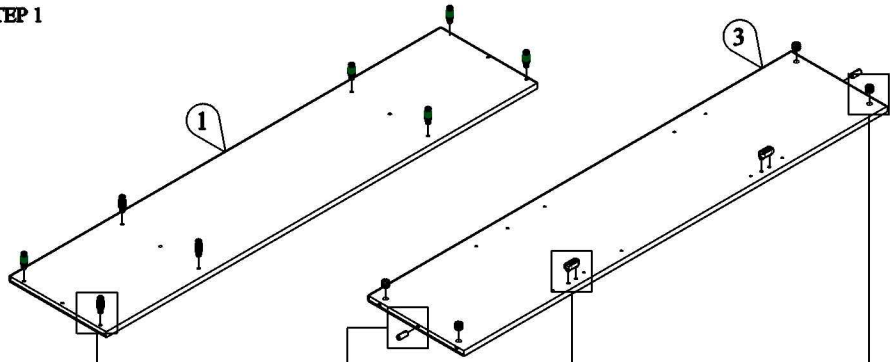
	ACCESSORIES	QUANTITY
A	 MINIFIX M5 x 24MM	12 PCS
B	 MINIFIX CASING	12 PCS
C	 WOOD DOWEL M8 x 30MM	6 PCS
D	 IRON SHELF SUPPORT	12 PCS
E	 SCREW M6 x 50MM	24 PCS
F	 PVC SQUARE KNOB (BLACK) SCREW M4 x 25MM	2 PCS 2 PCS
G	 STOPPER INSERT	2 PCS
H	 HINGES 7/8" SCREW M3.5 x 16MM	4 PCS 24 PCS
I	 ROUND TAPER LEG SCREW M3.5 x 16MM	6 PCS 24 PCS
J	 POWER PIN	30 PCS
K	 ALLEN KEY	1 PC



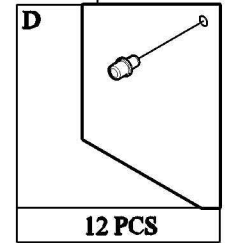
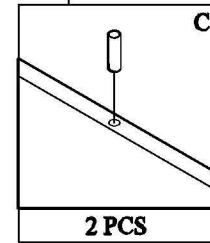
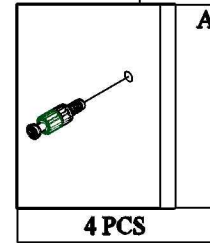
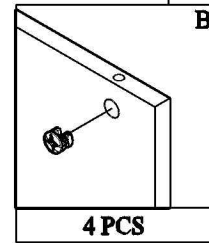
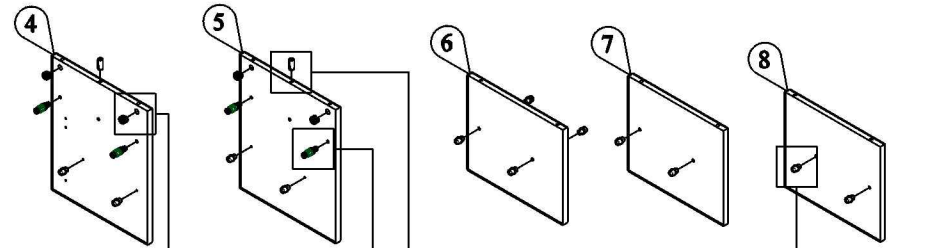


START ASSEMBLY

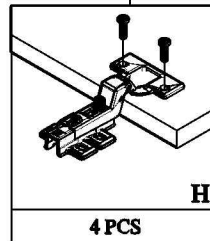
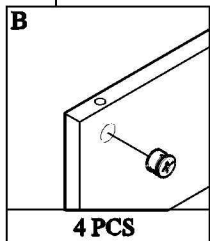
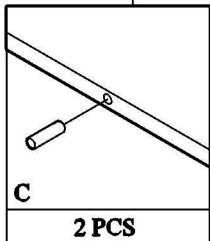
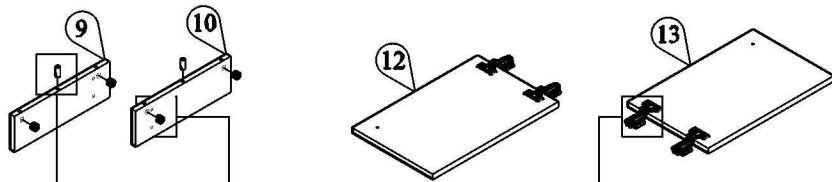
STEP 1



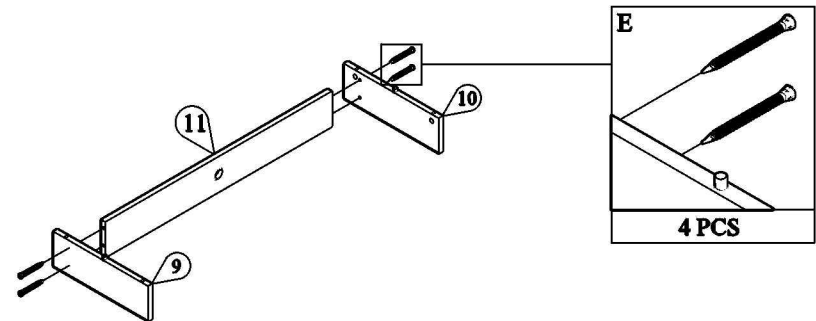
STEP 2



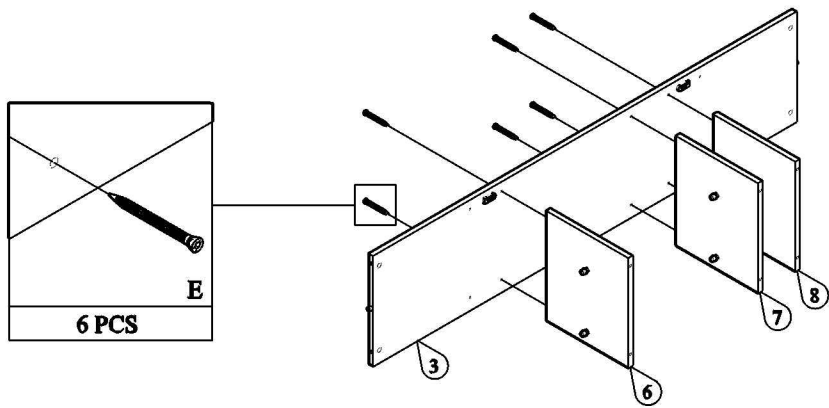
STEP 3



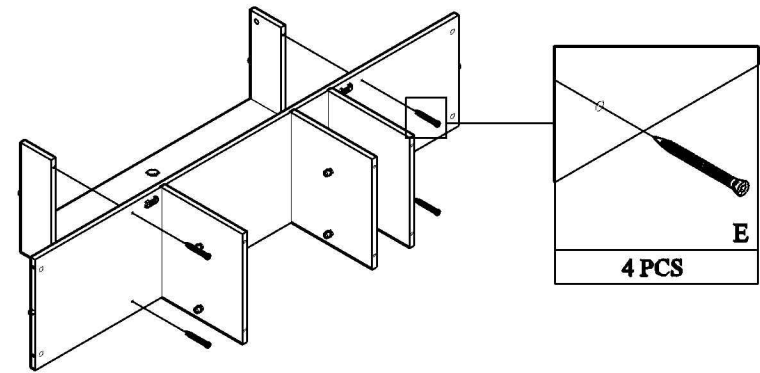
STEP 4



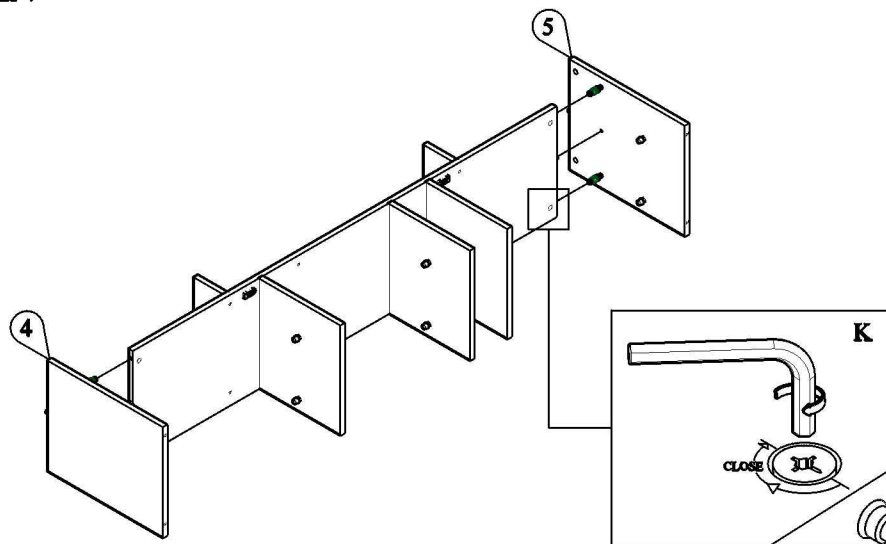
STEP 5



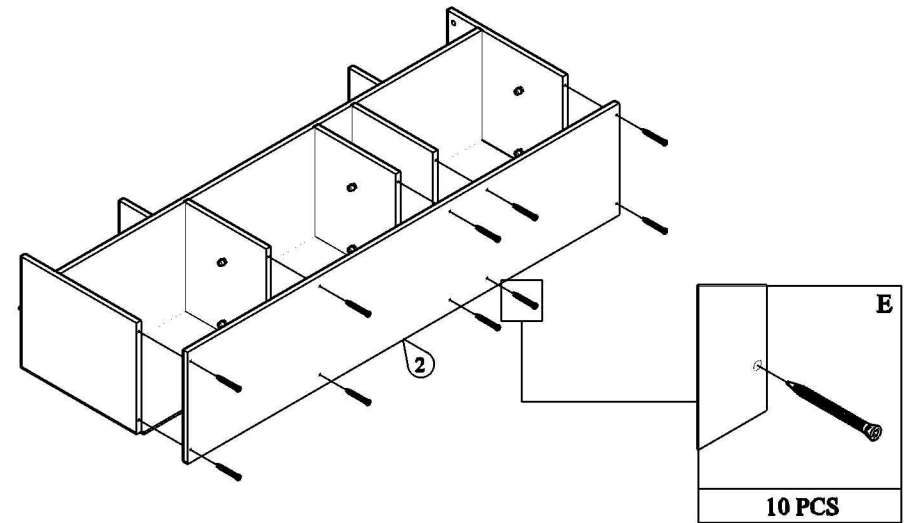
STEP 6



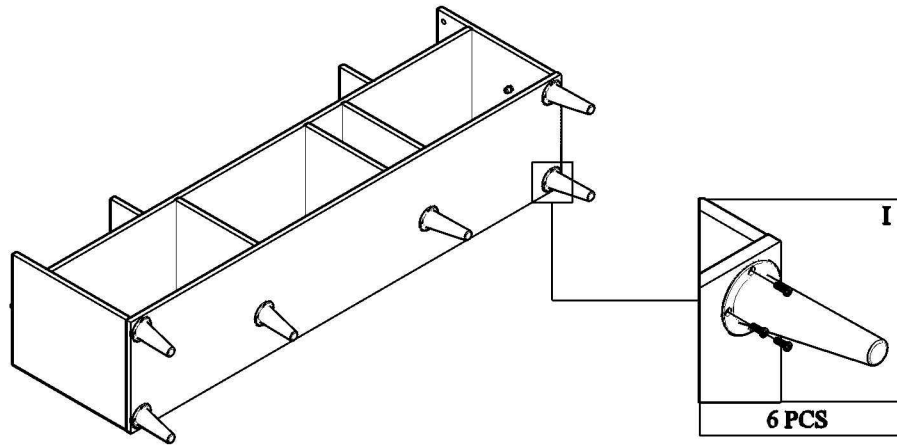
STEP 7



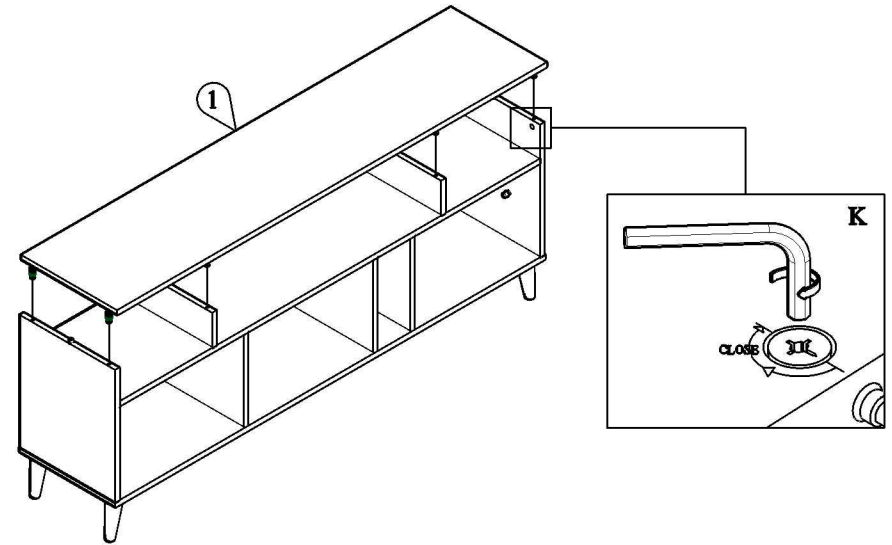
STEP 8



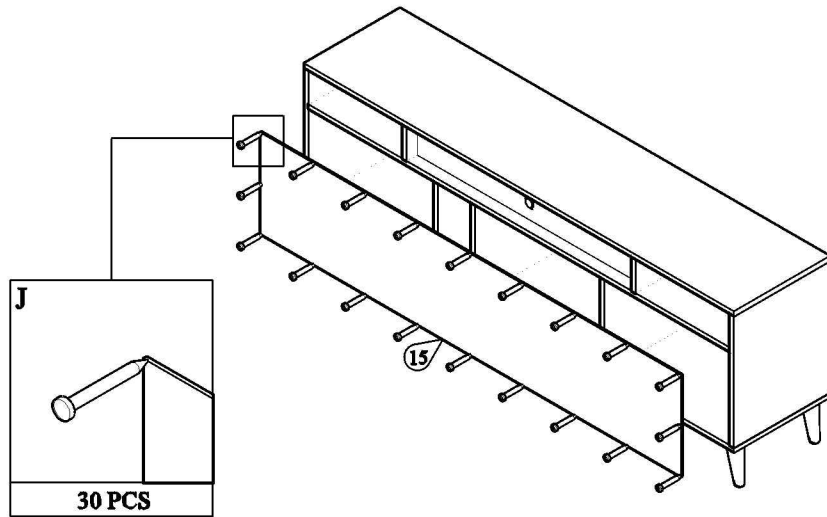
STEP 9



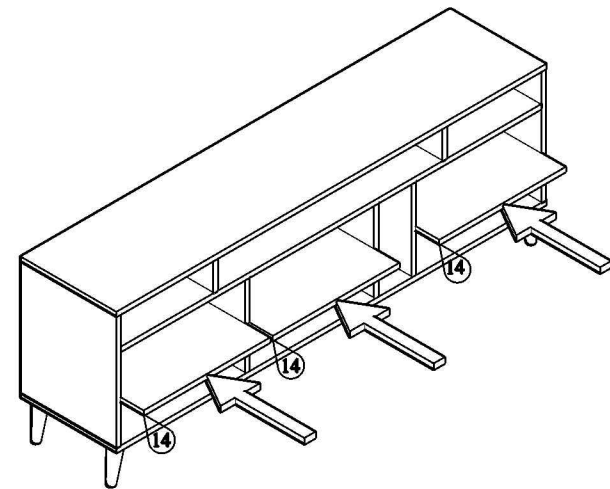
STEP 10



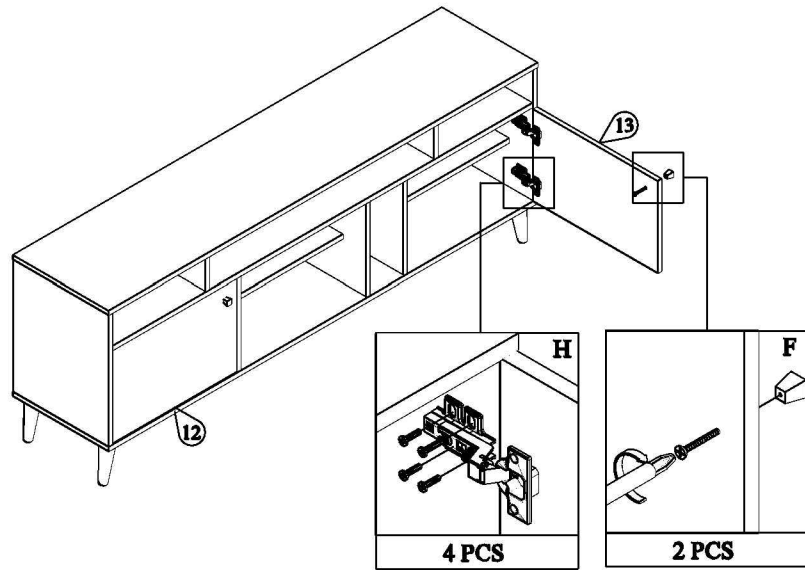
STEP 11



STEP 12



STEP 13



COMPLETED

