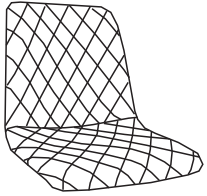


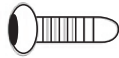
# ASSEMBLING INSTRUCTION

(1) X1

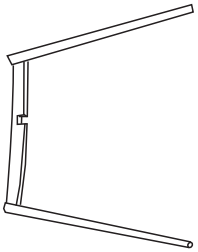


(4) X1

M6\*30MM

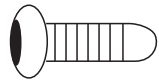


(2) X1

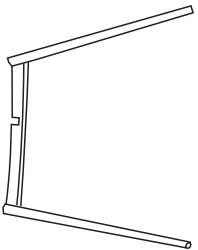


(5) X4

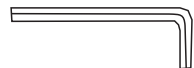
M6\*45MM



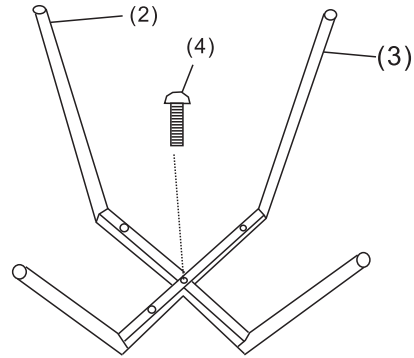
(3) X1



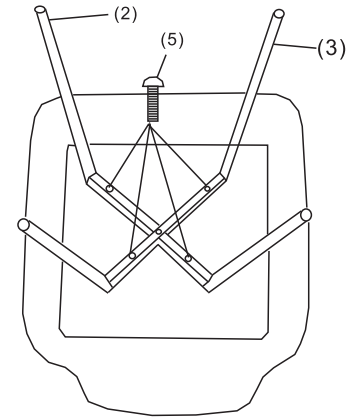
(6) X1



1



2



3

