

ASSEMBLY INSTRUCTION

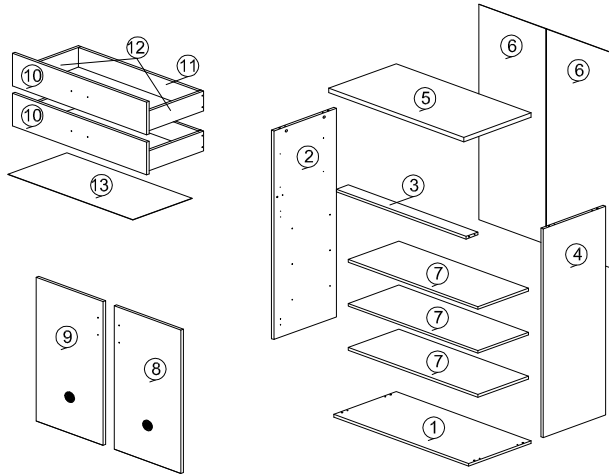
MODEL : SC 864615

DESCRIPTION : 2 DOORS SHOE CABINET

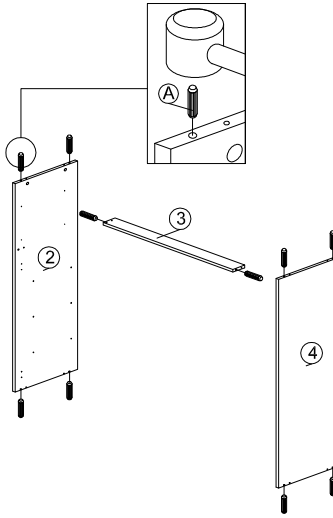
HARDWARE

A WOOD DOWEL 8 X 25 1X10	B 16MM CB SCREW WOOD M3.5X16MM 1X56	C 50MM CSK CAP WOOD M6X50MM 1X4	D NAIL 5/8 1X44	E L KEY 1X1	F METAL SHELF SUPPORT 1X12	G G1 G2 G3 MINIFIX 5654+5546 6 SETS	H HANDLE 5540-128 1X4	I I1 I2 19MM 35MM HANDLE SCREW M4X19MM M4X35MM 1X4 1X4	J HINGES 5/8 4 SETS	K 5038 PVC LEG 1X4	L 38MM CB SCREW M4X38MM 1X16	M M1 M2 DRAWER SLIDE 14" 2 SETS
--	---	---	----------------------------------	------------------------------	---	--	---	--	--------------------------------------	--	--	---

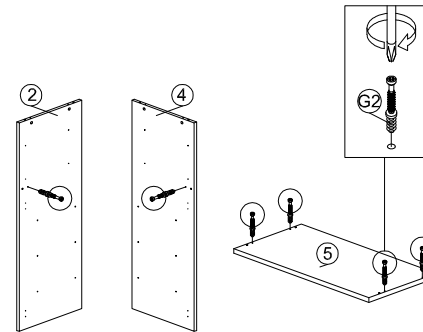
PART LIST



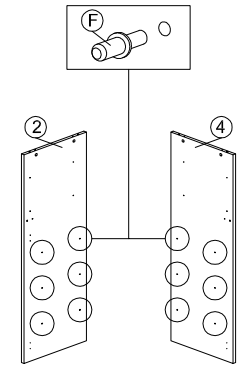
STEP 1



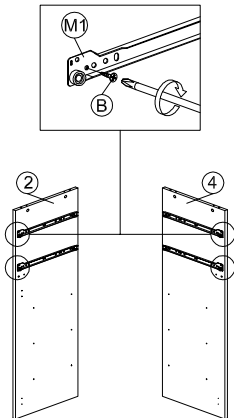
STEP 2



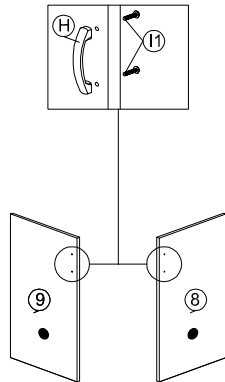
STEP 3



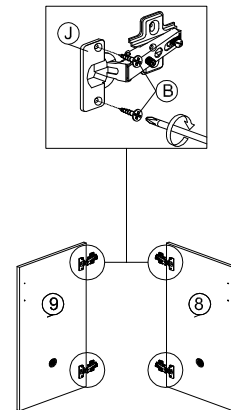
STEP 4



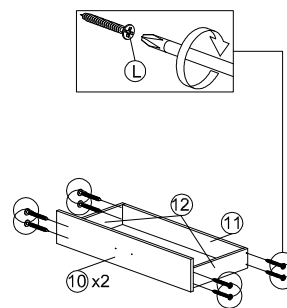
STEP 5



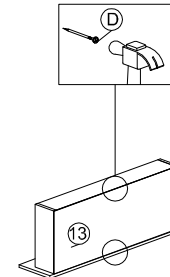
STEP 6



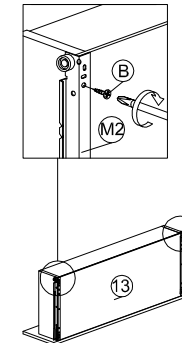
STEP 7



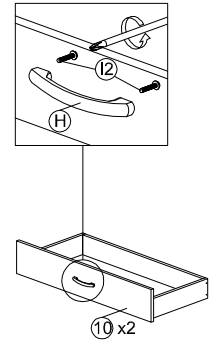
STEP 8



STEP 9

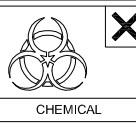


STEP 10

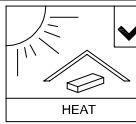




SOFT, DRY CLOTH



CHEMICAL



HEAT



KEEP DRY



HANDLE WITH CARE



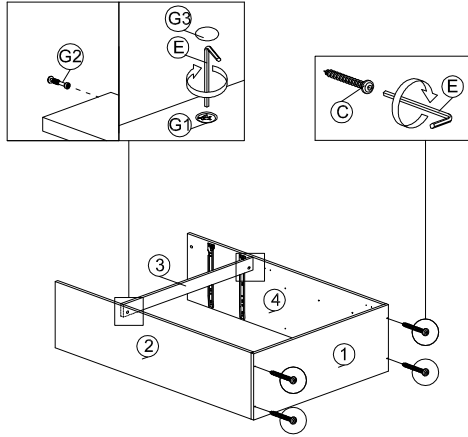
DO NOT USE KNIFE

ASSEMBLY INSTRUCTION

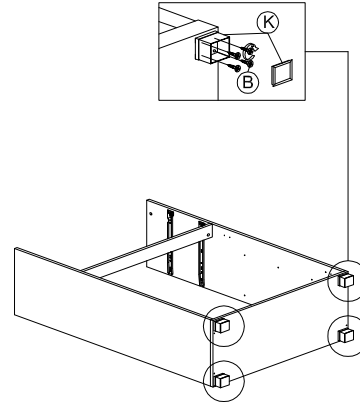
MODEL : SC 864615

DESCRIPTION : 2 DOORS SHOE CABINET

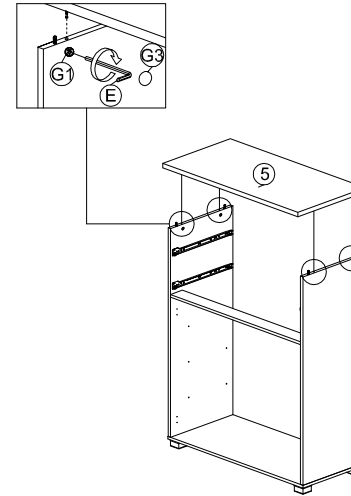
STEP 11



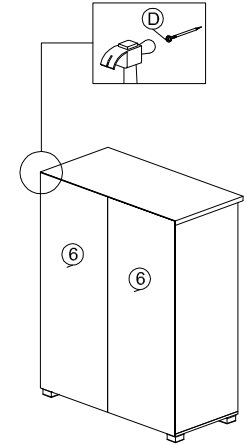
STEP 12



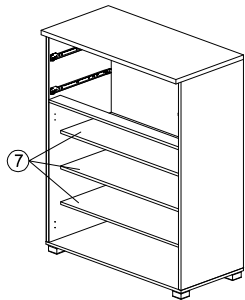
STEP 13



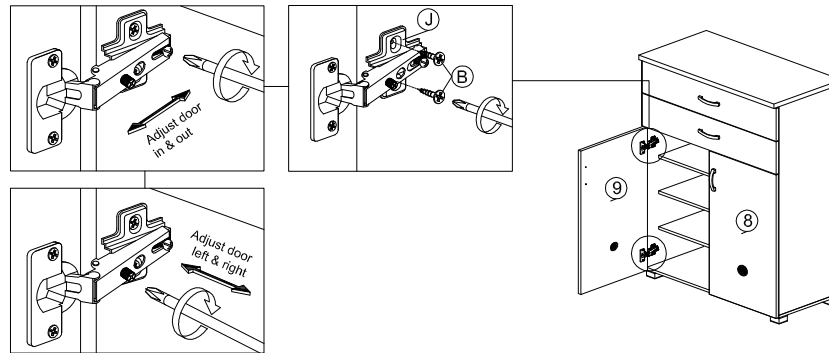
STEP 14



STEP 15



STEP 16



COMPLETED

