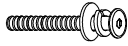



ASSEMBLY INSTRUCTIONS

MODEL : REECE DINING CHAIR

- IMPORTANT NOTE :**
- * PLACE ALL WOODEN PARTS ON A CLEAN AND SMOOTH SURFACE SUCH AS A RUG OR CARPET TO AVOID THE PARTS FROM BEING SCRATCHED.
 - * BEFORE YOU BEGIN, KINDLY FOLLOW THE ASSEMBLY INSTRUCTIONS STEP BY STEP.
 - * DO NOT TIGHTEN ALL SCREWS UNTIL THE CHAIR IS FULLY SET-UP.

HARDWARE LIST		PART LIST			
A	JCBC M6 x 50mm + S/W M6 + F/W M6 x 19mm 	8PCS	1	FRONT LEG (RIGHT)	1PC
			2	FRONT LEG (LEFT)	1PC
			3	BACK LEG (LEFT)	1PC
B	ALLEN KEY M4 	1PC	4	BACK LEG (RIGHT)	1PC
			5	CUSHION CHAIR	1PC

CAUTIONS :

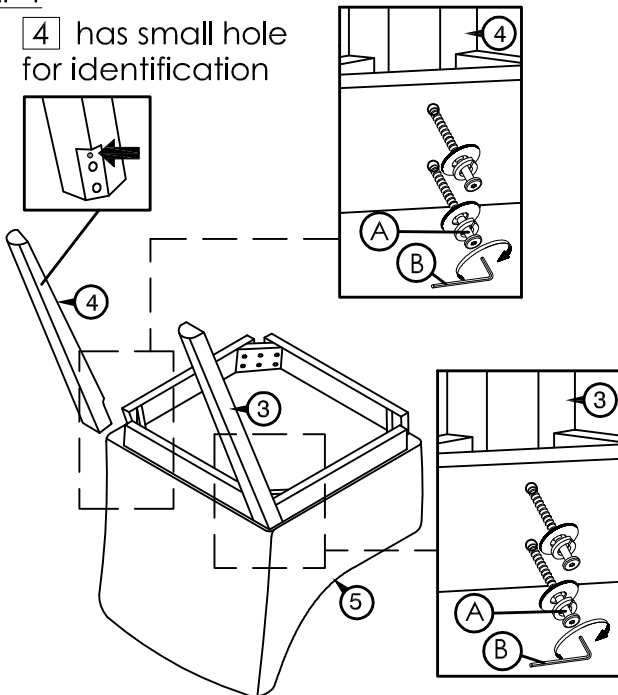
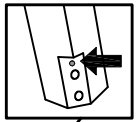
(1) **DO NOT FULLY-TIGHTEN THE NUT OR NUT BOLTS INITIALLY UNTIL ALL NUTS OR BOLT IS READY ASSEMBLED.**

(TO AVOID CAUSING DAMAGES TO THE THREAD, DO NOT OVER-TIGHTEN THE NUTS OR BOLTS.)

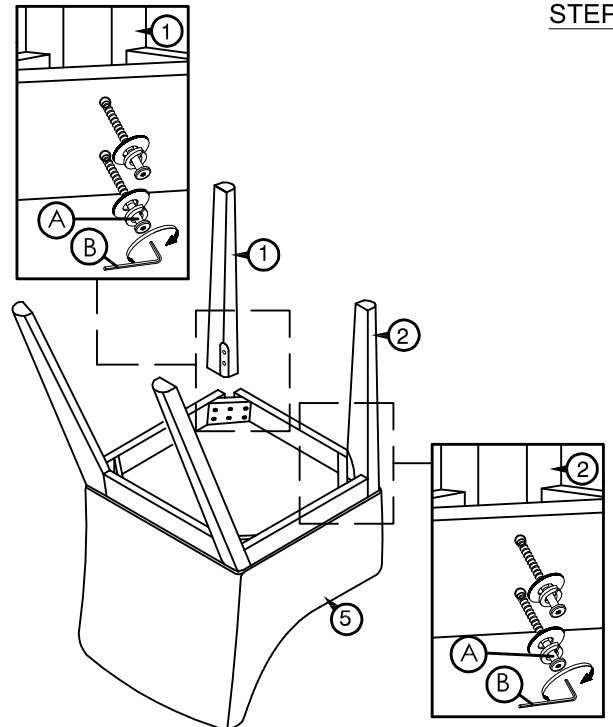
(2) **KEEP ALL HARDWARE PART OUT OF REACH OF CHILDREN.**

STEP 1

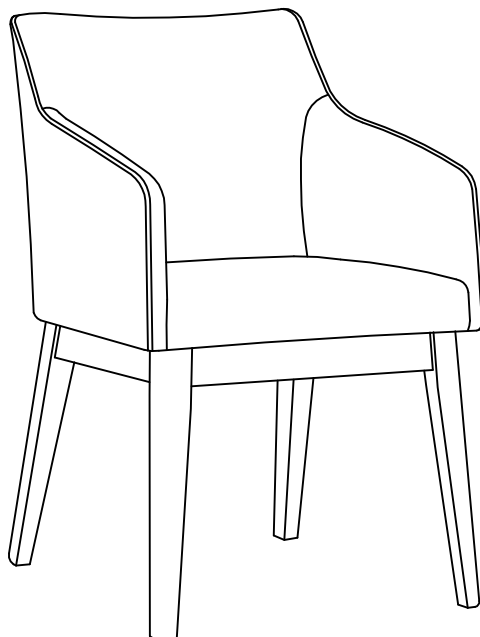
4 has small hole for identification



STEP 2



STEP 3



COMPLETED CHAIR ASSEMBLY.