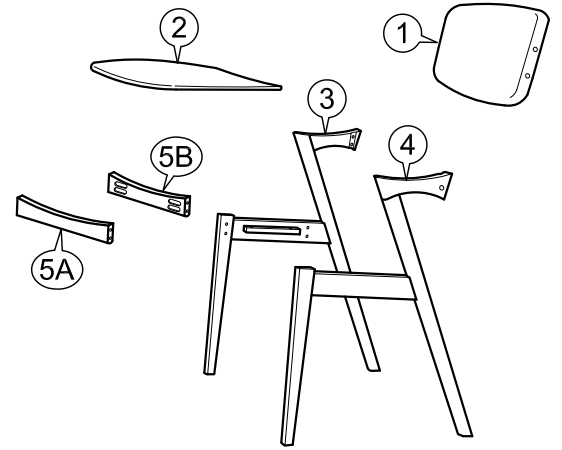
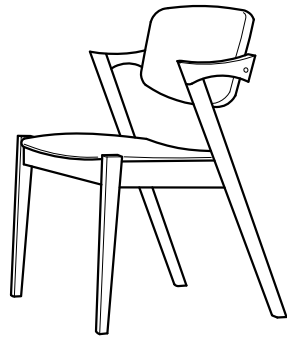
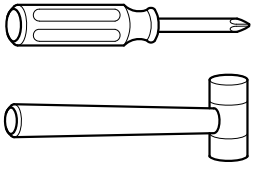


# ASSEMBLY INSTRUCTIONS

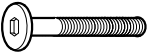
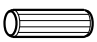

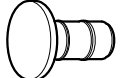



## Item : ELEGANT DINING CHAIR

### Part List :

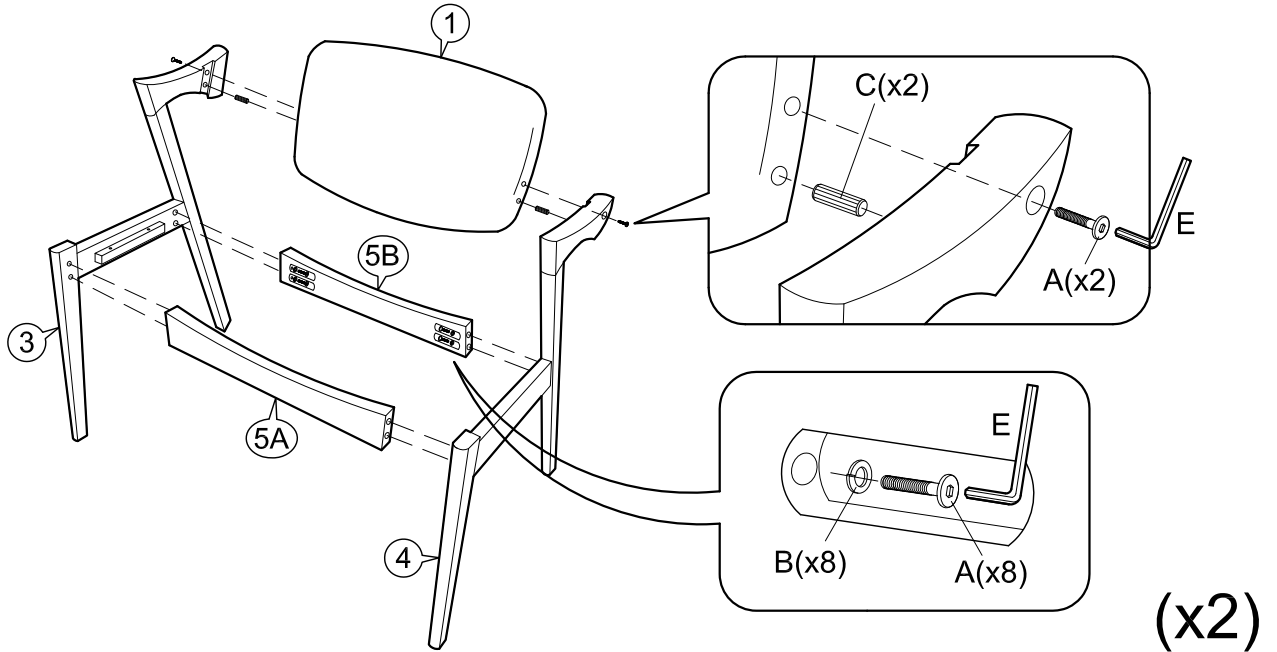


Not Provided

### Hardware List

<b>A</b>  M6 x 45mm = 20	<b>C</b>  M8 x 30mm = 4	<b>E</b>  M4 x 110mm = 1	<b>G</b>  = 8
<b>B</b>  5/16" = 16	<b>D</b>  M4 x 25mm = 8	<b>F</b>  14.5Ø = 4	

1



2

